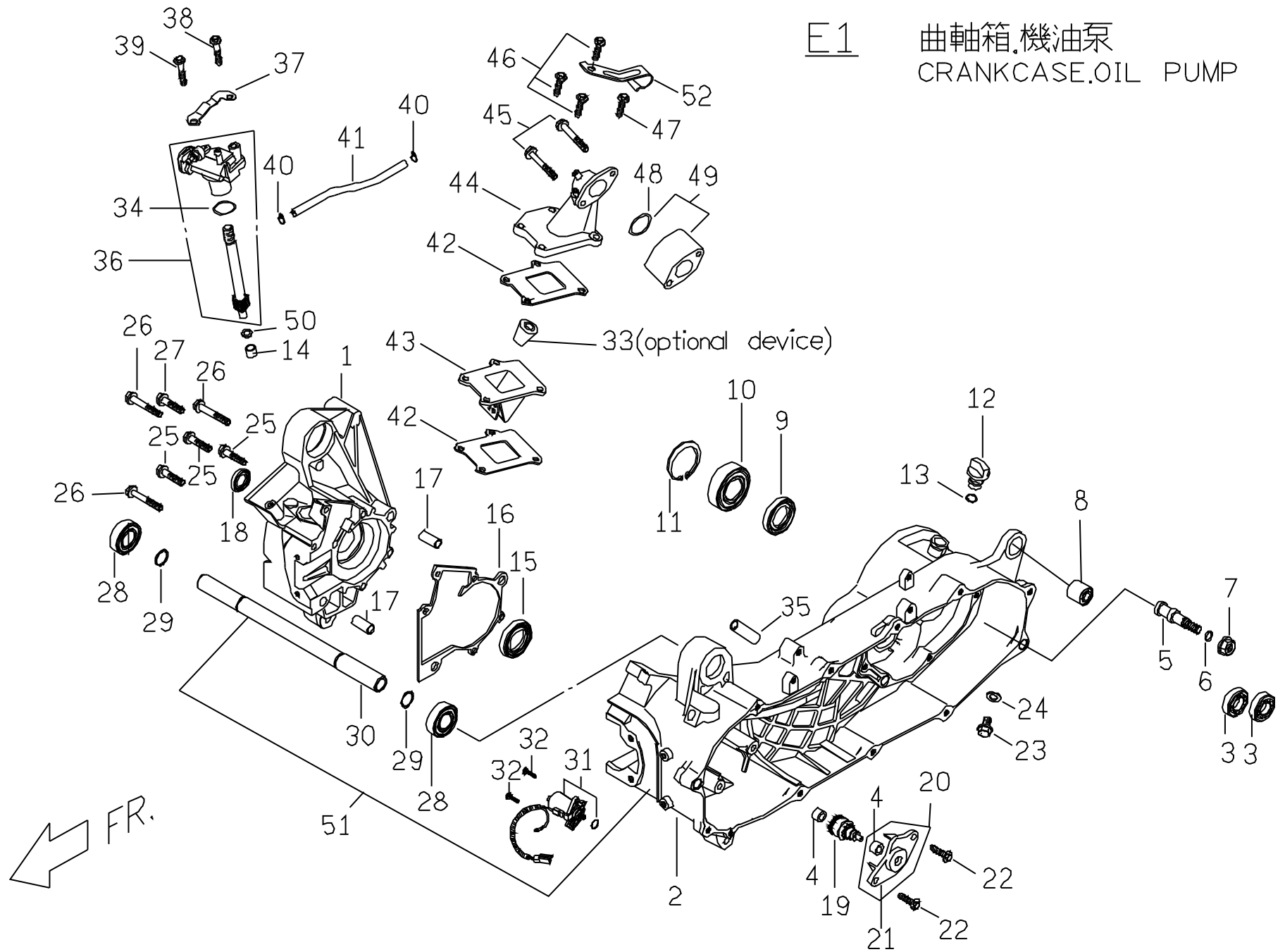


E1

曲軸箱機油泵  
CRANKCASE OIL PUMP



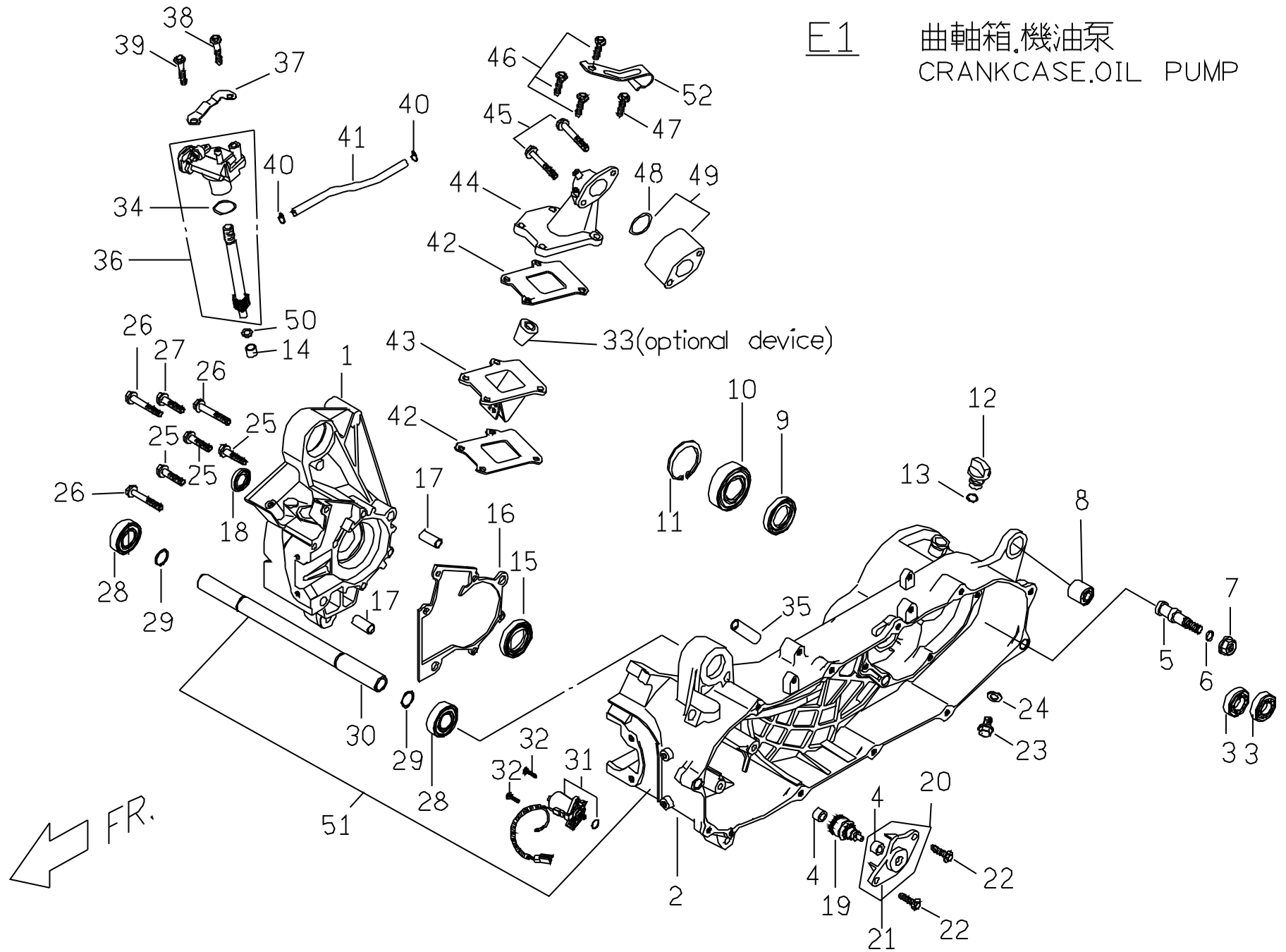
## E1 CRANKCASE / \_\_\_\_\_

## AVAILABLE FOR BUDDY 50

No.	Part No.	Q'TY	PART NAME	PART NAME	REMARK	FMSP (Y/N)
1	P5061000000	1		RH. CRANKCASE		
2	P5062010000	1		LH. CRANKCASE	W/H SAI	
3	96510620000	2	( 6200 )	BALL BEARING		Y
4	E1062130000	2		BUSH	NOT SUPPLIED	
5	P1407430000	1		PIVOT,RR. BRAKE SHOE		
6	95510800000	1	O ( 7.5*1.5 )	O RING		
7	92040800000	1	( M8 )	HEXAGON FLANGE NUT		
8	P1062020000	1		RUBBER BUSH		
9	95572540700	1	TC D40*D24.5*7	OIL SEAL TC TYPE		Y
10	96530620400	1	( 6204 )	BALL BEARING DOUBLE SEALED		
11	92164700000	1	C	RETAINING RING C TYPE		
12	P1062150000	1		OIL BOLT		
13	95511400000	1	O	O RING		
14	E1061030000	1		OIL PUMP BUSH		
15	95572038700	1	TC D38*D19*7	OIL SEAL TC TYPE		
16	P1061041000	1		CRANKCASE GASKET		Y
17	93541002300	2		LOCK PIN		
18	95571525700	1	TC D15*D25.5*7	OIL SEAL TC TYPE		Y
19	E1242000000	1		IDLE GEAR COMP., STARTER		Y
20	P1242111000	1		FIXED PLATE STARTER COMP.		
21	NA	1		FIXING PLATE	NOT SUPPLIED	
22	90180602000	2		HEXAGON FLANGE BOLT		
23	90190801200	1		HEXAGON FLANGE BOLT		
24	92140800001	1		WASHER		
25	90190604500	3		HEXAGON FLANGE BOLT		
26	90190606000	3		HEXAGON FLANGE BOLT		
27	90190602700	1		HEXAGON FLANGE BOLT		

E1

曲軸箱機油泵  
CRANKCASE OIL PUMP

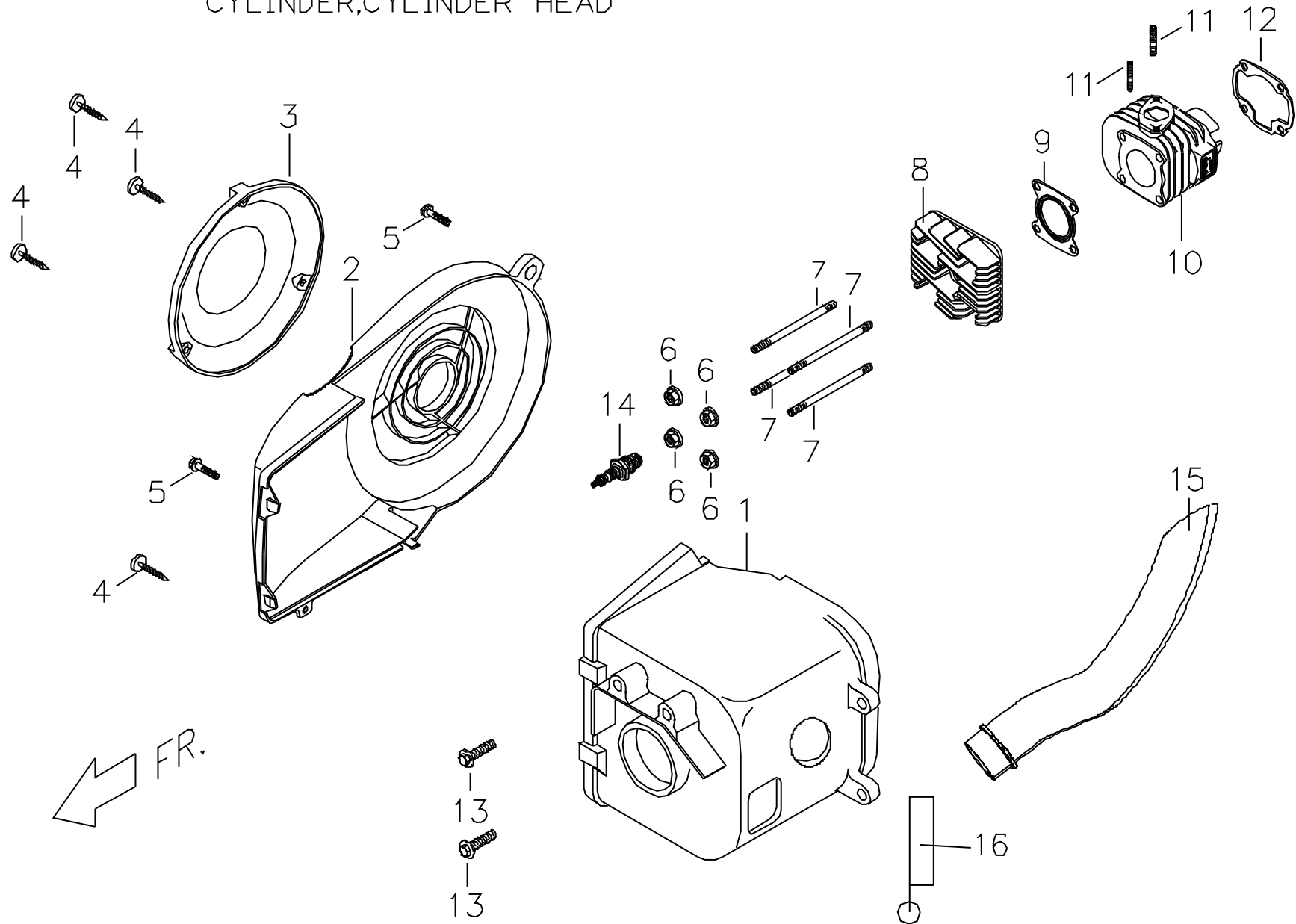


## E1 CRANKCASE / \_\_\_\_\_

## AVAILABLE FOR BUDDY 50

No.	Part No.	Q'TY	PART NAME	PART NAME	REMARK	FMSP (Y/N)
28	96530600301	2	( 6003 )	BALL BEARING DOUBLE SEALED		Y
29	92171700000	2	C	RETAINING RING C TYPE		
30	C1486020000	1		ENGINE HANGER SHAFT		
31	E1241001000	1		MOTOR COMP., STARTER		Y
32	90210602000	2		HEXAGON FLANGE BOLT		
33	NA	1		RESTRICTED PLATE	SPECIFIED PART	
34	95512000001	1	O	O RING		
36	P10810010001	1		OIL PUMP ASSY.		Y
37	P10812100000	1		OIL PUMP PLATE		
38	90190603500	1		HEXAGON FLANGE BOLT		
39	90190601203	1		HEXAGON FLANGE BOLT		
40	93550500800	2		SPRING PIN		
41	P5081301000	1	OUT	RUBBER TUBE		
42	P1261021000	2		GASKET, REED VALVE		Y
43	P1261101000	1		REED VALVE COMP.	GENERAL	Y
44	P5261011000	1		INTAKE MANIFOLD		
45	90190604500	2	( M6*45 )	HEXAGON FLANGE BOLT		
46	90180602500	4		HEXAGON FLANGE BOLT		
47	P0286330000	1		AIR PIPE	W/H SAI	
48	95512300000	1	O	O RING		
49	P5261300000	1		INSULATOR, ASSY., CARB.		Y
50	92140700001	1		PLAIN WASHER		
51	P506K010000	1		R/L CRANKCASE COMP.	W/H SAI	
52	P1706400000	1		FIXING CLIP		

E2. FAN COVER.COOLING COWL  
CYLINDER,CYLINDER HEAD

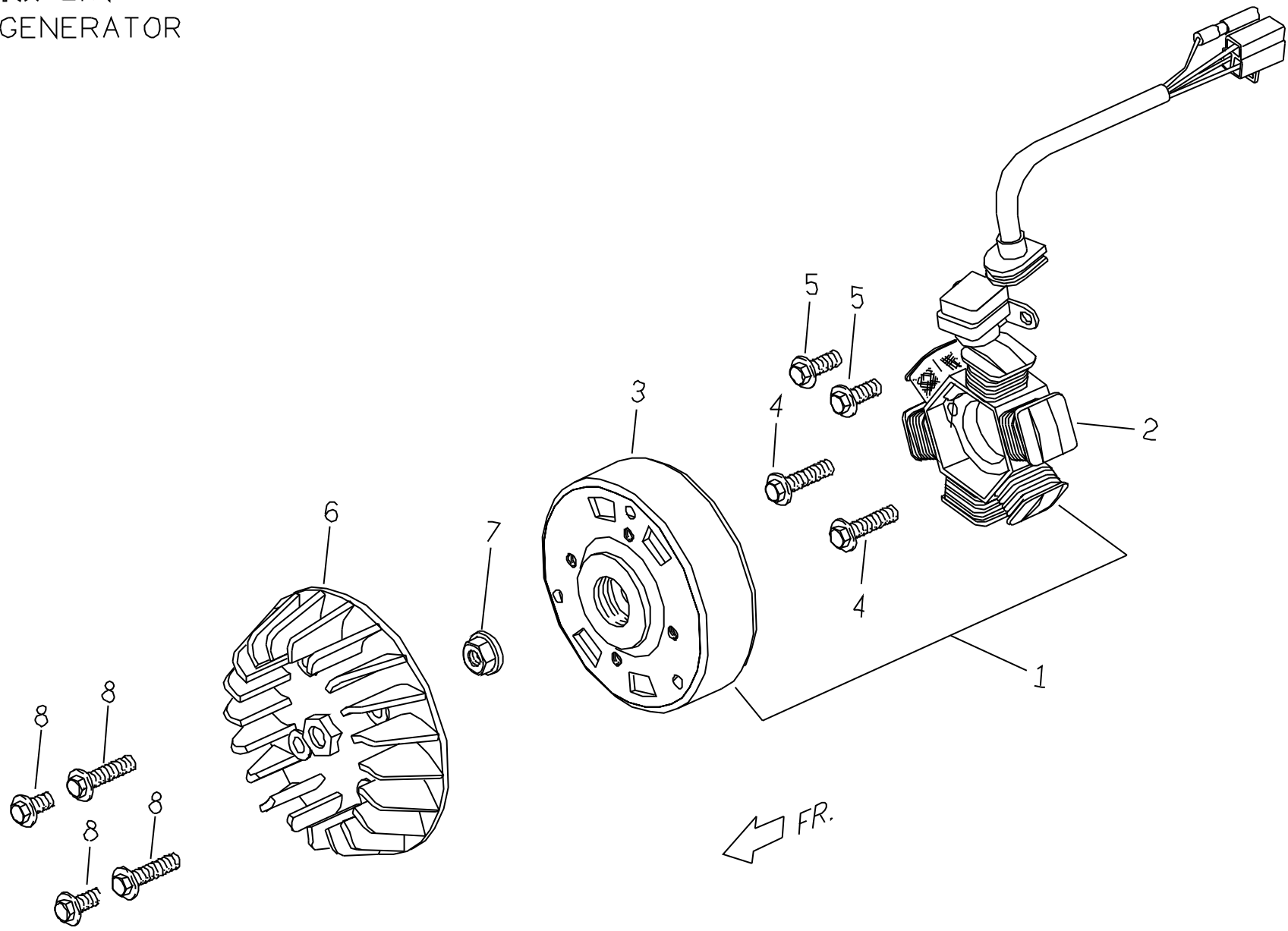


**E2 CYLINDER / \_\_\_\_\_**

**AVAILABLE FOR BUDDY 50**

No.	Part No.	Q'TY	PART NAME	PART NAME	REMARK	FMSP (Y/N)
1	P1042102000	1		COOLING COWL	W/O AIR PIPE	
2	P1042001000	1		FAN COVER		Y
3	E1042200000	1		FAN COVER		Y
4	90110401200	4	( M4*16L )	CR PAN HD. TAPPING SCREW		
5	90180602000	2		HEXAGON FLANGE BOLT		
6	92040700000	4		HEXAGON FLANGE NUT		
7	P1061050000	4		STUD BOLT		
8	P5065010000	1		CYLINDER HEAD		Y
9	P1065110000	1		GASKET, CYLINDER HEAD		Y
10	P1064010000	1		CYLINDER		Y
11	90170602901	2		STUD BOLT		Y
12	P1064111000	1		CYLINDER GASKET		Y
13	90190601203	2		HEXAGON FLANGE BOLT		
14	E1222000000	1	( NGK BP7HS )	IGNITION PLUG		Y
15	NA	1		AIR PIPE	FOR FROZEN AREA	
16	P5706040000	1		RR BRAKE TAKER		Y

E3 風扇.發電機  
FAN,GENERATOR



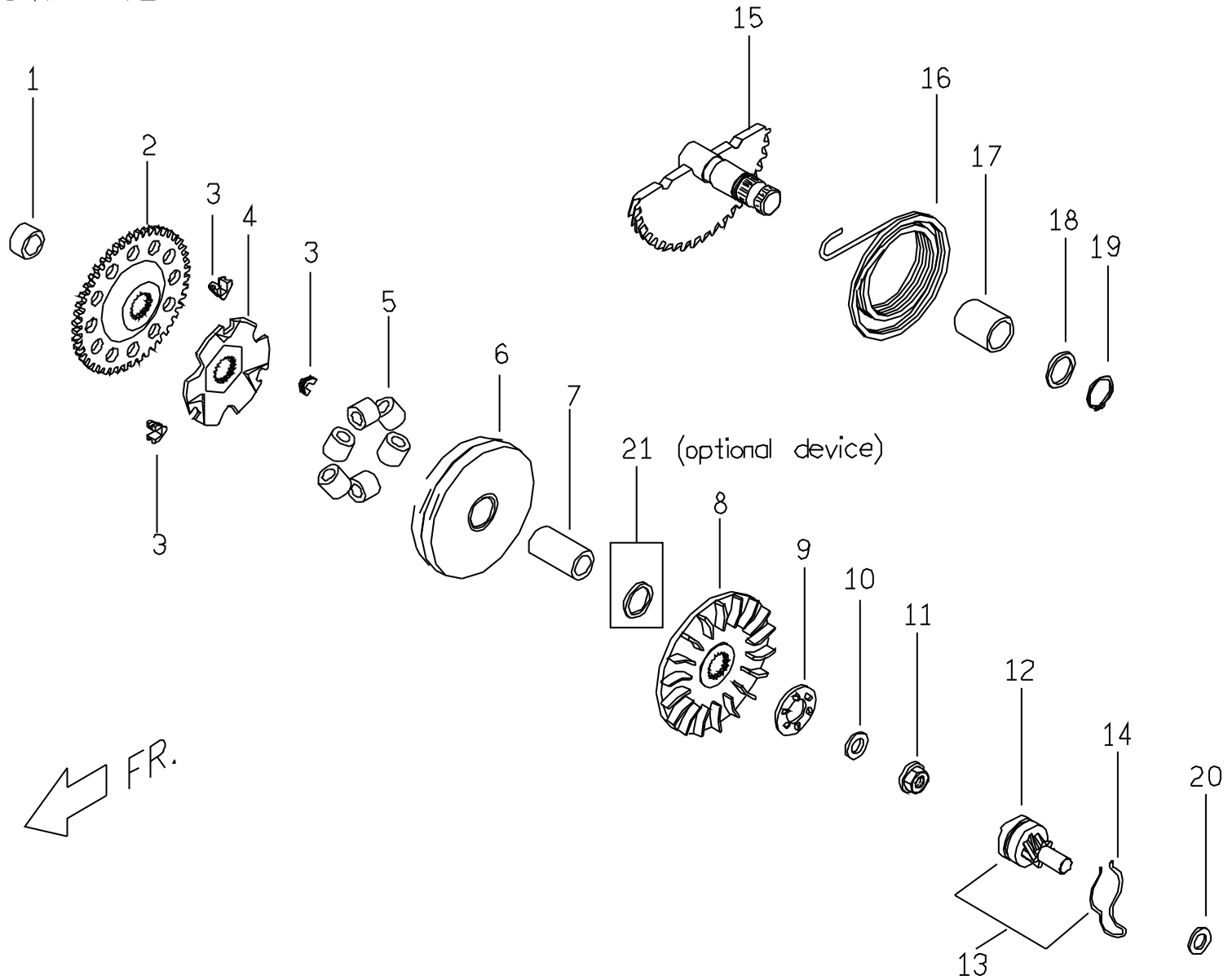
**E3 GENERATOR / \_\_\_\_\_**

**AVAILABLE FOR BUDDY 50**

No.	Part No.	Q'TY	PART NAME	PART NAME	REMARK	FMSP
						(Y/N)
1	P12210010002	1		AC GENERATOR ASSY.		Y
2	P12210200002	1		FLYWHEEL COMP.		Y
3	P12210100001	1		STATOR COMP.		
4	90180602000	2	( M6*20L )	HEXAGON FLANGE BOLT		
5	90190601203	2		HEXAGON FLANGE BOLT		
6	P1043000000	1		FAN		Y
7	92041000000	1		HEXAGON FLANGE NUT		
8	90190601204	4		HEXAGON FLANGE BOLT		



E4 DRIVING FACE



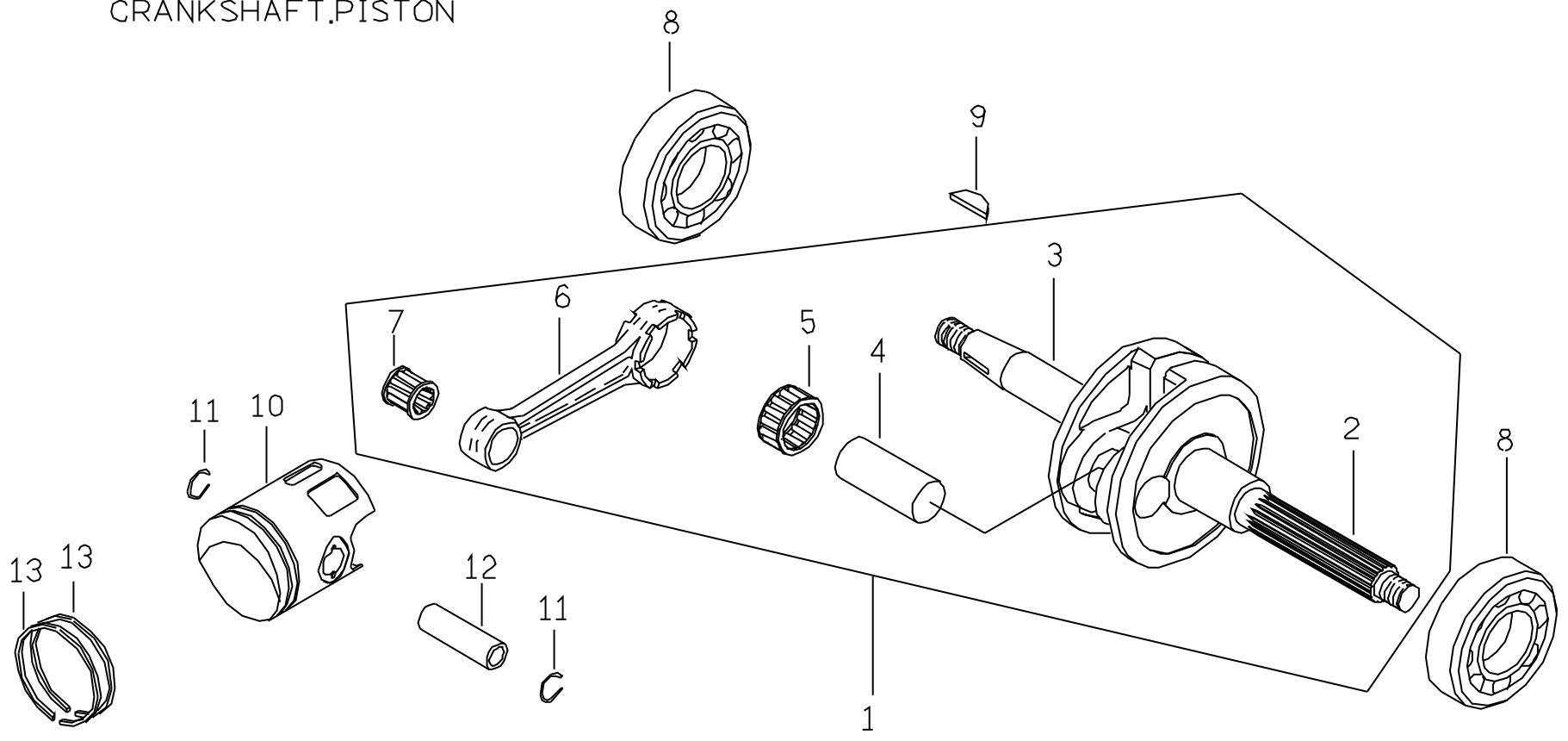
## E4 DRIVING PULLEY / \_\_\_\_\_

## AVAILABLE FOR BUDDY 50

No.	Part No.	Q'TY	PART NAME	PART NAME	REMARK	FMSP (Y/N)
1	P5242210000	1		SPACER		
2	P1242200000	1		DRIVEN GEAR, STARTER		Y
3	P1121320000	3		SLIDE PIECE		Y
4	P1121310000	1		RAMP PLATE		Y
5	<b>P1121200000</b>	<b>6</b>		<b>WEIGHT ROLLER COMP. (8.5G)</b>	<b>GENERAL</b>	<b>Y</b>
6	P1121101000	1		DRIVING FACE COMP., MOVABLE		Y
7	P5121050000	1		BOSS, MOVABLE DRIVE FACE		Y
8	P1121060000	1		DRIVE FACE		Y
9	P1251030000	1		RATCHET KICK STARTER		Y
10	92141000001	1	( 10*2T )	PLAIN WASHER		
11	92041000001	1		HEXAGON FLANGE NUT		Y
12	NA	1		DRIVEN GEAR COMP., KICK STARTER	NOT SUPPLIED	
13	E1251000000	1		DRIVEN GEAR & SPRING COMP.		Y
14	NA	1		SPRING, FRICTION STARTER GEAR	NOT SUPPLIED	
15	E1251101000	1		SPINDLE COMP., KICK STARTER		Y
16	E2251110000	1		TORSION SPRING		
17	E1251120000	1		BUSH		
18	92141400000	1		PLAIN WASHER		
19	92171400000	1	C	RETAINING RING C TYPE		
20	92141000011	1		PLAIN WASHER		
21	<b>P11210800003</b>	<b>1</b>		<b>COLLAR</b>	<b>OPTIONAL PART</b>	<b>Y</b>

E5

曲柄軸, 活塞  
CRANKSHAFT, PISTON



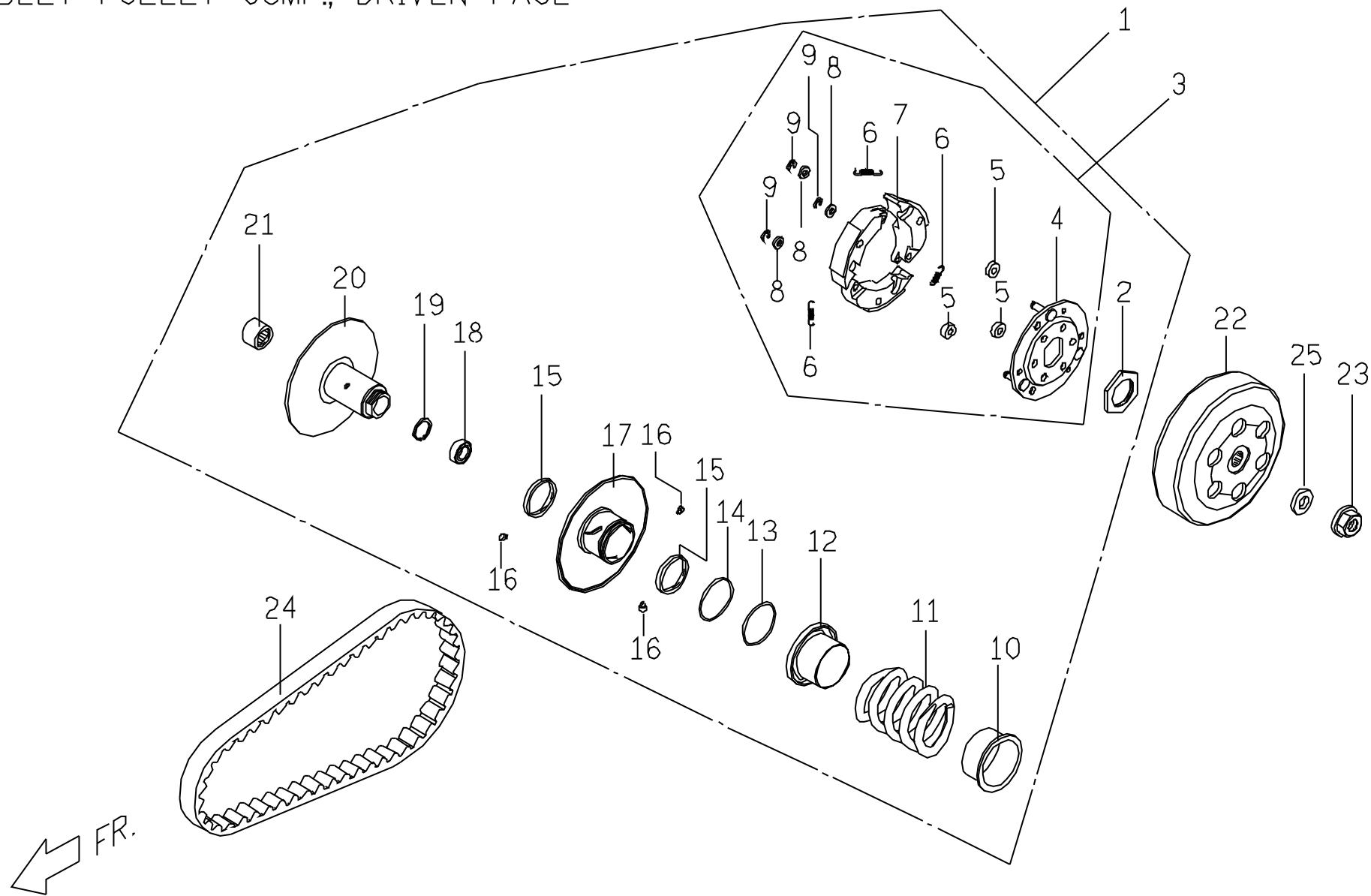
← FR.

**E5 CRANKSHAFT / \_\_\_\_\_**

**AVAILABLE FOR BUDDY 50**

No.	Part No.	Q'TY	PART NAME	PART NAME	REMARK	FMSP (Y/N)
1	P1066000000	1		CRANKSHAFT COMP.		Y
2	NA	1		LH., CRANKSHAFT	NOT SUPPLIED	
3	NA	1		RH., CRANKSHAFT	NOT SUPPLIED	
4	P1066030000	1		CRANK PIN		
5	96590162200	1		BEARING CAGE		
6	P1066120000	1		CONNECTING ROD		
7	96600101400	1		BEARING CAGE		
8	E1062100000	2	( SC04A50 )	BALL BEARING		Y
9	93530302400	1		WOODEUFF KEY		
10	P5067010000	1		PISTON		Y
11	E1067150000	2		CLIP, PISTON PIN		
12	P1067110000	1		PISTON PIN		Y
13	E10673100001	2		PISTON RING		Y

E6 被驅動面皮帶輪組合  
BELT PULLEY COMP., DRIVEN FACE

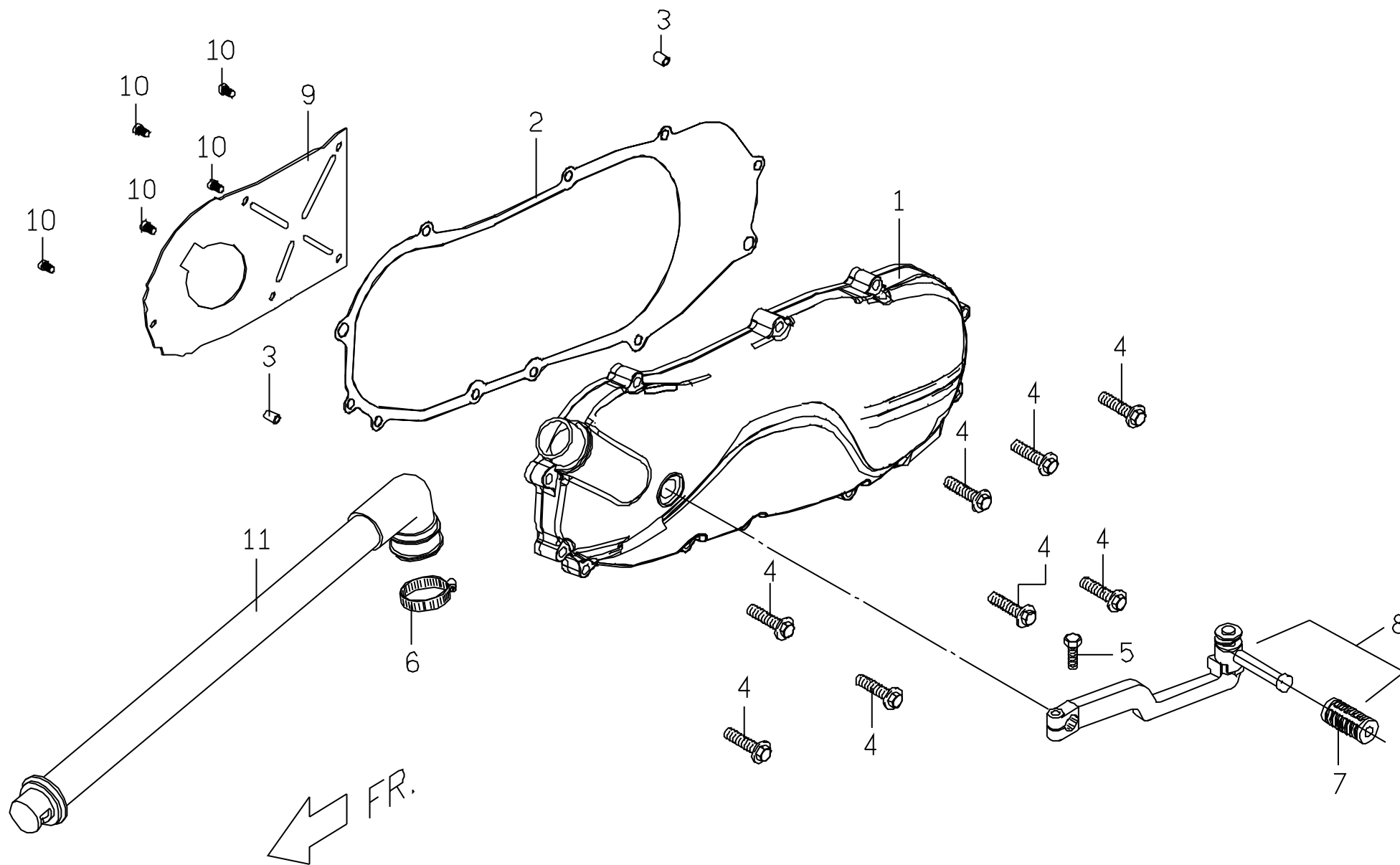


**E6 DRIVEN PULLEY / \_\_\_\_\_**

**AVAILABLE FOR BUDDY 50**

No.	Part No.	Q'TY	PART NAME	PART NAME	REMARK	FMSP (Y/N)
1	P1123701000	1		BELT PULLEY COMP., DRIVEN FACE		Y
2	P1123410000	1		NUT		
3	P1123600000	1		DRIVE PLATE COMP		Y
4	P1123300000	1		BODY COMP., DRIVE PLATE		
5	P1123420000	3		DAMPER RUBBER, CLUTCH		
6	P1123430000	3		SPRING, CLUTCH		
7	P1123441000	3		WEIGHT , CLUTCH		
8	92140600008	3		PLAIN WASHER		
9	92180500000	3	E	RETAINING RING E TYPE		
10	P1123330000	1		COLLAR SPRING		
11	P1123520000	1		SPRING, DRIVEN FACE		
12	P1123530000	1		SEALED SOCKET		
13	95513600000	1	O	O RING		
14	95514000001	1	O	O RING		
15	95593439300	2	G	OIL SEAL G TYPE		
16	P1123240000	3		PIN, GUIDE ROLLER		
17	P1123210000	1		BODT COMP., MOVABLE DRIVEN FACE		
18	96520690100	1	( 24*12*6)	DEEP GROOVE BALL BEAR ONE SEAL		
19	92162400000	1	C	RETAINING RING C TYPE		
20	P1123110000	1		BODY COMP., DRIVEN FACE		
21	E1123140000	1		NEEDLE BEARING		
22	P1123510000	1		OUTER BODY COMP., CLUTCH		Y
23	92041000001	1		HEXAGON FLANGE NUT		
24	NE122000000	1		BELT		Y
25	92141000001	1		PLAIN WASHER		

E7 左邊蓋  
LH. SIDE COVER



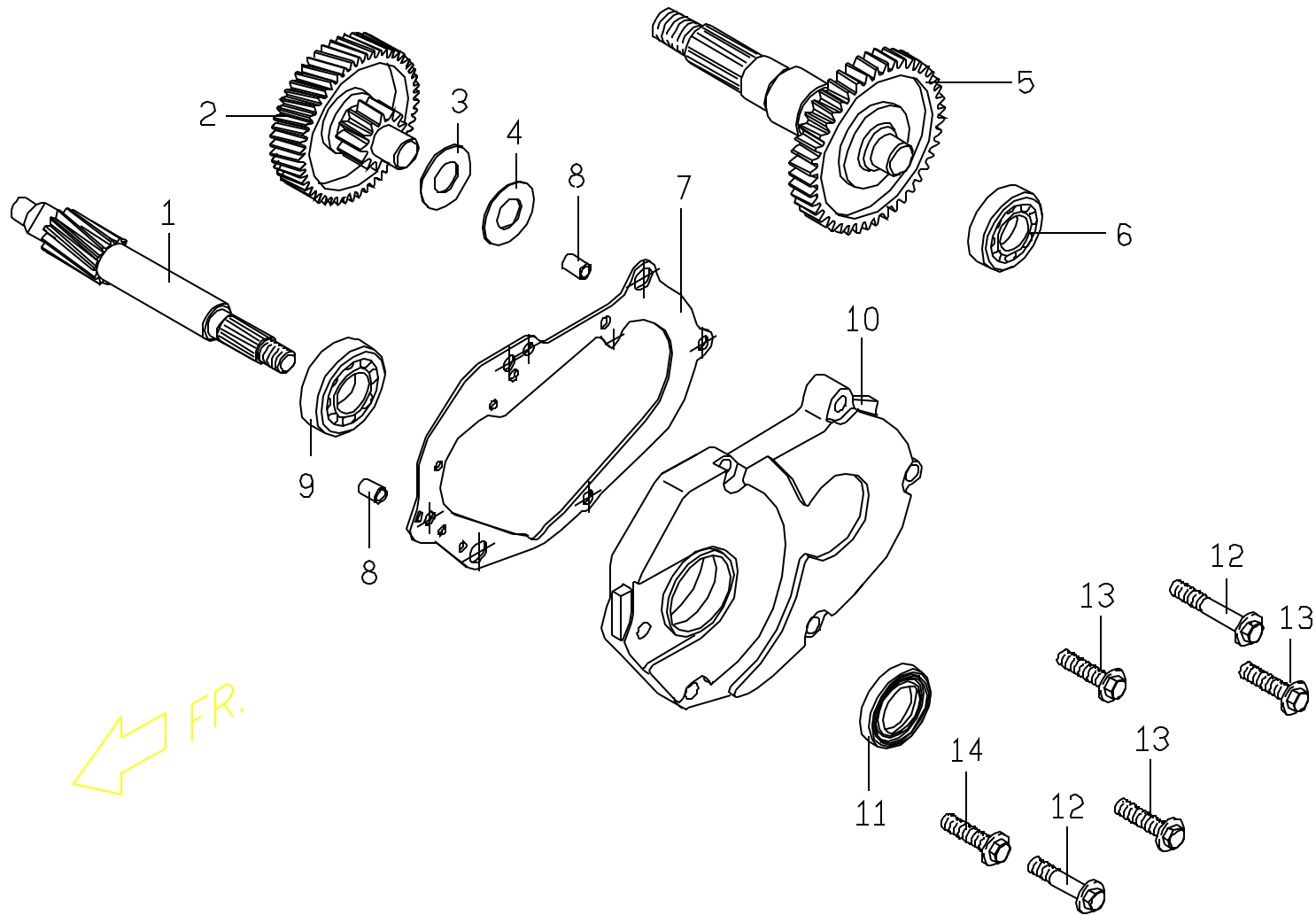
E7 LEFT CASE / \_\_\_\_\_

AVAILABLE FOR BUDDY 50

No.	Part No.	Q'TY	PART NAME	PART NAME	REMARK	FMSP
						(Y/N)
1	<b>P5063010720</b>	1	( )	<b>LH., SIDE COVER</b>	<b>GENERAL</b>	<b>Y</b>
2	P5063021000	1		GASKET, LH. SIDE COVER		<b>Y</b>
3	93541001401	2	( 10*14 )	LOCK PIN		
4	90190603502	8	( M6*35L )	HEXAGON FLANGE BOLT		
5	90020602202	1		HEXAGON HEAD BOLT		
6	E1706280000	1	( MIN30-MAX40 )	HOSE CLAMP		
7	E1251240000	1		RUBBER PAD, KICK STARTER		
8	P1251200000	1		ARM COMP., KICK STARTER		
9	P1063060000	1		PARTITION PLATE		
10	90050500900	5		CR ROUND HD. MACHINE SCREW		
11	P5063030000	1		BREATHER PIPE		<b>Y</b>



E8 傳動系  
TRANSMISSION

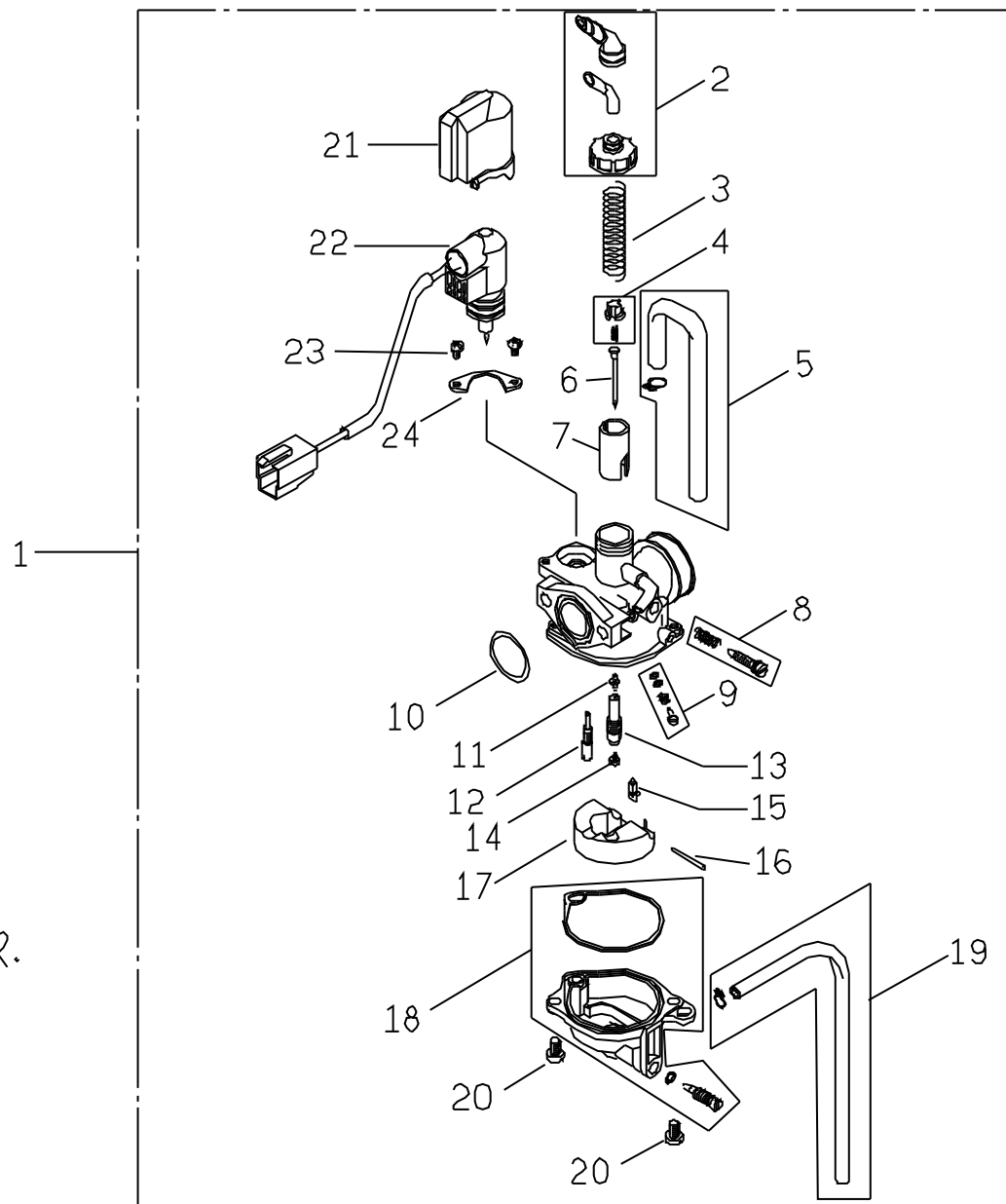


**E8 TRANSMISSION / \_\_\_\_\_**

**AVAILABLE FOR BUDDY 50**

No.	Part No.	Q'TY	PART NAME	PART NAME	REMARK	FMSP
						(Y/N)
1	P5141100000	1		DRIVE SHAFT		
2	P5141200000	1		IDLE GEAR COMP.		
3	P1141230000	1		DISC SPRING WASHER		
4	92141400003	1	( 14D*1T )	PLAIN WASHER		
5	P5141300000	1		FINAL GEAR COMP.		Y
6	96510620200	1	( 6202 )	BALL BEARING		Y
7	P1141021000	1		TRANSMISSION COVER GASKET		Y
8	93541001401	2	( 10*14 )	LOCK PIN		
9	96510620301	1	( 6203 )	BALL BEARING		Y
10	P1141010000	1		TRANSMISSION COVER		
11	95571735700	1	TC ( D35*D16.4*7 )	OIL SEAL TC TYPE		Y
12	90190603500	2	( M6*35L )	HEXAGON FLANGE BOLT		
13	90180602500	3	( M6*25L )	HEXAGON FLANGE BOLT		
14	90180602000	1	( M6*20L )	HEXAGON FLANGE BOLT		

E9.1 化油器  
CARBURETOR

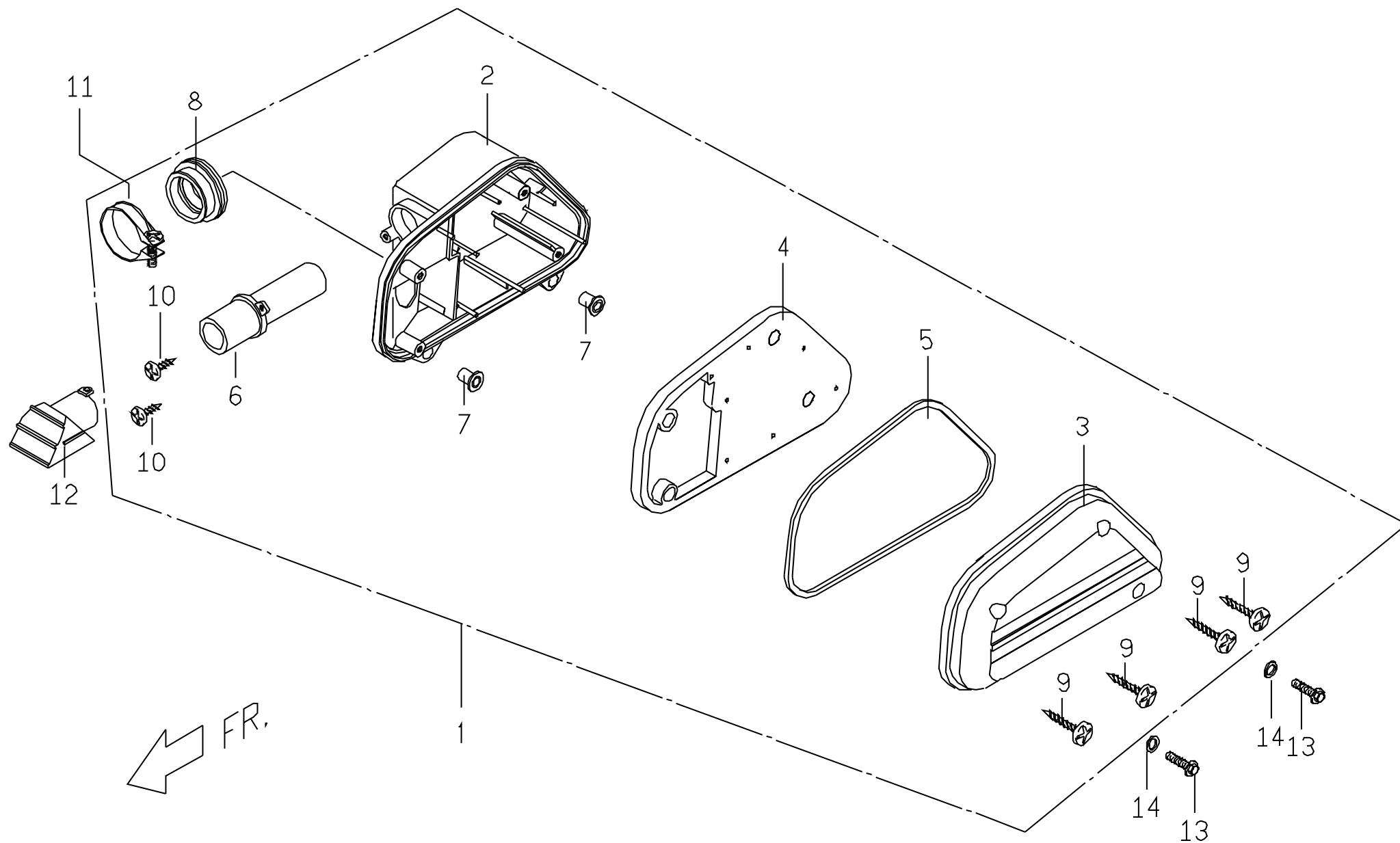


## E9 CARBURETOR / \_\_\_\_\_

## AVAILABLE FOR BUDDY 50

No.	Part No.	Q'TY	PART NAME	PART NAME	REMARK	FMSP (Y/N)
1	P5151000002	1		CARBURETOR ASSY.	SETTING "086"	Y
2	D19KT0140100	1		TOP SET		
3	D19KT0040200	1		SPG., COMP.		
4	D19KT0010300	1		PLATE SET		
5	D19KT0272100	1		TUBE SET		
6	D19KT0370400	1		JET NEEDLE		
7	D19KT0160500	1		THROTTLE VALVE		
8	D19KT0031400	1		SCREW SET		
9	D19KT0091600	1		SCREW SET S.S		
10	D19KT0031500	1	O	O RING		
11	D19KT0140600	1		NEEDLE JET		
12	D19KT0671100	1	(#35)	SLOW JET		Y
13	D19KT0080900	1		HOLDER, NEEDLE JET		
14	D19KT0011000	1	(#75)	JET, MAIN		Y
15	D19KT0030700	1		FLOAT VALVE SET		
16	D19KT0010800	1		PIN, ARM		
17	D19KT0031300	1		FLOAT SET		
18	D19KT0061200	1		FLOAT CHAMBER SET		
19	D19KT0262100	1		TUBE SET		
20	D19KT0061900	2		SCREW, WASHER		
21	D19KT0022000	1		CAP HOLDER		
22	D19KT0661700	1		AUTO BYSTARTER SET		Y
23	D19KT0051900	2		SCREW, WASHER		
24	D19KT0011800	1		PLATE SET		

E10 空氣濾清器組合  
AIR CLEANER COMP.



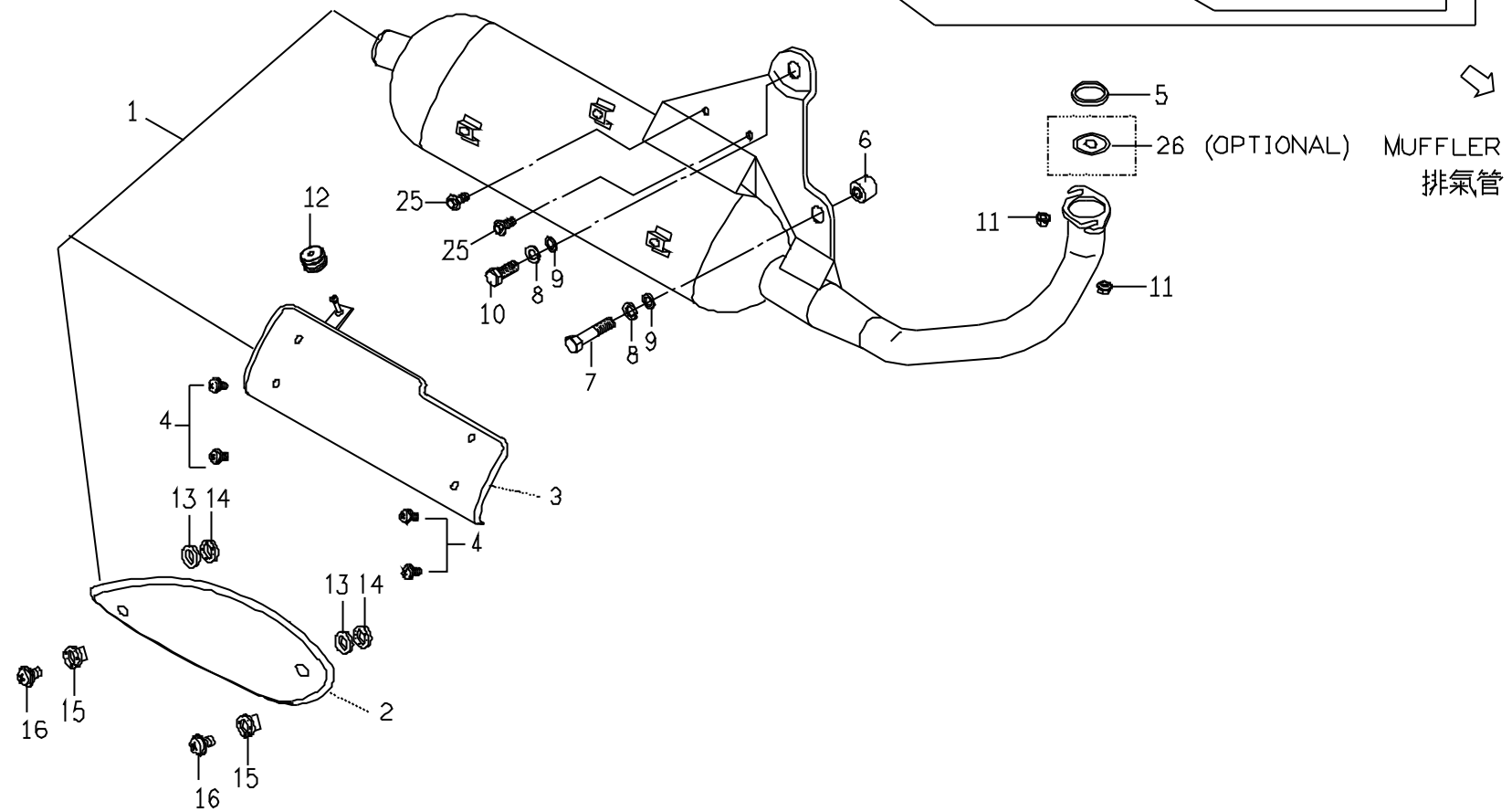
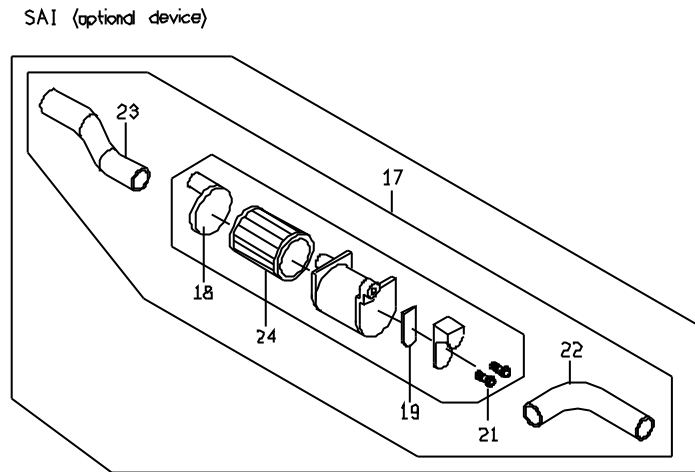
**E10 AIR CLEANER / \_\_\_\_\_**

**AVAILABLE FOR BUDDY 50**

No.	Part No.	Q'TY	PART NAME	PART NAME	REMARK	FMSP (Y/N)
1	P1262000001	1		AIR CLEANER COMP.	GENERAL	Y
2	P1262010000	1		BODY, AIR CLEANER	NOT SUPPLIED	
3	P1262020000	1		COVER, AIR CLEANER		
4	P1262030000	1		SPONGE, AIR CLEANER		Y
5	P1262040000	1		PACKING, AIR CLEANER		
6	P12620500001	1		AIR HOSE	GENERAL	
7	E9262060000	2		BUSH		
8	P1262080000	1		CONNECTION PIPE, AIR CLEANER	NOT SUPPLIED	
9	90110502500	4		CR RECESS PAN HD. TAPPING		
10	90110401200	2		CR RECESS PAN HD. TAPPING		
11	P1262110000	1		CLAMP		
12	P1262120000	1		INTAKE COVER		Y
13	90180602500	2	( M6*25L )	HEXAGON FLANGE BOLT		
14	92140600005	2	(6.4D*13D*1T)	PLAIN WASHER		

E11 MUFFLER

CRANKCASE  
左曲軸箱



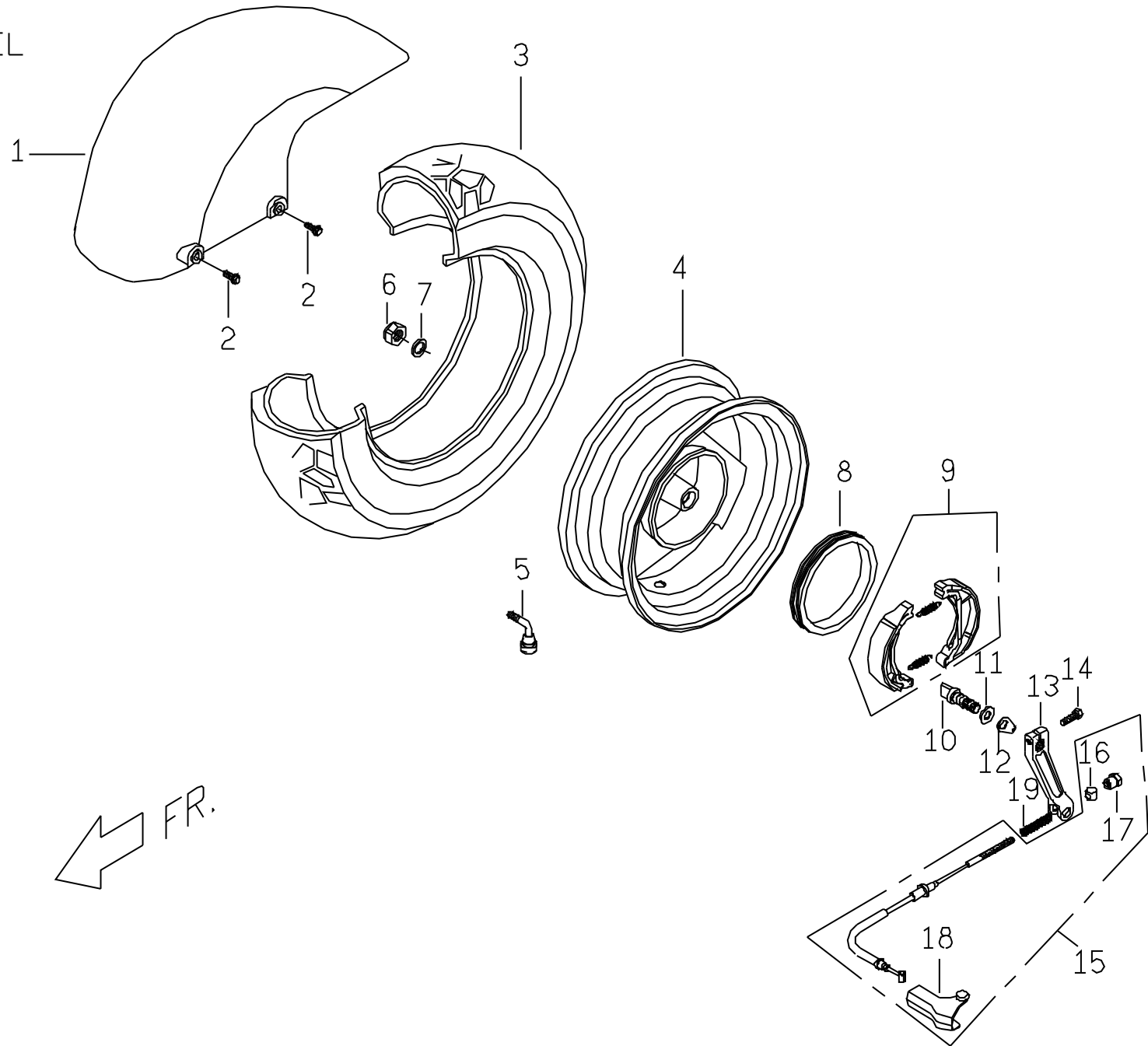
## E11 MUFFLER / \_\_\_\_\_

## AVAILABLE FOR BUDDY 50

No.	Part No.	Q'TY	PART NAME	PART NAME	REMARK	FMSP (Y/N)
1	P528100000J	1		MUFFLER ASSY.		Y
2	C12810100004	1		OUTSIDE HEAT PROTECTOR ASSY		
3	P5281020000	1		INSIDE HEAT PROTECTOR ASSY		
4	90050608000	4		CR RECESS PAN HD. TAPPING		
5	E9281020000	1		GASKET, MUFFLER		Y
6	E1062020000	1		DAMPER BUSH		
7	90190804003	1		HEXAGON BOLT		
8	92110800000	2		SPRING WASHER		
9	92140800000	2		PLAIN WASHER		
10	90190802600	1		HEXAGON BOLT		
11	92040600003	2		HEXAGON FLANGE NUT		
12	P5281060000	1		FIXING RUBBER		
13	C328A040000	2		CIRCLET		
14	92140600015	2		HIGH TEMPERATURE PLAIN WASHER		
15	C328A020000	2		INNER SPACER		
16	90050602000	2		C-R ROUND HD. TAPPING SCREW		
17	P22861020002	1		SECOND AIR CLEANER ASSY.	OPTIONAL	
18	P2286080000	1		COVER, SAI		
19	P22860100001	1		REED VALVE COMP		
21	90040501400	2		CR PAN HD. MACHINE SCREW		
22	P22861100004	1	A	AIR TUBE (A)		
23	P52861200001	1	B	AIR TUBE (B)		
24	P2286090000	1		2nd AIR FILTER		
25	90180602000	2		HEXAGON FLANGE BOLT		
26	92141200010	1		PLAIN WASHER (12mm)	SPEED LIMIT	



E12 後輪  
REAR WHEEL

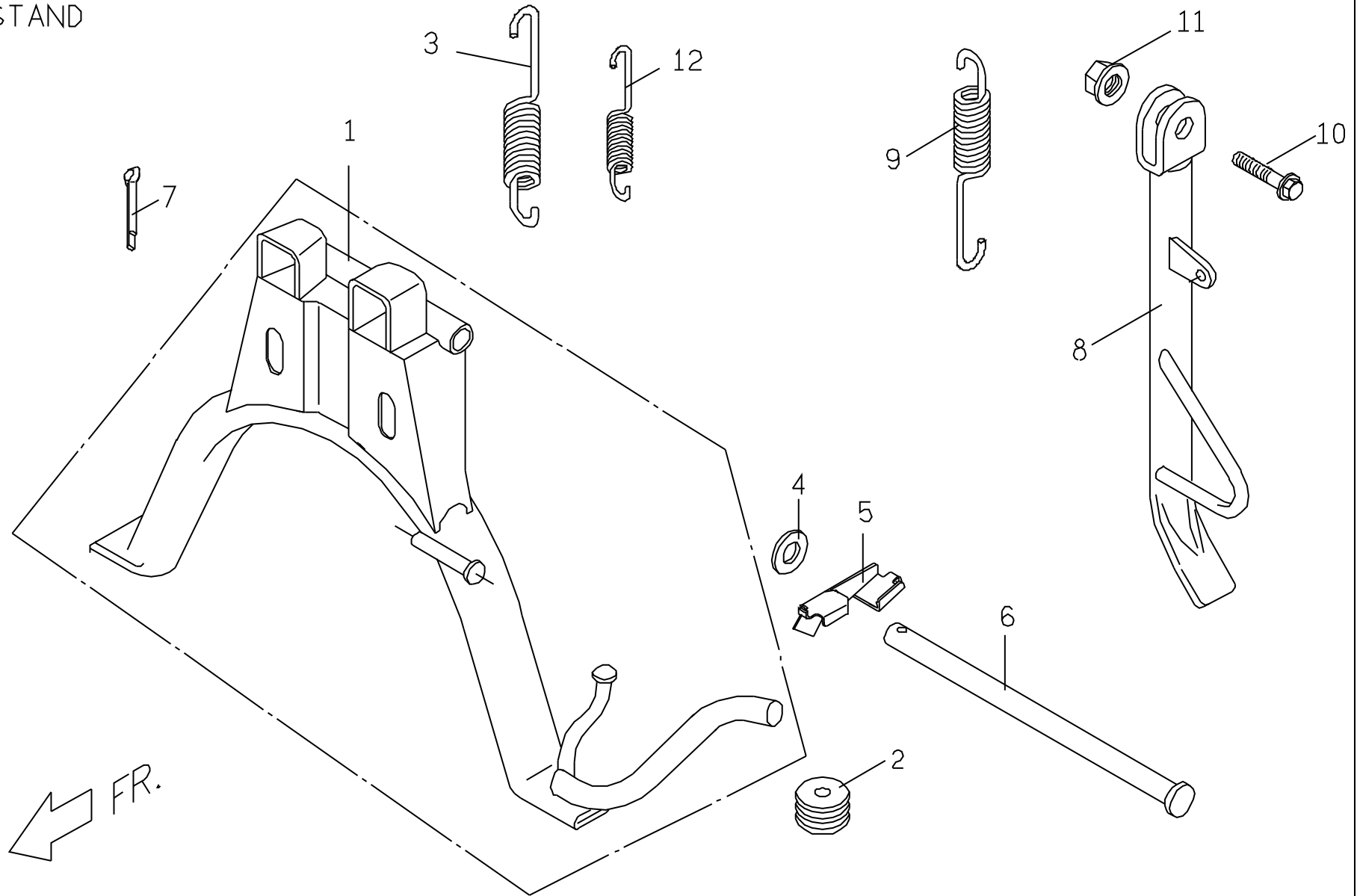


**E12 REAR WHEEL / \_\_\_**

**AVAILABLE FOR BUDDY 50**

No.	Part No.	Q'TY	PART NAME	PART NAME	REMARK	FMSP
						(Y/N)
1	P56340006501	1		REAR FENDER		Y
2	90180602000	2	( M6*20L )	HEXAGON FLANGE BOLT		
3	P540B320000	1	( 90/90-10 )	TYRE	SERVICE PART	Y
4	P5407102770	1	( )	RR WHEEL COMP.		Y
5	P140B330000	1		VALVE		
6	92011600000	1	U	U TYPE NUT		
7	92141700001	1		PLAIN WASHER		
8	E1407010000	1		DUST RING		Y
9	E14074000002	1		BRAKE SHOE ASSY.		Y
10	E1407440000	1		CAM, RR BRAKE		
11	95511200002	1	O	O RING		
12	E1407450000	1		INDICATOR, RR BRAKE		
13	P1407471000	1		ARM, RR BRAKE		
14	90020602202	1		HEXAGON BOLT		
15	P5544401000	1		CABLE ASSY., RR BRAKE		
16	E1544440000	1		PIN		
17	E1544410000	1		ADJUST NUT, CABLE		
18	NA	1		PROTECTNG COVER		
19	C154D110000	1		SPRING, RR BRAKE ARM		

E13 STAND

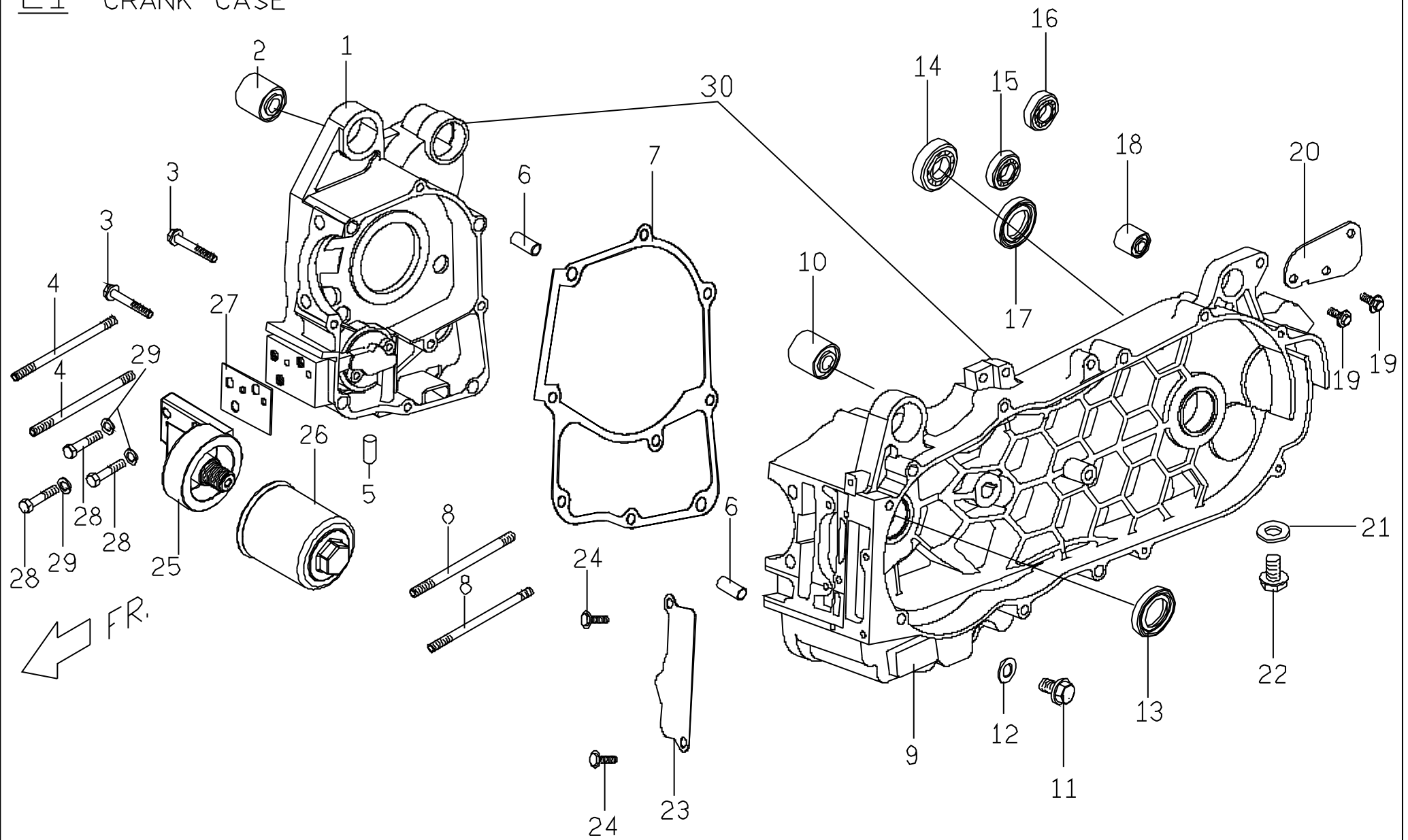


**E13 STANDS / \_\_\_\_\_**

**AVAILABLE FOR BUDDY 50**

No.	Part No.	Q'TY	PART NAME	PART NAME	REMARK	FMSP
						(Y/N)
1	P5461001600	1	( E.D )	CENTER STAND ASSY		Y
2	P146A011000	1		RUBBER DAMPING, CENTER STAND		Y
3	P1461120000	1	( )	SPRING, CENTER STAND		Y
4	P1701070000	1		RUBBER WASHER		
5	P1407482000	1		RR BREKE FIXING PLATE		Y
6	E1461110000	1		CRT STD FIXING PIN	GENERAL	
7	P1706630000	1	R	SPILT PIN		
8	P6462000600	1	( E.D )	SIDE SAND ASSY.		Y
9	C2462120000	2	( )	SIDE STAND SPRING		Y
10	90191002800	1		HEXAGON FLANGE BOLT		
11	92061000000	1	U	U TYPE NUT		
12	NA	1		CENTER STAND INNER SPRING		

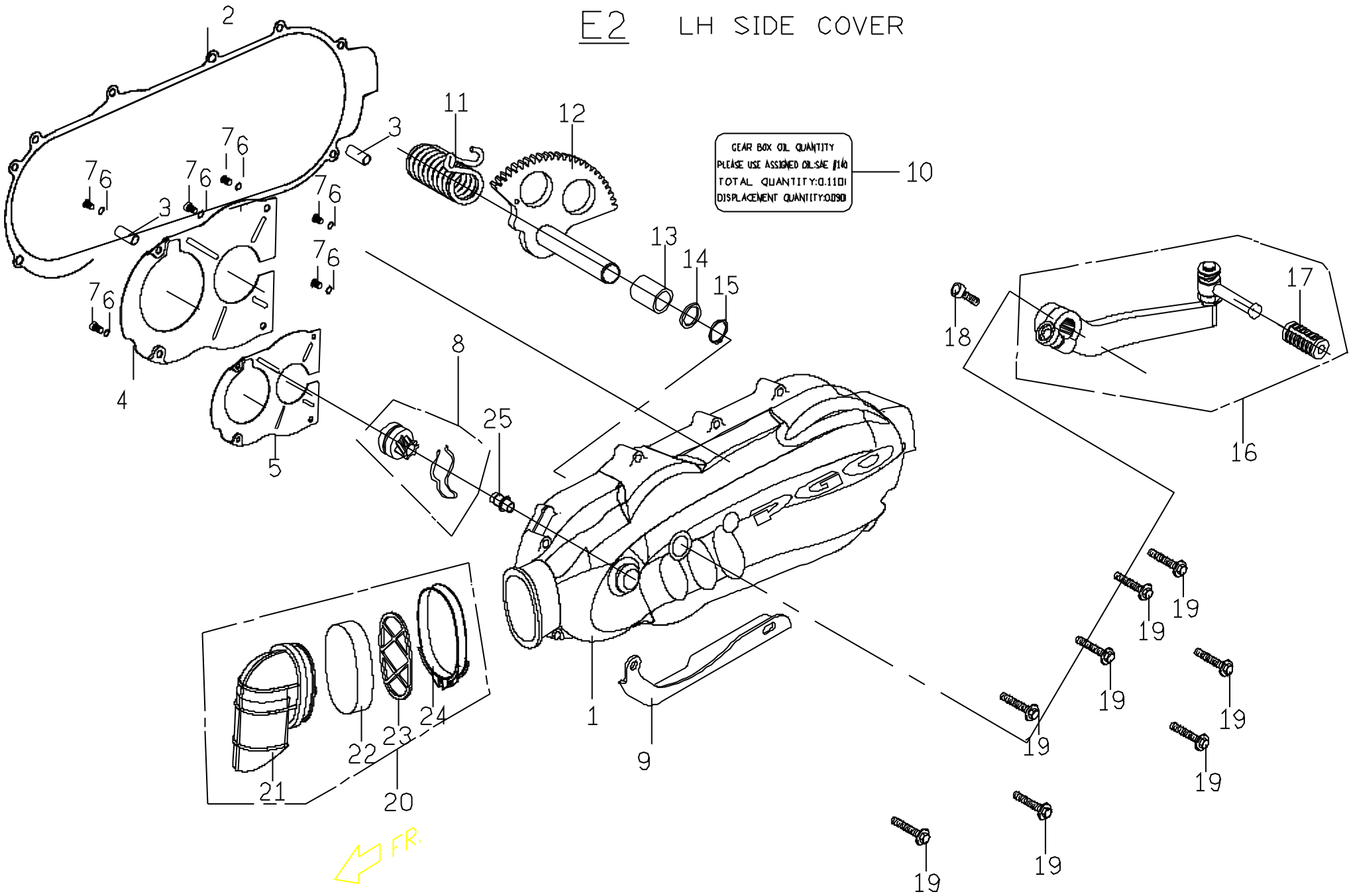
E1 CRANK CASE



**E1. BUDDY 125\_CRANKCASE**

No.	Part No.	Q'TY	PART NAME	PART NAME	REMARK	FMSP
1	C1061012000	1		RH CRANKCASE		
2	E1061020000	1		RUBBER BUSH		Y
3	90190605003	2	(M6*50L)	HEXAGON FLANGE BOLT		
4	90170818800	2		STUP BOLT		
5	G1061070000	1		PLUG OIL		
6	93540801400	2		LOCK PIN		Y
7	C5061041000	1		CRANKCASE GASKET		Y
8	90170819500	2		STUD BOLT		
9	C2062012000	1		LH.CRANKCASE		
10	E1061020000	1		RUBBER BUSH		Y
11	90181201500	1		HEXAGON FLANGE BOLT		
12	92141200006	1		PLAIN WASHER		
13	95572232601	1	TC ( 32* 20.9*6t)	OIL SEALTC TYPE		Y
14	96510620407	1	(6204)	DEEP GROOVE BALL BEARING		Y
15	96510620200	1	(6202)	DEEP GROOVE BALL BEARING		Y
16	96510620301	1	(6203)	DEEP GROOVE BALL BEARING		Y
17	95572032600	1	TC ( 32* 19.5*6t)	OIL SEAL TC TYPE		Y
18	P1062020000	1		RUBBER BUSH		Y
19	90190601601	2	(M6*16L)	HEXAGON FLANGE BOLT		
20	C2706010000	1		FIXING PLATE, AIR CLEANER		
21	92140800001	1		PLAIN WASHER		
22	90190801200	1	(M8*12L)	HEXAGON FLANGE BOLT		
23	C1286320000	1		SEP PLAT,SECOND AIR COVER		
24	90190602700	2	(M6*27L)	HEXAGON FLANGE BOLT		
25	C1082030000	1		SEAT, OIL FILTER		
26	C1082020000	1		OIL FILTER		Y
27	C1082042000	1		GASKET, OIL FILTER		Y
28	90190602002	3	(M6*20L)	HEXAGON FLANGE BOLT		
29	92140600011	3		PLAIN WASHER		
30	C206K010000	1	( . )	RH AND LH CRANKCASE ASSY.		

# E2 LH SIDE COVER



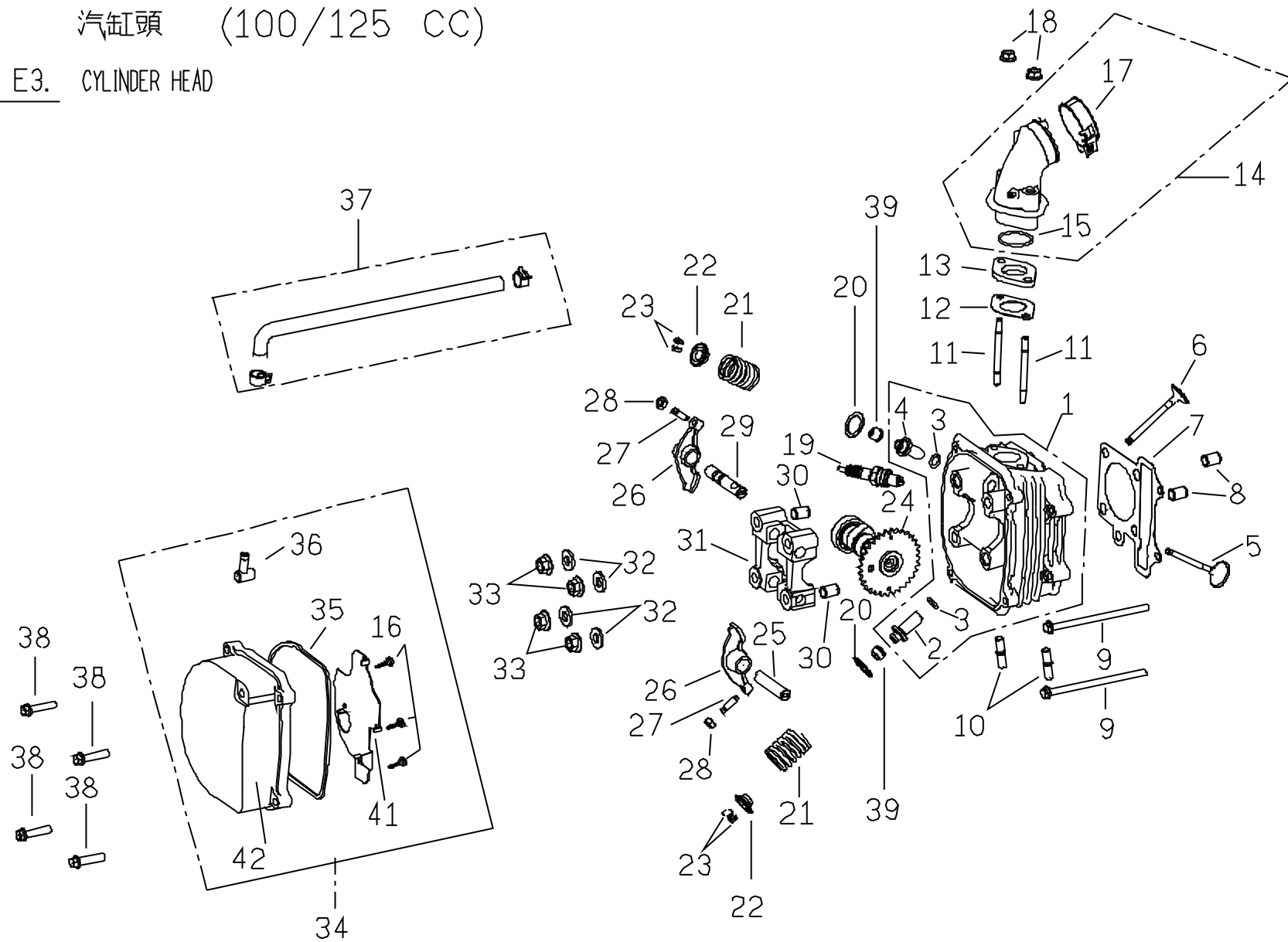
**E2. BUDDY 125\_LH SIDE COVER**

No.	Part No.	Q'TY	PART NAME	PART NAME	REMARK	FMSP (Y/N)
1	C2063012720	1	( )	LH SIDE COVER		Y
2	C2063020000	1		GASKET LEFT COVER		Y
3	93540801400	2		LOCK PIN		
4	C20630600001	1		PARTITION PLATE		
5	C20631200001	1		PACKING, PARTITION PLATE		
6	92110500000	6		SPRING WASHER		
7	90050500900	6		C-R ROUND HD. TAPPING SCREW		Y
8	C1251001000	1		DRIVEN GEAR & SPG. ASSY.		Y
9	C1062081000	1		BRACKET, CENTER STAND		Y
10	C16031400001	1		GEAR OIL NOTICE LABEL		
11	C1251112000	1		TORSION SPRING		
12	C1251101000	1		KICK,SHAFT ASSY		
13	C1251120000	1		BUSH,KICK SPINPLE		
14	92141700002	1		PLAIN WASHER		
15	92171700000	1	C	RETAINING RING C-TYPE		
16	C1251200000	1		ARM,KICK STARTER ASSY		
17	E1251240000	1		RUBBER,PAD,KICK STARTER		
18	90210802500	1		HEXAGON SOCKET HEAD CAP BOLT		
19	90190604001	8		HEXAGON FLANGE BOLT		
20	C1063102000	1		BREATHER PIPE COMP		Y
21	C1063030000	1		BREATHER PIPE	Not supplied	
22	C1063092000	1		SPONGE,BREATHER PIPE		Y
23	C1063110000	1		FIXING PLATE		
24	C1706280000	1		CLAMP		
25	C1251171000	1		START FIXED SHAFT		Y



# 汽缸頭 (100/125 CC)

## E3. CYLINDER HEAD

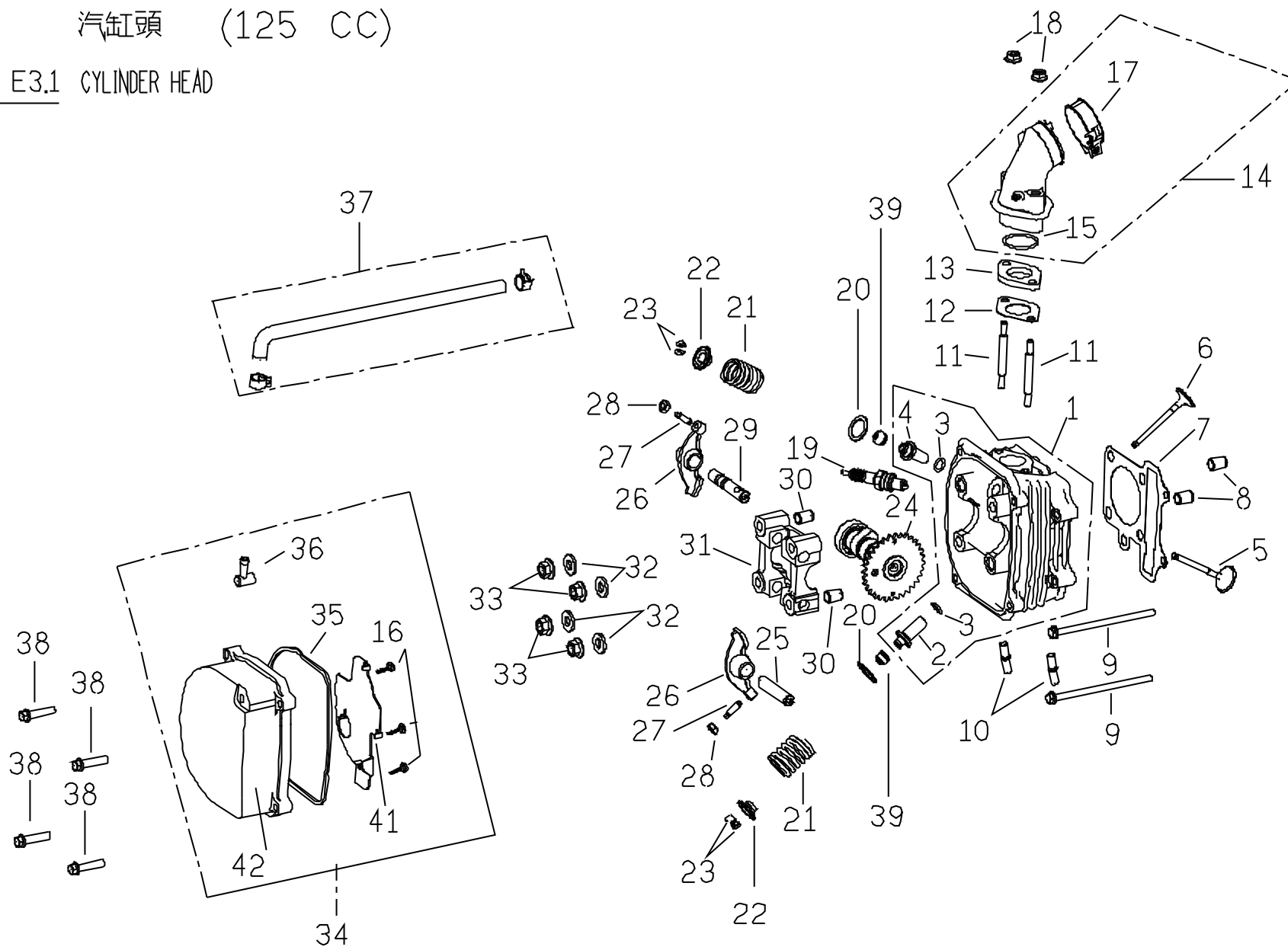


**E3. BUDDY 125\_CYLINDER HEAD**

No.	Part No.	Q'TY	PART NAME	PART NAME	REMARK	FMSP (Y/N)
1	C10710120001	1		HEAD COMP. CYLINDER		
5	C1071200000	1		VALVE EXHAUST		Y
6	C1071300000	1		VALVE INLET		Y
7	C1071072000	1		GASKET HEAD CYL.		Y
8	93541001401	2	10*14	LOCK PIN		Y
9	90190610000	2		HEXAGON FLANGE BOLT		
10	90170802900	2		STUD BOLT		
11	90170606300	2		STUD BOLT		
12	C1261321000	1		INSULATOR CARB GASKET		Y
13	C1261310000	1		INSULATOR CARB		
14	C1261052000	1		INTAKE MANIFOLD COMP		Y
15	95512700001	1	O	O RING		
16	90150400800	4		C-R TAPPING MACHINE SCREW		
17	C1261061000	1		HOSE CLAMP		
18	92040600000	2	M6*1.0P	HEXAGON FLANGE NUT		
19	C1222000000	1	(NGK C7HAS)	IGNITION PLUG		Y
20	92431600002	2		PLAIN WASHER		
21	C1071410000	2		SPRING, VALVE		
22	C1071440000	2		RETAIER VALVE SPRING		
23	C1071430000	4		COTTER VALVE		
24	C1073001000	1		CAM,SHAFT ASSY.		Y
25	C1072060000	1		SHAFT,EX.ROCKER ARM		

汽缸頭 (125 CC)

E3.1 CYLINDER HEAD

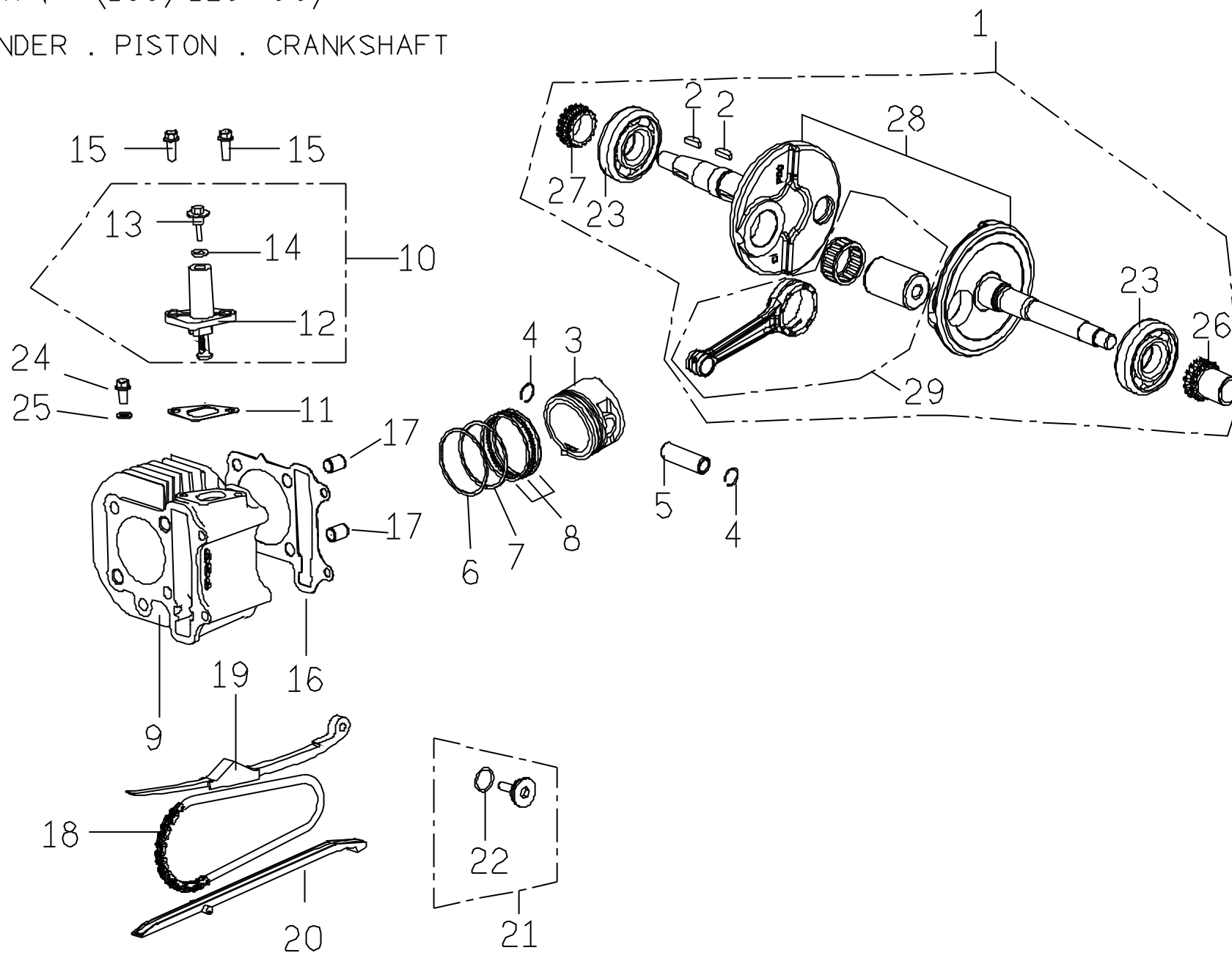


E3. BUDDY 125\_CYLINDER HEAD

No.	Part No.	Q'TY	PART NAME	PART NAME	REMARK	FMSP (Y/N)
26	C1072010000	2		VALVE RXKER ARM		Y
27	C1072420000	2		SCREW TOPPED ADJUSTER		
28	92020500001	2		HEXAGON NUT		
29	C1072050000	1		SHAFT,EX.ROCKER ARM		
30	93541001401	2		LOCK PIN		
31	C1072430000	1		CAMSHAFT HOLDER		
32	92140800000	4	8.4D*17D*1.6T	PLAIN WASHER		
33	92040800000	4	M8	HEXAGON FLANGE NUT		
34	C3071100000	1		CYL.HEAD COVER COMP.		Y
35	C1071120000	1		DACKING,CYL. HEAD COVER		Y
36	C3071130000	1		TUBE CYL HEAD COVER		
37	C3071190000	1		PCV PIPE ASSY		
38	90190602700	4		HEXAGON FLANGE BOLT		
39	C1071451000	2		VALVE SEAL		Y
41	C10711500001	1		PARTITION Plate		

曲軸及汽缸 (100/125 CC)

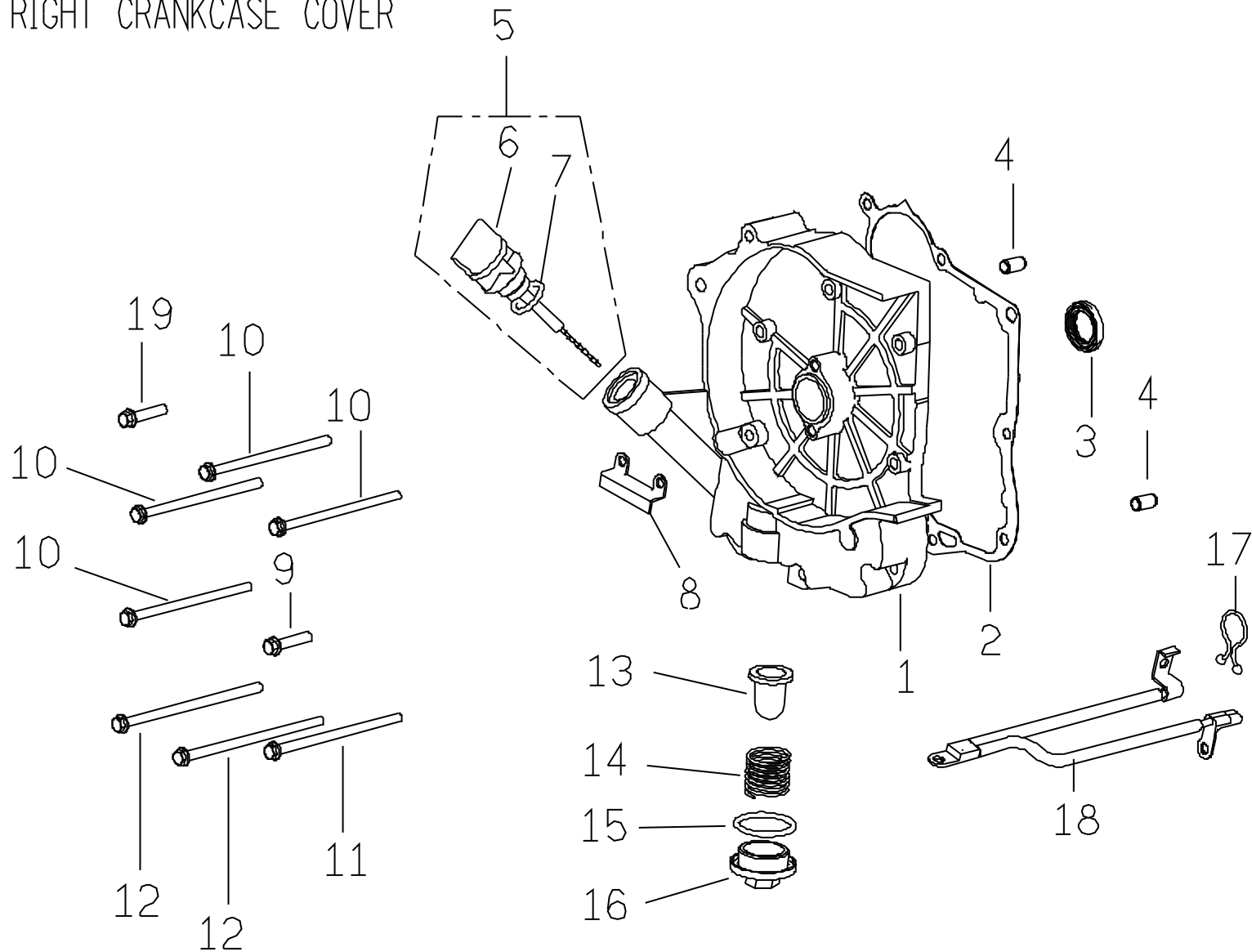
E4. CYLINDER . PISTON . CRANKSHAFT



**E4. BUDDY 125\_CRANKSHAFT**

No.	Part No.	Q'TY	PART NAME	PART NAME	REMARK	FMSP (Y/N)
1	C1066503000	1		CRANKSHAFT COMP.		Y
2	93530402500	2		WOODRUFF KEY		
3	C1067013000	1		PISTON		Y
4	C1067150000	2		CLIP,PISTON PIN		Y
5	C1067110000	1		PISTON PIN		Y
6	C10673100001	1	(1)"R1"	PISTON RING (1)		Y
7	C1067321000	1	(2)"RN"	PISTON RING (2)		Y
8	C1067402000	1		OIL SCRAPER RING COMP		Y
9	C1064011000	1		CYLINDER		Y
10	C1072500000	1		CHAIN ADJUSTER COMP.		Y
11	C1072481000	1		GASKET,CHAIN ADJUSTER		Y
13	C1072560000	1		CHAIN ADJUSTER BOLT		
14	95510900001	1	O	O RING		
15	90190601601	1		HEXAGON FLANGE BOLT		
16	C1064111000	1		GASKET CYLINDER		Y
17	93541001401	2	10*14	LOCK PIN		Y
18	C1072460000	1		CHAIN,CAMSHAFT		Y
19	C1072440000	1		TENSIONER,CAM CHAIN		
20	C1072470000	1		GUIDE COMP,CAM CHAIN		
21	C1072490000	1		PIVOT,CAM CHAIN TENSION		Y
22	95511500001	1	O	O RING		
23	C1062100000	2		ROLLER BEARING		
24	90190601200	1	M6*1.0P*12L	HEXAGON FLANGE BOLT		
25	92140600011	1		PLAIN WASHER		
26	C1066130000	1	□□□□	TIMING SPROCKET		
27	C1066140000	1	□□□□□	OIL PUMP SPROCKET		
28	C106F010000	1	□□□□□□	LH & RH CRANKSHAFT ASSY.		
29	C106F020000	1	□□□□	CONNECTING ROD ASSY.		

E5 RIGHT CRANKCASE COVER

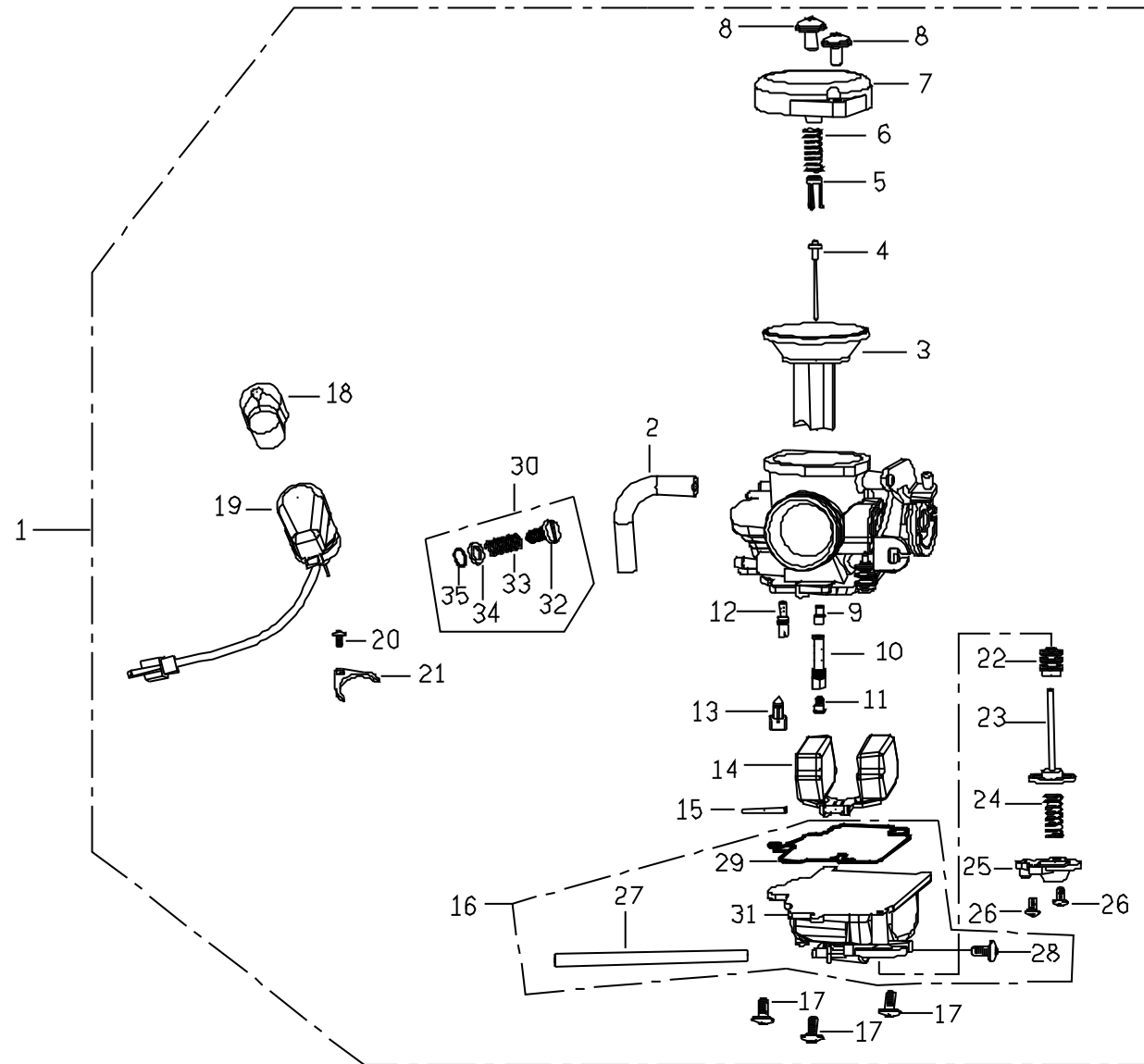


**E5.BUDDY 125 RIGHT CRANKCASE COVER**

No.	Part No.	Q'TY	PART NAME	PART NAME	REMARK	FMSP (Y/N)
1	C10680100002	1		RH. CRANKCASE COVER		Y
2	C1068021000	1		GASKET RH. CRANKCASE COVER		Y
3	95572030501	1	TC ( 30* 18*5t)	OIL SEAL TC TYPE		Y
4	93540801400	2		LOCK PIN		Y
5	C2068110000	1		GAUSE,OIL LEVEL COMP		Y
7	95511800001	1	O	O-RING		
8	C1706640000	1	A.C.G	A.C.G PLATE		
9	90190602700	1	(M6*27L)	HEXAGON FLANGE BOLT		
10	90190609500	4	(M6*95L)	HEXAGON FLANGE BOLT		
11	90190610000	1	(M6*100L)	HEXAGON FLANGE BOLT		
12	90190611000	2	(M6*110L)	HEXAGON FLANGE BOLT		
13	G1062180000	1		SCREEN OIL FILTER		Y
14	C1062190000	1		SPRING OIL FILTER SCREEN		Y
15	95513100000	1	O	O-RING		Y
16	C1062240000	1		CAP TAPPET ADJUSTING HOLE		Y
17	NA	1		PURSE LOCK		
18	P6241031000	1		START MOTOR, GROUNDING LINE		
19	90190603000	1	M6*30L	HEXAGON FLANGE BOLT	for grounding line	



E6. 化油器  
CARBURETOR

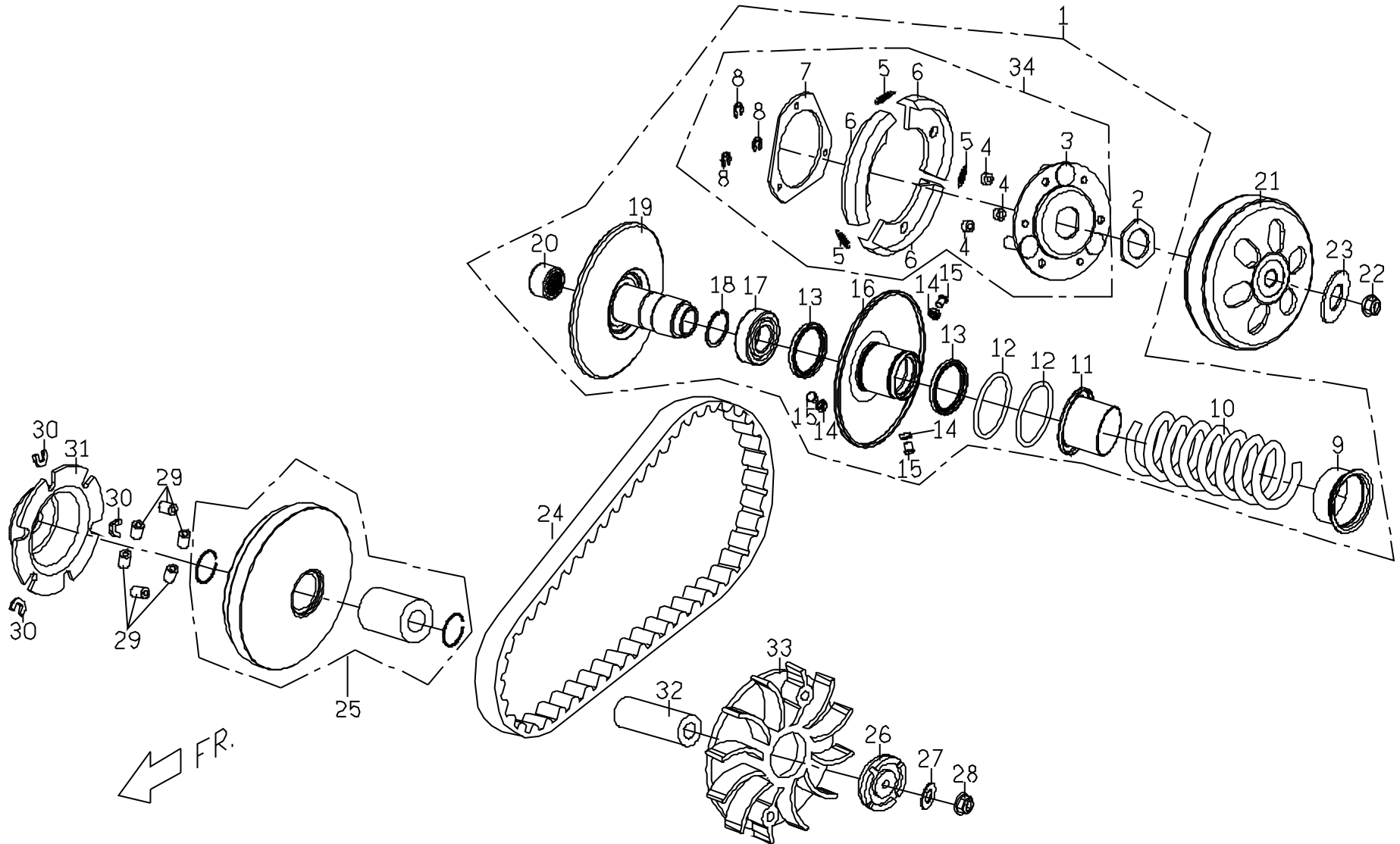


**E6 BUDDY 125 CARBURETOR**

No.	Part No.	Q'TY	PART NAME	PART NAME	REMARK	FMSP (Y/N)
1	C21510010004	1	(CVK24,069 )	CARBURETOR ASSY	BUDDY 125	Y
2	16199-GY6-9000	1		TUBE (AV)		
3	N446-12C00	1		SCREW (P.S)		
4	1402-923-2201	1		VACUUM PISTON COMP	BUDDY 125	Y
5	N425-4HJBN	1		JET NEEDLE COMP	BUDDY 125	
6	122--805-7000	1		SPG SEAT		
7	1290-A23-2000	1		SPG;COMPR		
8	1030-873-7003	1		TOP	BUDDY 125	
9	0110-803-1100	2		SCREW,PAN		
10	N426-33C00	1		NEEDLE JET		
11	N413-18C00	1		NEEDLE JET HOLDER		
12	99101-116-0920	1	(#92)	MAIN JET	BUDDY 125	
13	16155-ZG8-L100	1		FLOAT VALVE COMP		
14	100A-KEB0-0381	1	(#38*#38)	SLOW JET COMP	BUDDY 125	
15	1052-862-2101	1		FLOAT COMP		
16	W9525-25250	1		FLOAT ARM PIN		
17	N350-61C00	1		FLOAT CHAMBER COMP	BUDDY 125	
18	93500-04012-1H	3		SCREW,PAN		
19	1230-856-7001	1		COVER		
20	4000-094-0000	1		AUTO BYSTARTER ASSY	BUDDY 125	Y
21	93892-04008-18	1		SCREW WASHER		
22	1090-873-2001	1		SET PLATE		
23	1028-054-7000	1		RVBBER CAP		
24	1201-830-2201	1		DIAPHRAGM COMP	BUDDY 125	
25	1290-A07-2000	1		SPG;COMPR		
26	1230-851-2001	1		COVER (ACCP)		
27	93500-04010-1H	2		SCREW		
28	1785-402H-0040	1		TUBE (OF)		

# E7 自動變速系統

## CVT TRANSMISSION

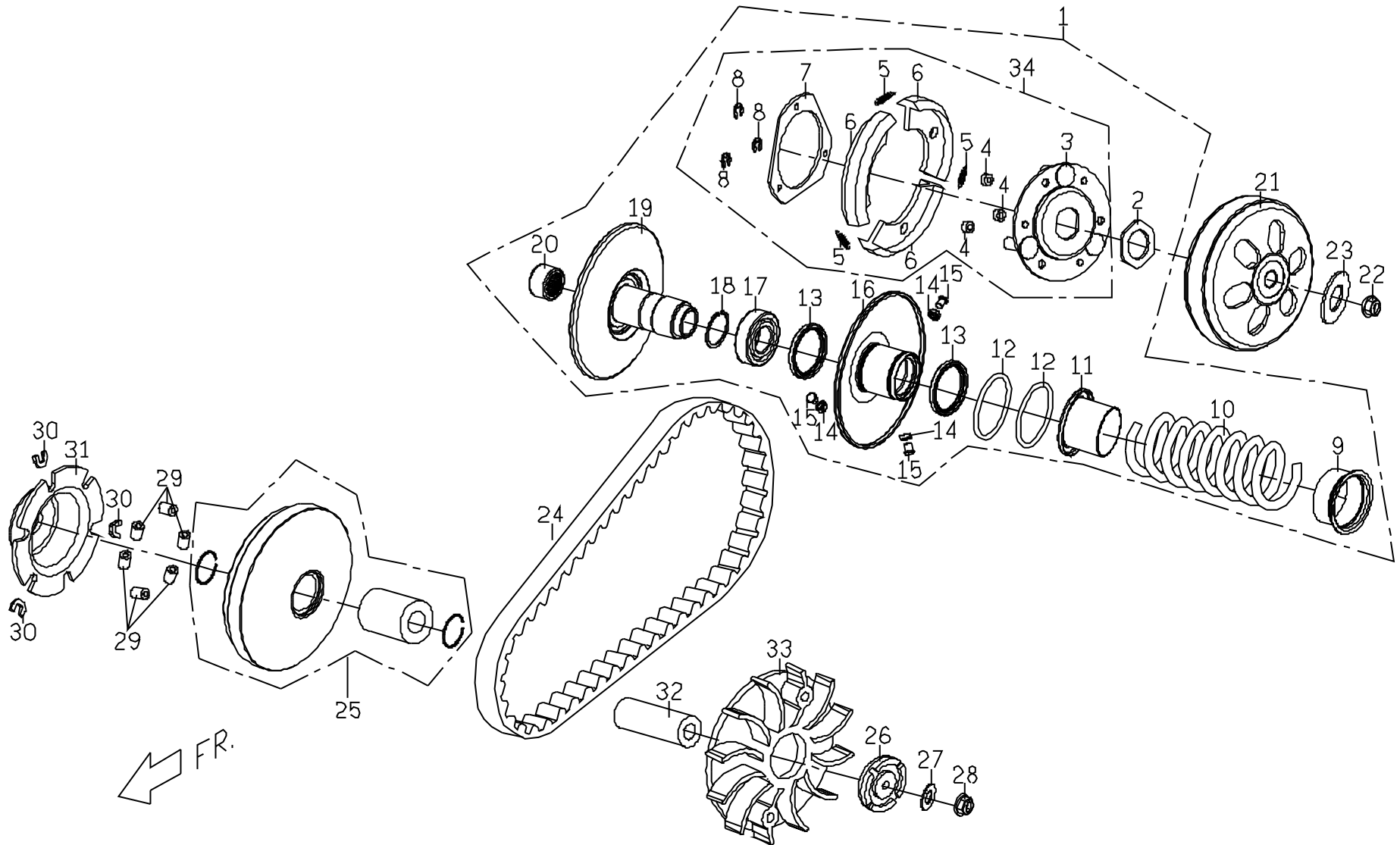


**E7.2 BUDDY 125\_DRIVEN PULLEY****AVAILABLE FOR BUDDY 125**

No.	Part No.	Q'TY	PART NAME	PART NAME	REMARK	FMSP
1	C1123700000	1		BELT PULLEY COMP,DRIVEN FACE		Y
2	P1123410000	1		NUT		
3	C1123300000	1		BODY COMP,DRIVE PLATE		
4	C1123420000	3		DAMPER RUBBER,CLUTCH		
5	C1123430000	3		SPRING,CLUTCH		
6	C1123440000	3		WEIGHT SET,CLUTCH		
7	C1123450000	1		PRESSURE PLATE,CLUTCH		
8	92180700000	3	E	RETAINING RING E TYPE		
9	C1123330000	1		COLLAR,SPRING		
10	C1123520000	1		SPG,DRIVEN FACE		Y
11	C1123530000	1		SEALED SOCKET		
12	95514000001	2	O	O-RING		
13	95593441400	2	G	OIL SEAL G TYPE		
14	C1123250000	3		BUSH		
15	C1123240000	3		PIN,GRIDE		
16	C1123210000	1		BODY COMP,DRIVEN FACE		
17	96520690200	1		DEEP GROOVE BALL BEAR ONE SEAL		
18	92162400000	1	C	RETAINING RING C TYPE		

# E7 自動變速系統

## CVT TRANSMISSION

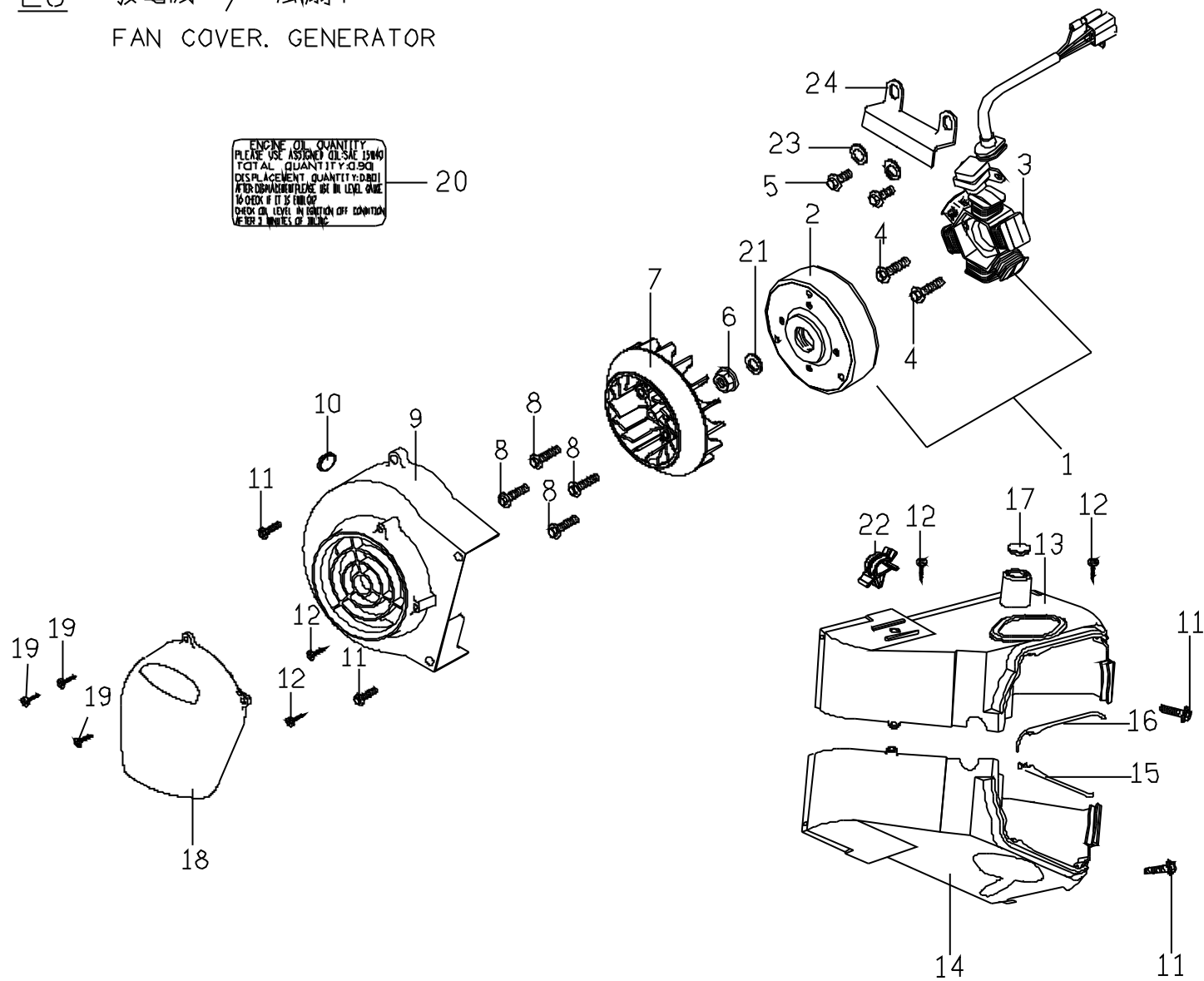


**E7.2 BUDDY 125\_DRIVEN PULLEY****AVAILABLE FOR BUDDY 125**

No.	Part No.	Q'TY	PART NAME	PART NAME	REMARK	FMSP (Y/N)
19	C1123110000	1		DOBY COMP,DRIVEN FACE		
20	96550202900	1		NEEDLE BEARING		
21	C1123510000	1		OUTER BODY COMP,CLUTCH		
22	92041200002	1	(M12)	HEXAGON FLANGE NUT (M12)		Y
23	92141200005	1		PLAIN WASHER		
24	C21220000001	1		BELT		Y
25	C11211000001	1		FACE MOVABLE DRIVE		Y
26	C1251030000	1		RATCHET KICK STARTER		Y
27	92141200005	1		PLAIN WASHER		
28	92041200002	1	(M12)	HEXAGON FLANGE NUT (M12)		
29	C11212000001	6		WEIGHT ROLLER COMP.(BLUE)	BLUE, 11g	Y
30	C1121321000	3		SIDE PIECE		Y
28	C1121310000	1		RAMP PLATE		Y
29	C1121050000	1		BOSS,MOVABLE DRIVE FACE		Y
33	C11210600001	1		DRIVE FACE		Y
34	C1123600000	1		DRIVEN PULLEY ASSY.		Y

E8 發電機 / 風扇罩  
 FAN COVER, GENERATOR

ENGINE OIL QUANTITY  
 PLEASE USE ASSIGNED OIL SAE 15W40  
 TOTAL QUANTITY 0.80L  
 DISPLACEMENT QUANTITY 0.80L  
 IF OIL DOWN PLEASE USE IN LEVEL GAGE  
 TO CHECK IF IT IS LOW OIL  
 CHECK OIL LEVEL IN POSITION OFF POSITION  
 EVERY 3 MINUTES OF RUNNING



**E9 . BUDDY 125\_GENERATOR**

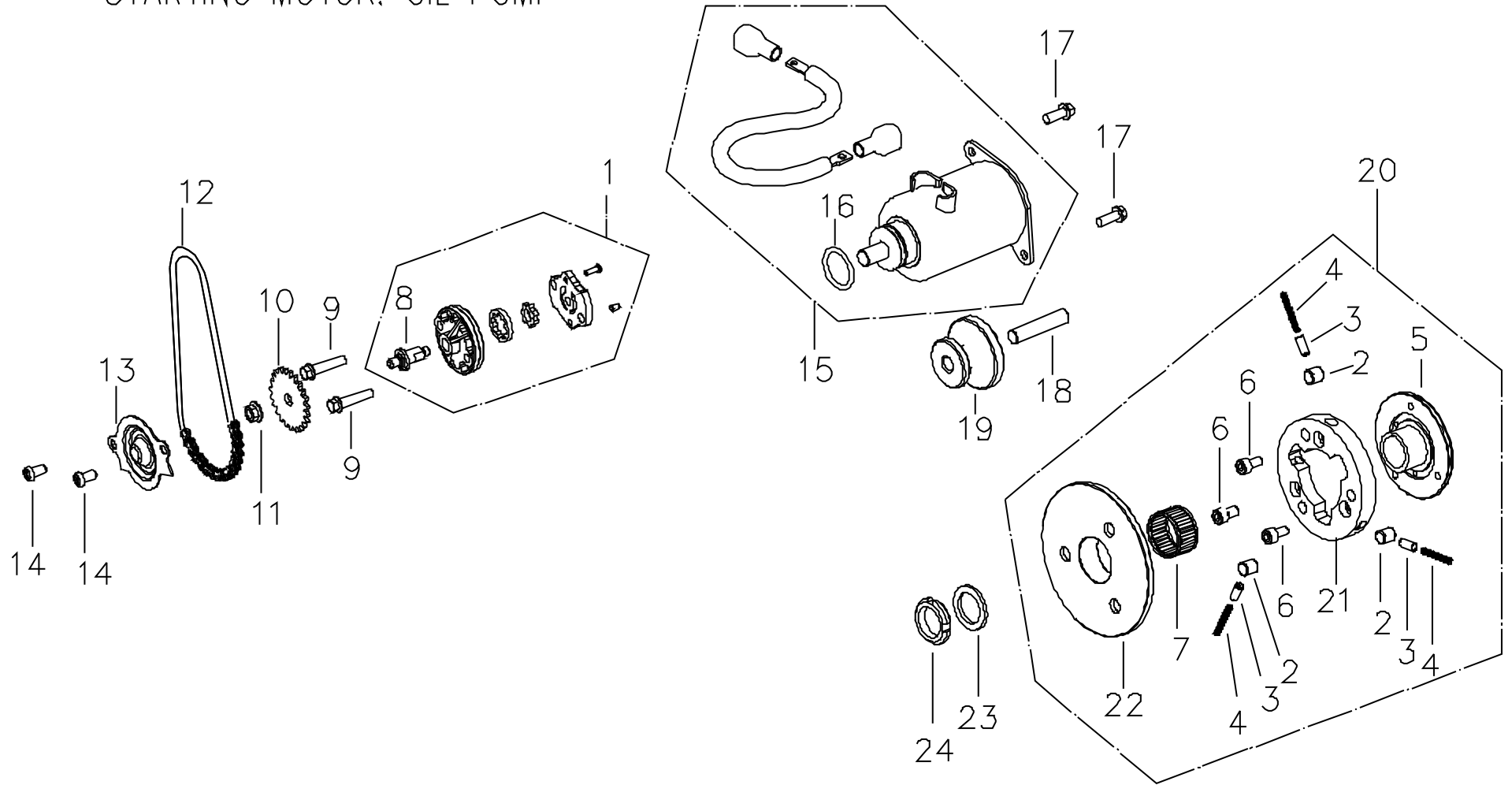
No.	Part No.	Q'TY	PART NAME	PART NAME	REMARK	FMSP (Y/N)
1	C1221000001	1	( )	AC GENERATOR ASSY(AC LIGHT)		Y
2	C12210100001	1	( )	FLYWHEEL COMP(AC LIGHT)		
3	C12210200001	1	( )	STATOR COMP(AC LIGHT)		Y
4	90180602000	2	(M6*20L)	HEXAGON FLANGE BOLT		
5	90190501201	2	(M5*12L)	HEXAGON FLANGE BOLT		
6	92041200000	1		HEXAGON FLANGE NUT		
7	C1043001000	1		FAN		Y
8	90190601204	4		HEXAGON FLANGE BOLT		
9	C1042001000	1		FAN COVER		Y
10	C1042030000	1		RUBBER PLUG		
11	90180602000	4	(M6*20L)	HEXAGON FLANGE BOLT		
12	90150501600	4	(M5*16L)	CR PAN HD.TAPPING SCREW		
13	C1042213000	1	(2)	COOLING COWL(2)		Y
14	C1042102000	1	(1)	COOLING COWL(1)		Y
15	C1042120000	1	(1)	SEAL,COOLING HOOD(1)		
16	C1042220000	1	(2)	SEAL,COOLING HOOD(2)		
17	C1701260000	1		RUBBER PLUG		
18	C1042242000	1		FAN COVER'S COVER		
19	90110401600	3	(M5*16L)	CR PAN HD.TAPPING SCREW		
20	C16031300001	1	( )	ENG., OIL NOTICE LABEL		
21	92141200005	1		PLAIN WASHER		
22	NA	1		PLASTIC LOCKER		
23	92140500014	2		PLAIN WASHER		
24	C1706640000	1	ACG	ACG PLATE		
25	NA	1		HEAT PIPE		



E9

起動馬達

STARTING MOTOR, OIL PUMP




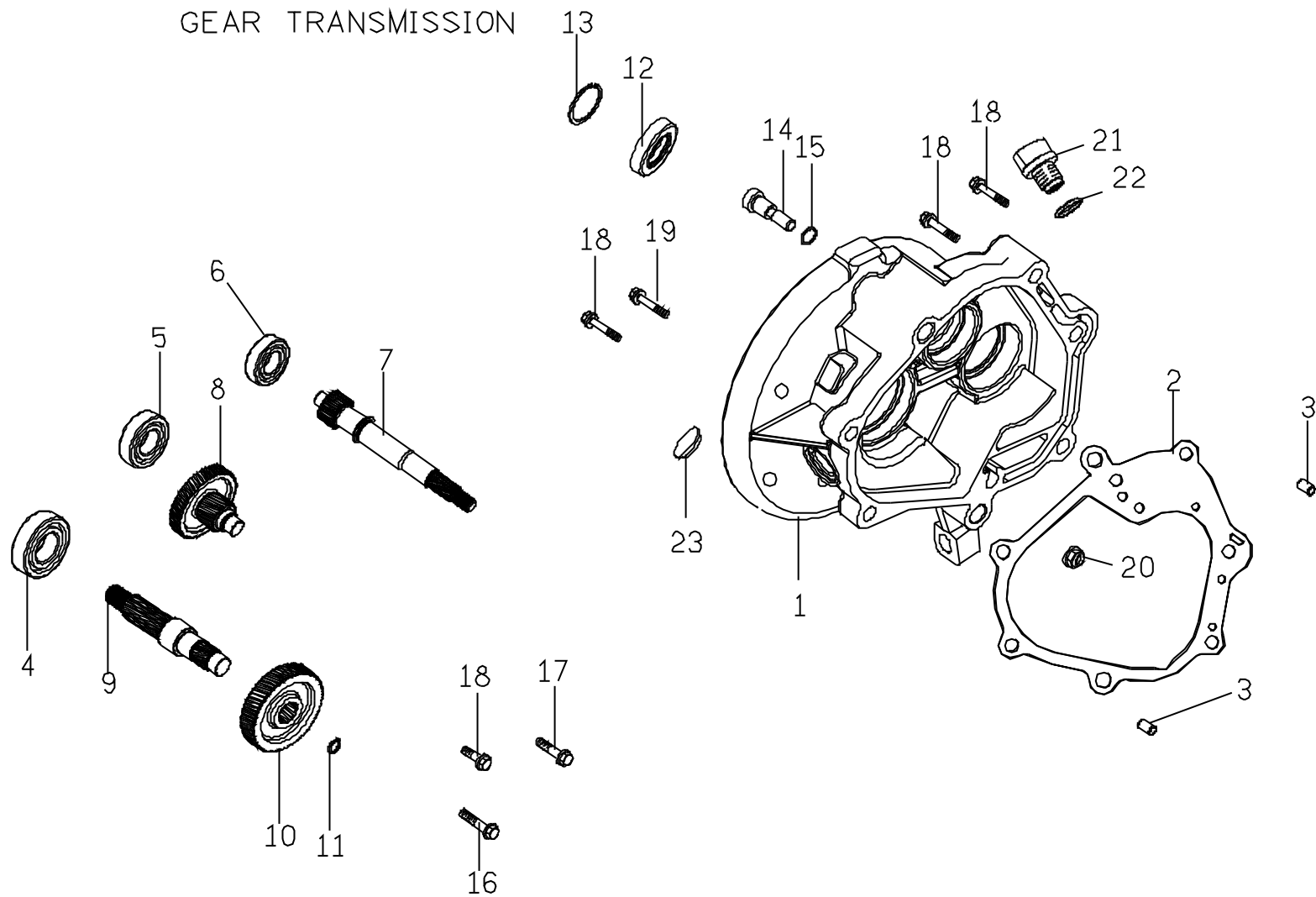
**E8. BUDDY 125\_STARTING MOTOR**

No.	Part No.	Q'TY	PART NAME	PART NAME	REMARK	FMSP (Y/N)
1	C1081000000	1		OIL PUMP ASSY		Y
2	C1243030000	3		ROLLER ONE WAY CLUTCH		
3	C1243020000	3		COP,ROLLER SPRING		
4	G1243010000	3		COMPRESS SPRING		
5	C12430500001	1		COVER CLUTCH OUTER		
6	90210801000	3		INNER HEX BOLT		
7	96590283200	1		NEEDLE BEARING		
8	C1081070000	1		SHAFT,OIL PUMP		Y
9	90190602700	2	(M6*27L)	HEXAGON FLANGE BOLT		
10	C1081030000	1		SPRKT OIL PUMP DRIVEN		
11	92040600000	1	(M6*1.0P)	HEXAGON FLANGE BOLT		
12	C1081220000	1		CHAIN,OIL PUMP		Y
13	C1081230000	1		OIL SEPARATER		
14	E1681030000	2		WITH SPRING WASHER HEX BOLT		
15	C1241000000	1		STARTING MOTOR COMP.		Y
16	95512400002	1	O	O RING		
17	90190601601	2		HEXAGON FLANGE BOLT		
18	C1242040000	1		SHAFT,STARTET REDUCTION GEAR		
19	C1242010000	1		GEAR,STARTER REDUCTION		
20	C12430000001	1		ONE WAY CLUTCH ASSY.		Y
21	NA	1		ONE WAY CLUTCH COMP.		
22	C1244000000	1		GEAR COMP.STARTING CLUTCH		
23	92142200000	1		PLAIN WASHER		
24	C1243060000	1	( )	NUT LOCK(L THREAD)		Y

# E10 傳動齒輪箱

GEAR TRANSMISSION

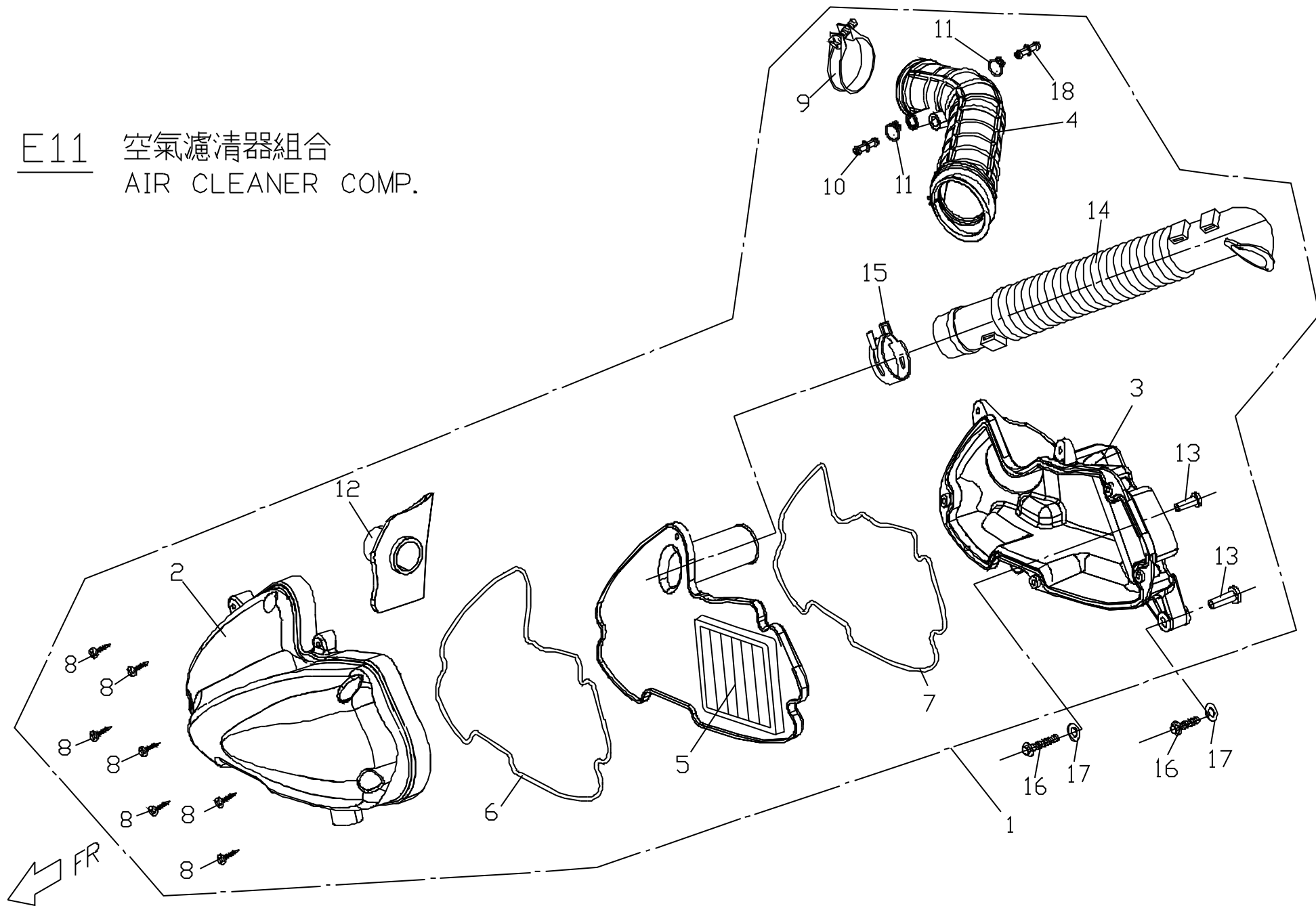
FR. 



**E10. BUDDY 125\_GEARBOX**

No.	Part No.	Q'TY	PART NAME	PART NAME	REMARK	FMSP (Y/N)
1	C2141011000	1		TRANSMISSION COVER		Y
2	C2141021000	1		TRANSMISSION COVER GASKET		Y
3	93541001401	2	(10*14)	LOCK PIN		Y
4	96510630100	1	(6301)	BALL BEARING		Y
5	96510600200	1	(6002)	BALL BEARING		Y
6	96530622200	1	(6222)	BALL BEARING.DOUBLE SEALED		Y
7	C11411000001	1	(15T)	DRIVE SHAFT (15T)		
8	C11412000001	1	(42T)	IDLE GEAR COMP. (42T)		
9	C1141411000	1		AXLE DRIVE		Y
10	C1141310000	1		FINAL GEAR		
11	92172000000	1	C	RETAINING RING C TYPE		
12	95572742702	1	TC ( 42* 25.8*7t)	OIL SEAL TC TYPE		Y
13	92165000000	1	C ( )	RETAINING RING C TYPE		
14	C2407431000	1		PIVOT REAR BK.SHDE		
15	95510800000	1	O (7.5*1.5)	O RING		
16	90190805001	1	(M8*50L)	HEXAGON FLANGE BOLT		
17	90190804501	1	(M8*45L)	HEXAGON FLANGE BOLT		
18	90190804003	4	(M8*40L)	HEXAGON FLANGE BOLT		
19	90190802600	1	(M8*26L)	HEXAGON FLANGE BOLT		
20	92060800000	1	(M8*1.25P)	HEXAGON FLANGE NUT		
21	P1062150000	1		OIL BOLT		
22	95511300001	1	O	O-RING		

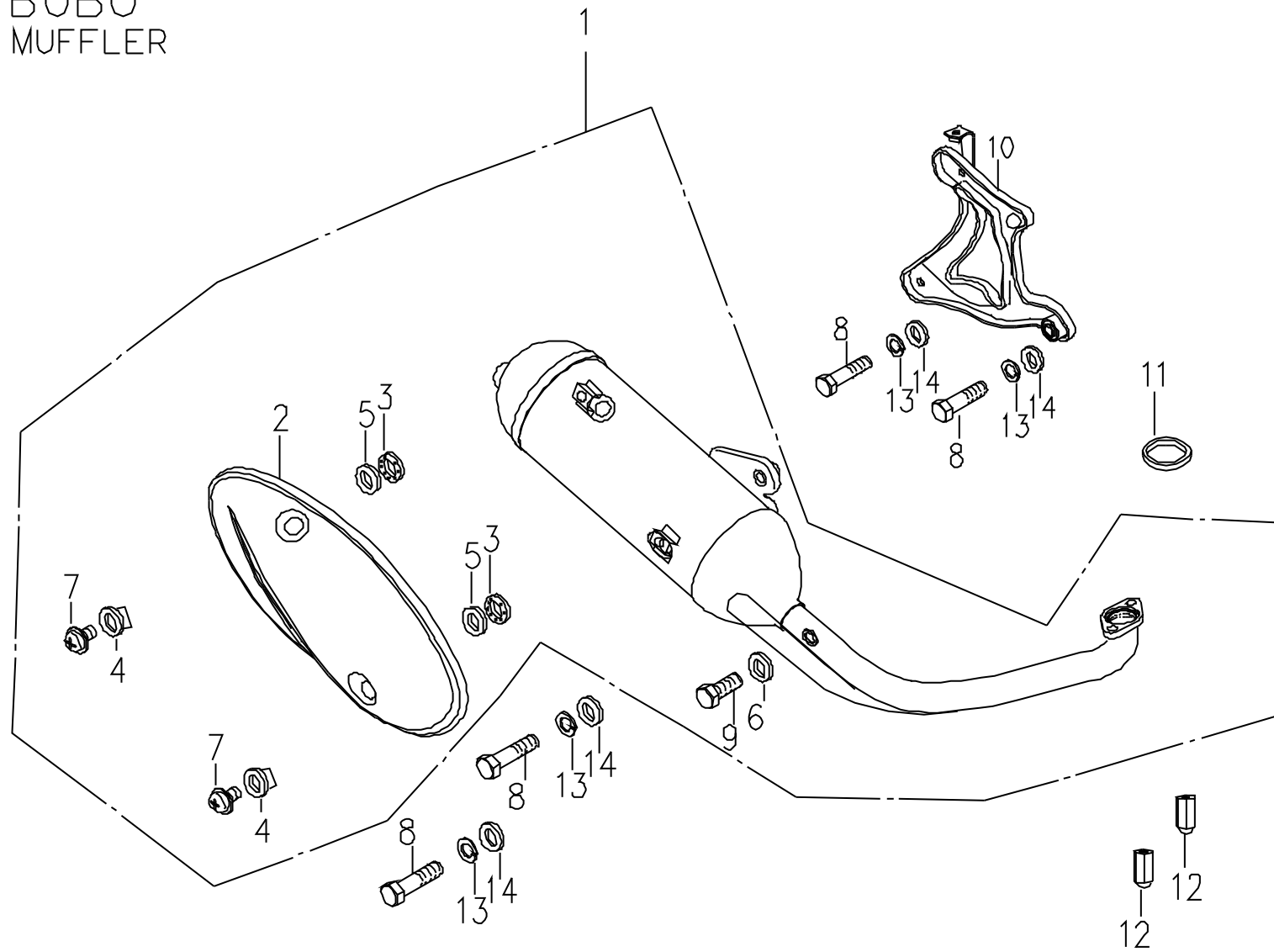
E11 空氣濾清器組合  
AIR CLEANER COMP.



**E11 BUDDY 125\_AIR CLEANER**

No.	Part No.	Q'TY	PART NAME	PART NAME	REMARK	FMSP (Y/N)
1	P6262000002	1		AIR CLEANER COMP	BUDDY 125	Y
2	P6262020000	1		COVER,AIR CLEANER		Y
3	NA	1		BODY,AIR CLEANER		
4	P62620800002	1		CONNECTION DIPE		
5	P6262030000	1		AIR FILTER		Y
6	P6262040000	1	(1)	PACKING,AIR FILTER		
7	P6262230000	1	(2)	PACKING,AIR FILTER		
8	90150502000	7		C-R ROUND HD.TAPPING SCREW		
9	P62621100001	1	( )	CLIP(BLACK)	BUDDY 125	
10	P6262360000	2		PIPE, TWO WAY		
11	92201200000	2		CLIP	BUDDY 125	
12	P6262050000	1	(IN)	INLET PIPE		
13	P6262060000	2		BUSH		
14	P6262270000	1		INLET CONNECTING PIPE		
15	92214000000	1		CLIP		
16	90190604500	1	(M6*45L)	HEXAGON FLANGE BOLT		
17	90190603500	1	(M6*35L)	HEXAGON FLANGE BOLT		
18	P6262370000	1		TUBE PLUG		

E12 BUBU  
MUFFLER

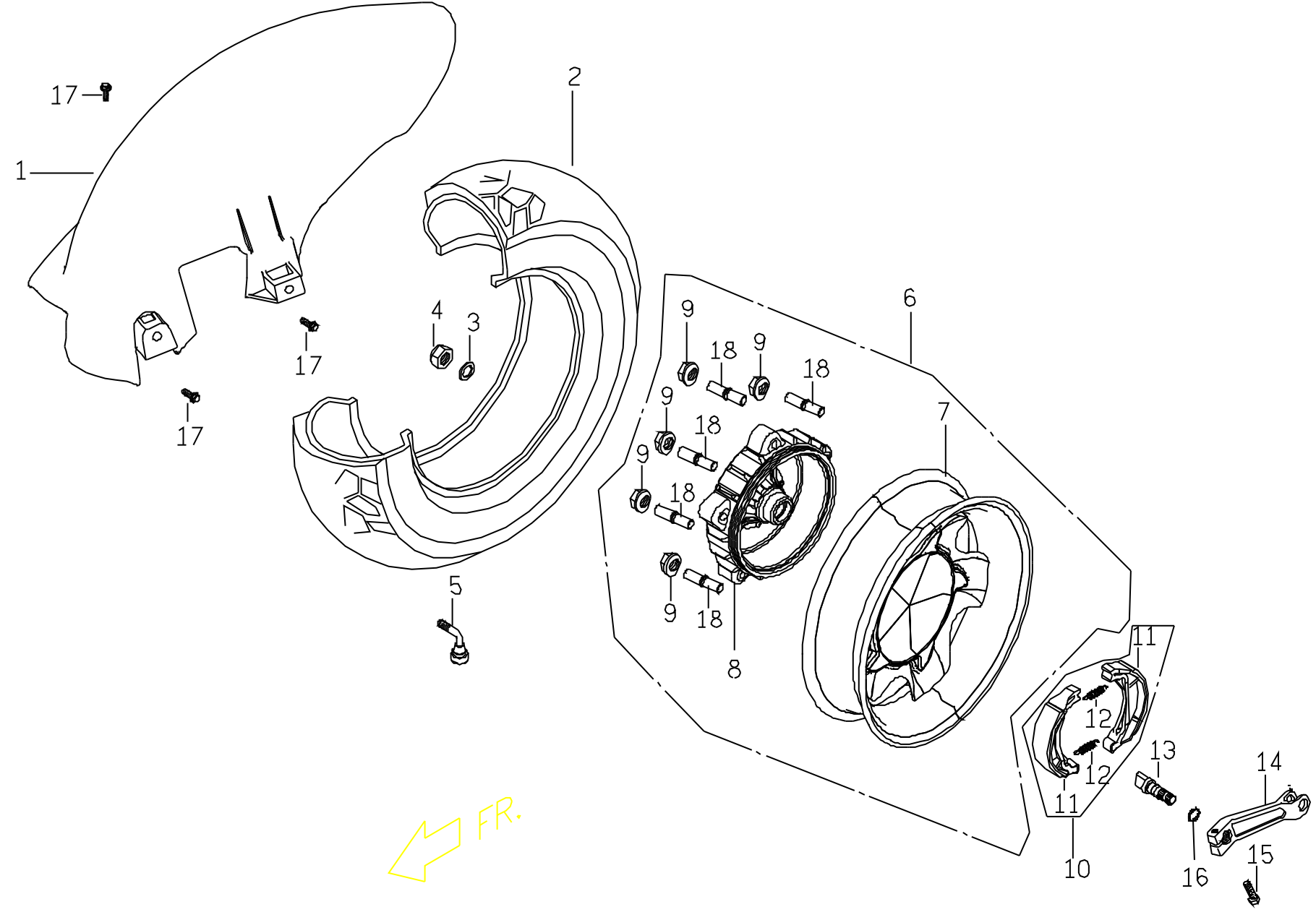


**E12. BUDDY 125\_MUFFLER**

No.	Part No.	Q'TY	PART NAME	PART NAME	REMARK	FMSP (Y/N)
1	C22810010001	1		MUFFLER ASSY		Y
2	C2281010000	1		HEAT PROTECTOR		Y
3	92140600015	2		HIGH TEMPERATURE PLAIN WASHER		
4	C128A010000	2		CIRCLET		
5	C128A020000	2		INNER SPACER		
6	92140800001	1		PLAIN WASHER		
7	90050601201	2		C-R ROUND HD.TAPPING SCREW		
8	90190804003	4	(M8*40L)	HEXAGON HEAD BOLT		
9	90020801000	1		HEXAGON HEAD BOLT		
10	C2281042000	1		MUFFLER BRACKET		
11	E9281020000	1		GASKET,EXHAUST PIPE		Y
12	92050800000	2		HEXAGON FLANGE NUT		
13	92110800000	4		SPRING WASHER		
14	92140800000	4		PLAIN WASHER		



# E13 REAR WHEEL



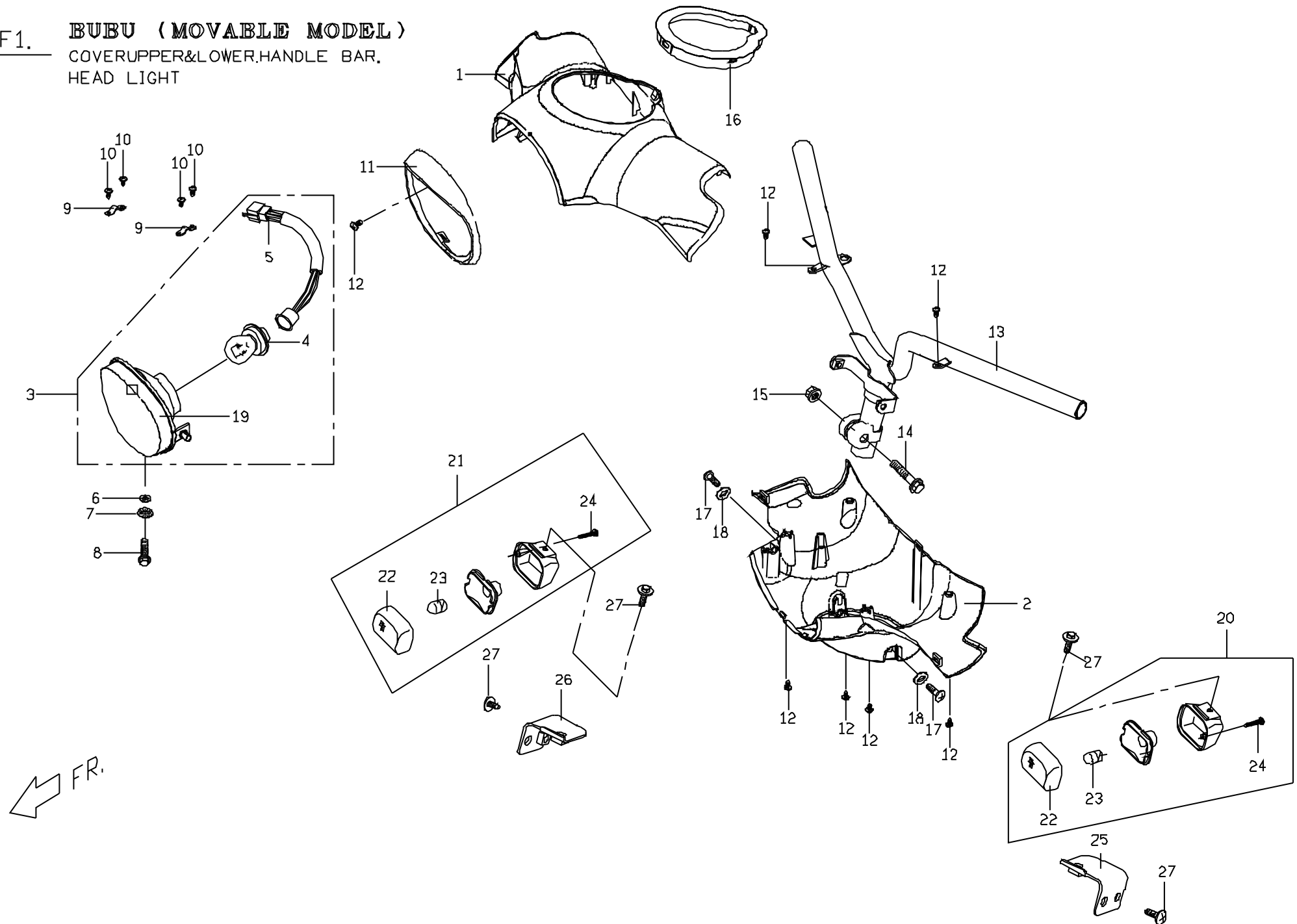
**E13. BUDDY 125\_REAR WHEEL**

No.	Part No.	Q'TY	PART NAME	PART NAME	REMARK	FMSP (Y/N)
1	C2634000650	1	( )	REAR FENDER		Y
2	C240B320000	1	(3.5-10")	TIRE ASSY(3.5-10")		Y
3	92141700001	1		PLAIN WASHER		
4	92011600000	1	U (M16)	U TYPE NUT		
5	P140B330000	1		VALVE		
6	C2407104770	1	( )	RR WHEEL COMP.(SILVER)		Y
7	C2407144770	1	( )	REAR WHEEL RIM(SILVER)		
8	C2407131770	1	( )	HUB REAR (SILVER)		
9	92060800000	5	( M8*1.25)	HEXAGON FLANGE NUT		
10	C24074010000	1		BRAKE SHOE ASSY.		Y
11	NA	2		BRAKE SHOE COMP.		
12	C2407410000	2		BRAKE SHOE SPRING		
13	C2407443000	1		CAM REAR BRAKE		
14	C24074700001	1		ARM,REAR BRAKE		
15	90020602203	1		HEXAGON BOLT		
16	95511200000	1	O	O RING		
17	90190602002	3	(M6*20L)	HEXAGON FLANGE BOLT		
18	90170803601	5		STUD BOLT		

F1.

**BUBU (MOVABLE MODEL)**

COVER UPPER & LOWER, HANDLE BAR,  
HEAD LIGHT



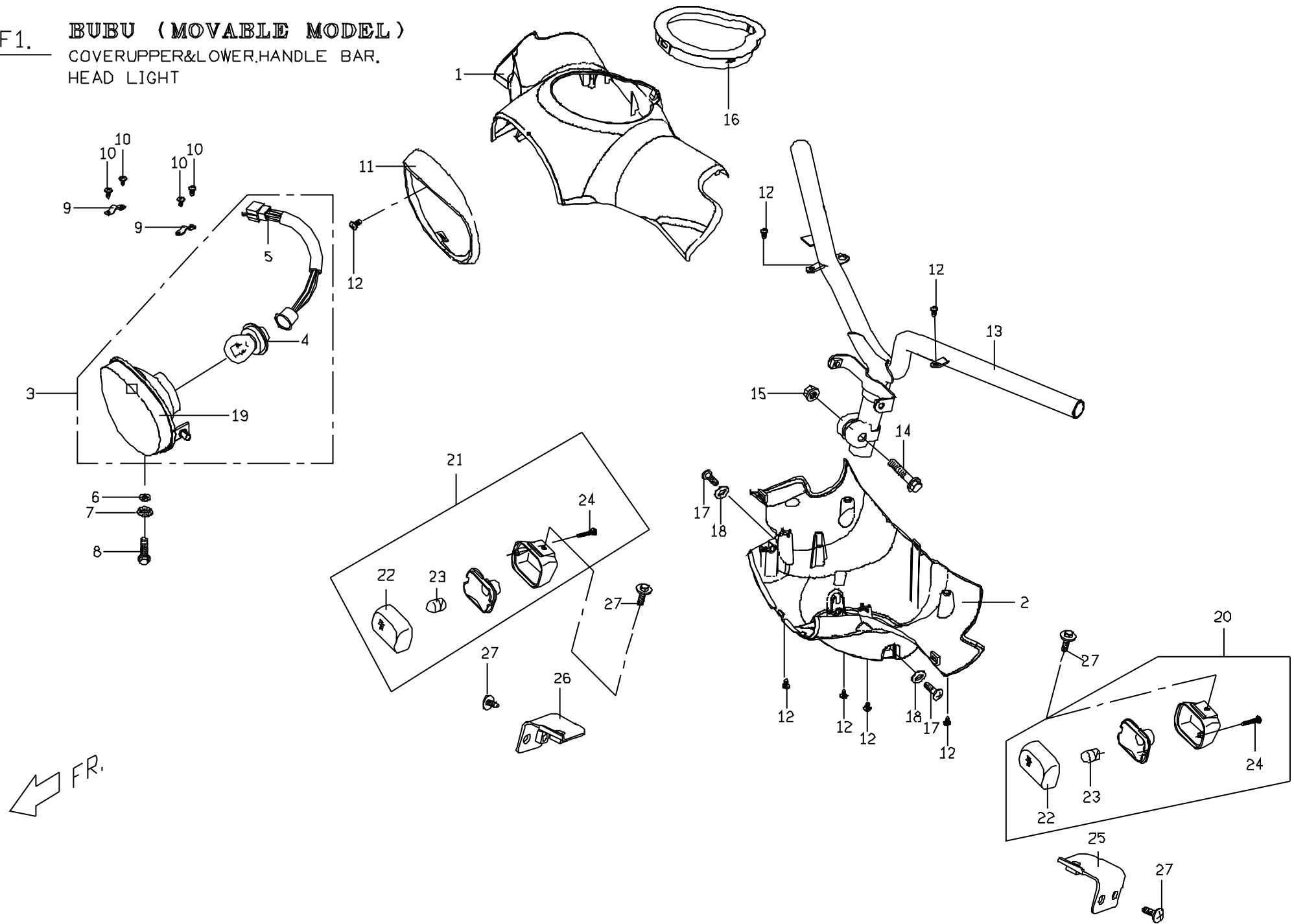
**F1. BUDDY 50/125\_HEADLIGHT / STEERING HANDLE**

No.	Part No.	Q'TY	PART NAME	PART NAME	REMARK	FMSP (Y/N)
1	P56130001Q0	1		COVER,UPPER(DISK)	PINK	Y
1	P56130002N0	1		COVER,UPPER(DISK)	ORANGE	Y
1	P5613000690	1		COVER,UPPER(DISK)	BLACK	Y
1	P56130002M0	1		COVER,UPPER(DISK)	LIGHT-YELLOW	Y
2	P561D0001R00	1		COVER,LOWER	PINK	Y
2	P561D0002Q00	1		COVER,LOWER	BROWN	Y
2	P561D0006500	1		COVER,LOWER	BLACK	Y
3	P56610000002	1		HEADLIGHT COMP		Y
4	98111235301	1	(12V35/30W)	BULB(12V35/30W)		
5	NA	1		CONNECTING WIRE		
6	92140500014	1		PLAIN WASHER		
7	92130600000	1		WASHER		
8	E1613010000	1		REGULATING SCREW		
9	P5706010000	2		FRONT LIGHT PLATE		
10	90130301000	4		C-R RECESS PAN HD TAPPING SCREW		
11	P5613030000	1		FR.HEAD LIGHT COVER		Y
12	90110401200	7		C-R RECESS PAN HD TAPPING SCREW		
13	P56120026000	1	(E.D)	HANDLE BAR ASSY		Y
14	90191004600	1		HEXAGON FLANGE BOLT		
15	92061000001	1		HEXAGON LOCK NUT		
16	P5613020000	1		SPEED METER SIDE COVER		Y
17	90040601400	2		C-R RECESS PAN HD TAPPING SCREW		
18	92140600000	2		PLAIN WASHER		
19	NA	1		LAMP COMP		
20	C166C0110004	1	DOT +	FRONT SIGNAL LAMP ASSY.,LH	DOT	Y
21	C166D0110004	1	DOT +	FRONT SIGNAL LAMP ASSY.,RH	DOT	Y
22-1	C166C0500004	1		LENS, LH FRONT SIGNAL LAMP		Y
22-2	C166D0500004	1		LENS, RH FRONT SIGNAL LAMP		Y

F1.

# BUBU (MOVABLE MODEL)

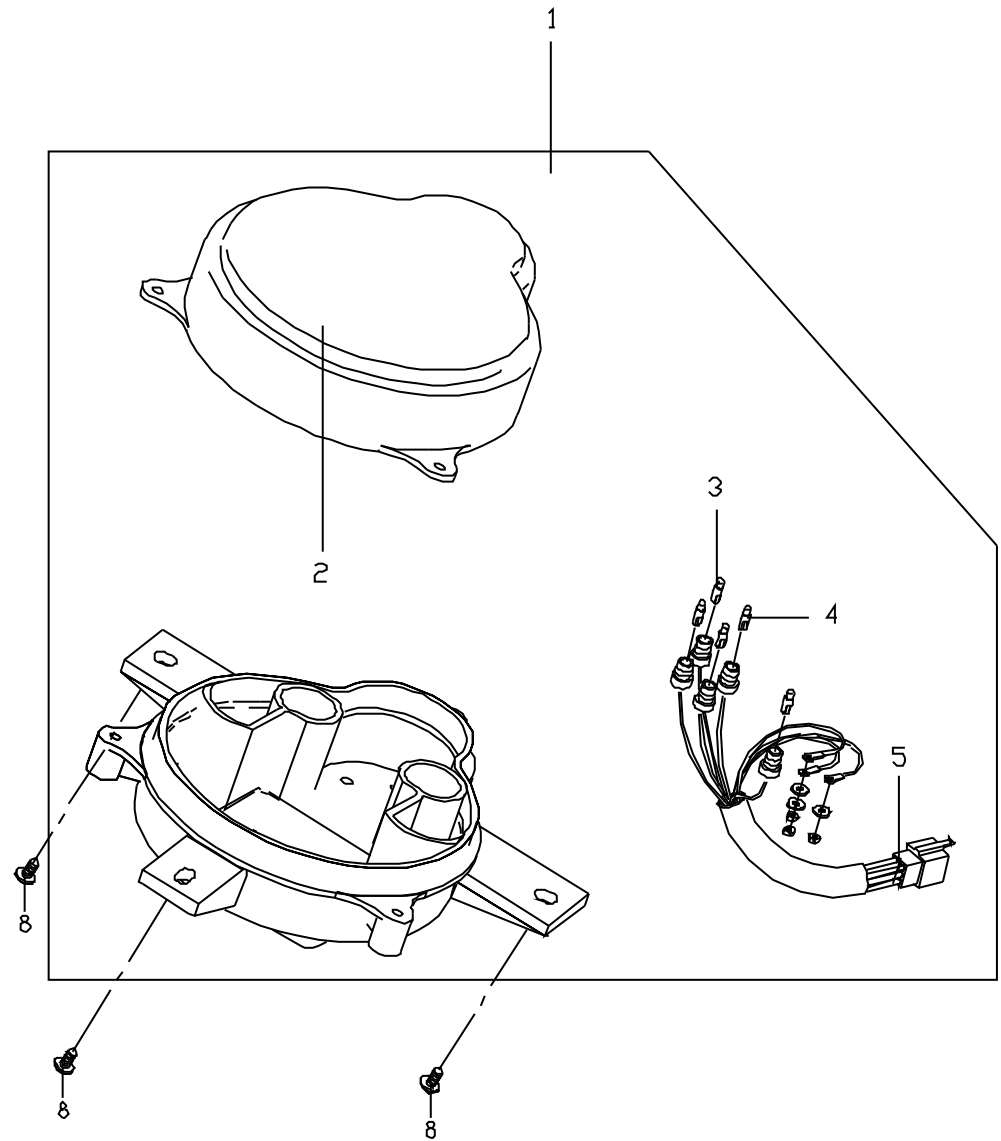
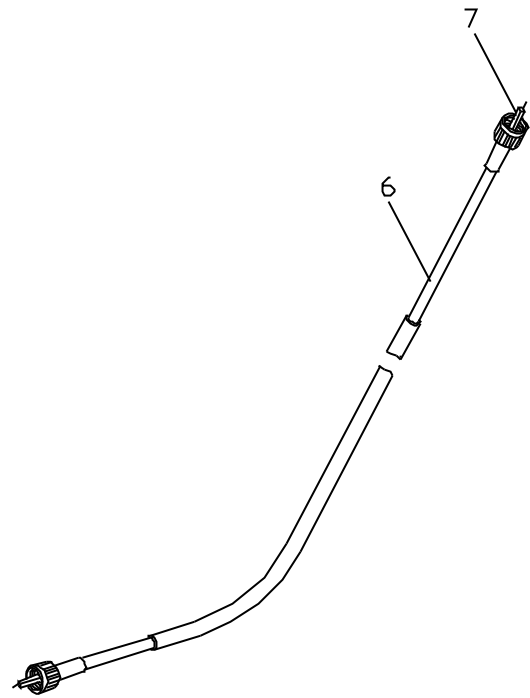
COVER UPPER & LOWER, HANDLE BAR, HEAD LIGHT



**F1. BUDDY 50/125\_HEADLIGHT / STEERING HANDLE**

No.	Part No.	Q'TY	PART NAME	PART NAME	REMARK	FMSP (Y/N)
23	98211221990	2		BULB, SIGNAL LAMP	YELLOW,21W	Y
24	C166G0500005	2		SCREW		
25	P17066400000	1	( )	BRACKET, FRT SIGNAL LAMP, LH		Y
26	P170F6400000	1	( )	BRACKET, FRT SIGNAL LAMP, RH		Y
27	90200501600	4		WITH WASHER BOLT		

F2 **BUBU**  
SPEEDOMETER

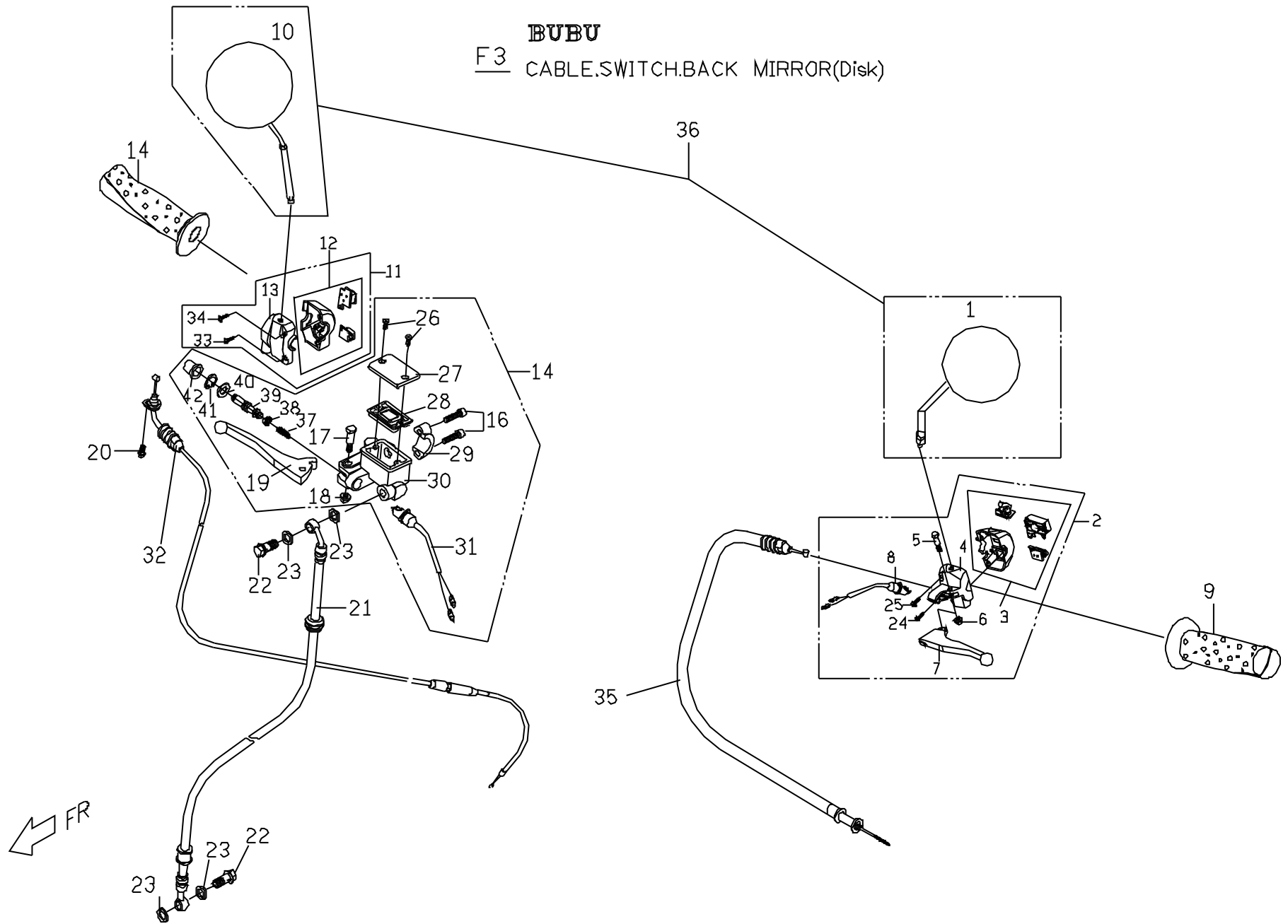


**F2. BUDDY 50/125\_SPEEDOMETER**

No.	Part No.	Q'TY	PART NAME	PART NAME	REMARK	FMSP (Y/N)
<b>1</b>	<b>P6561000006</b>	<b>1</b>		<b>SPEEDOMETER ASSY.</b>	<b>BUDDY-50</b>	<b>Y</b>
<b>1</b>	<b>P6561000007</b>	<b>1</b>		<b>SPEEDOMETER ASSY.</b>	<b>BUDDY-125</b>	<b>Y</b>
2	P556A010000	1		COVER UPPER		
3	P556A030000	1	(3W,)	BULB		
4	P556A020000	5	(1.7W)	BULB		
5	P556A040000	1		CONNECTING WIRE		
<b>6</b>	<b>P5544003000</b>	<b>1</b>		<b>SPEEDOMETER CABLE ASSY (DISK)</b>	<b>BUDDY-50</b>	<b>Y</b>
<b>6</b>	<b>P6544002000</b>	<b>1</b>		<b>SPEEDOMETER CABLE ASSY (DISK)</b>	<b>BUDDY-125</b>	<b>Y</b>
7	NA	1		INNER WIRE(DISK)		
8	90110401200	3		C-R RECESS PAN HD TAPPING SCREW		



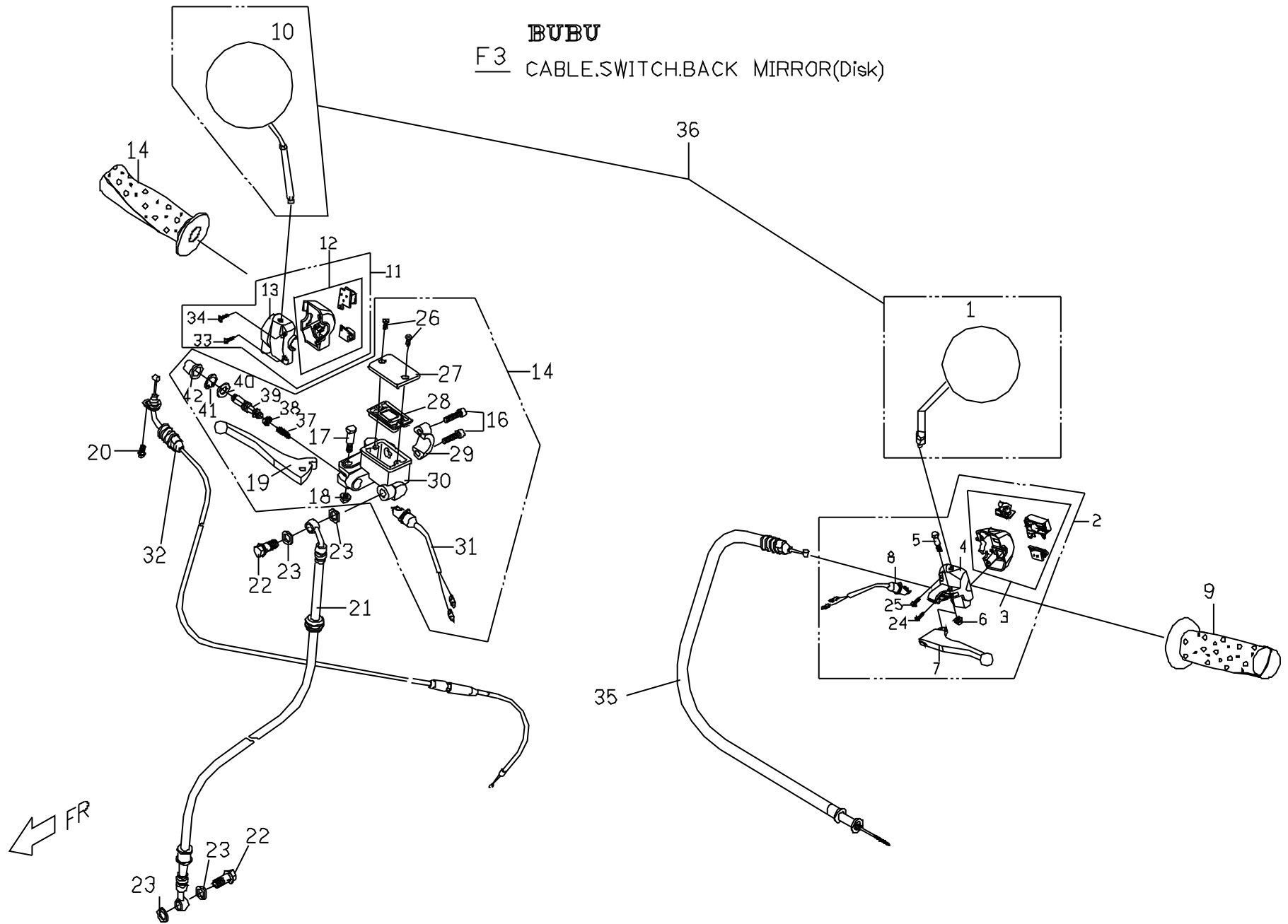
**BUBU**  
F3 CABLE.SWITCH.BACK MIRROR(Disk)



**F3. BUDDY 50/125\_CABLE / SWITCH**

No.	Part No.	Q'TY	PART NAME	PART NAME	REMARK	FMSP (Y/N)
1	P561F0100001	1		LH BACK MIRROR(STAINLESS)		
2	P1546003000	1		LEVER HOLDER ASSY(LEFT)		Y
3	P154F410000	1	2	CASE,SWITCH UNDER 2 COMP		
4	P154F020000	1	1	CASE,SWITCH UNDER 1		
5	P154F030000	1		BOLT		
6	P154F040000	1		LOCK NUT		
7	P1543303000	1		LEVER,LH BRAKE		Y
8	C2548220000	1		LH BRK SWITCH COMP		Y
9	<b>P05410010000</b>	<b>1</b>		<b>LH GRIP ASSY</b>	<b>BLACK</b>	<b>Y</b>
9	<b>P05410010001</b>	<b>1</b>		<b>LH GRIP ASSY</b>	<b>WHITE</b>	<b>Y</b>
9	<b>P05410010002</b>	<b>1</b>		<b>LH GRIP ASSY</b>	<b>BROWN</b>	<b>Y</b>
10	P561F0200001	1	,	RH BACK MIRROR(STAINLESS)		
11	<b>P15480000001</b>	<b>1</b>		<b>LEVER HOLDER ASSY,RH</b>		<b>Y</b>
12	P154H190000	1	2	CASE,SWITCH UNDER 2 COMP		
13	P154H020000	1	1	CASE,SWITCH UNDER 1		
14	<b>P05420010000</b>	<b>1</b>		<b>RH GRIP ASSY</b>	<b>BLACK</b>	<b>Y</b>
14	<b>P05420010001</b>	<b>1</b>		<b>RH GRIP ASSY</b>	<b>WHITE</b>	<b>Y</b>
14	<b>P05420010002</b>	<b>1</b>		<b>RH GRIP ASSY</b>	<b>BROWN</b>	<b>Y</b>
15	P5403000000	1		FRT BRAKE MASTER CYLINDER		Y
16	P140C250000	2		HEX SOCKET HEAD BOLT		
17	P140C220000	1		BOLT		
18	P140C230000	1		FLANGE NUT		
19	P140C191000	1		LEVER,RH BRAKE		Y
20	90050501200	1		C-R RECESS PAN HD TAPPING SCREW		
21	<b>P64036000001</b>	<b>1</b>		<b>FRT BRAKE FLUID HOSE COMP</b>	<b>BUDDY 50</b>	
21	<b>P64036000000</b>	<b>1</b>		<b>FRT BRAKE FLUID HOSE COMP</b>	<b>BUDDY 125</b>	
22	P14038110000	2		JOINT BOLT,BRAKE HOSE		
23	92141000002	4		PLAIN WASHER		
24	P154F390000	1		SCREW,PAN HEAD		

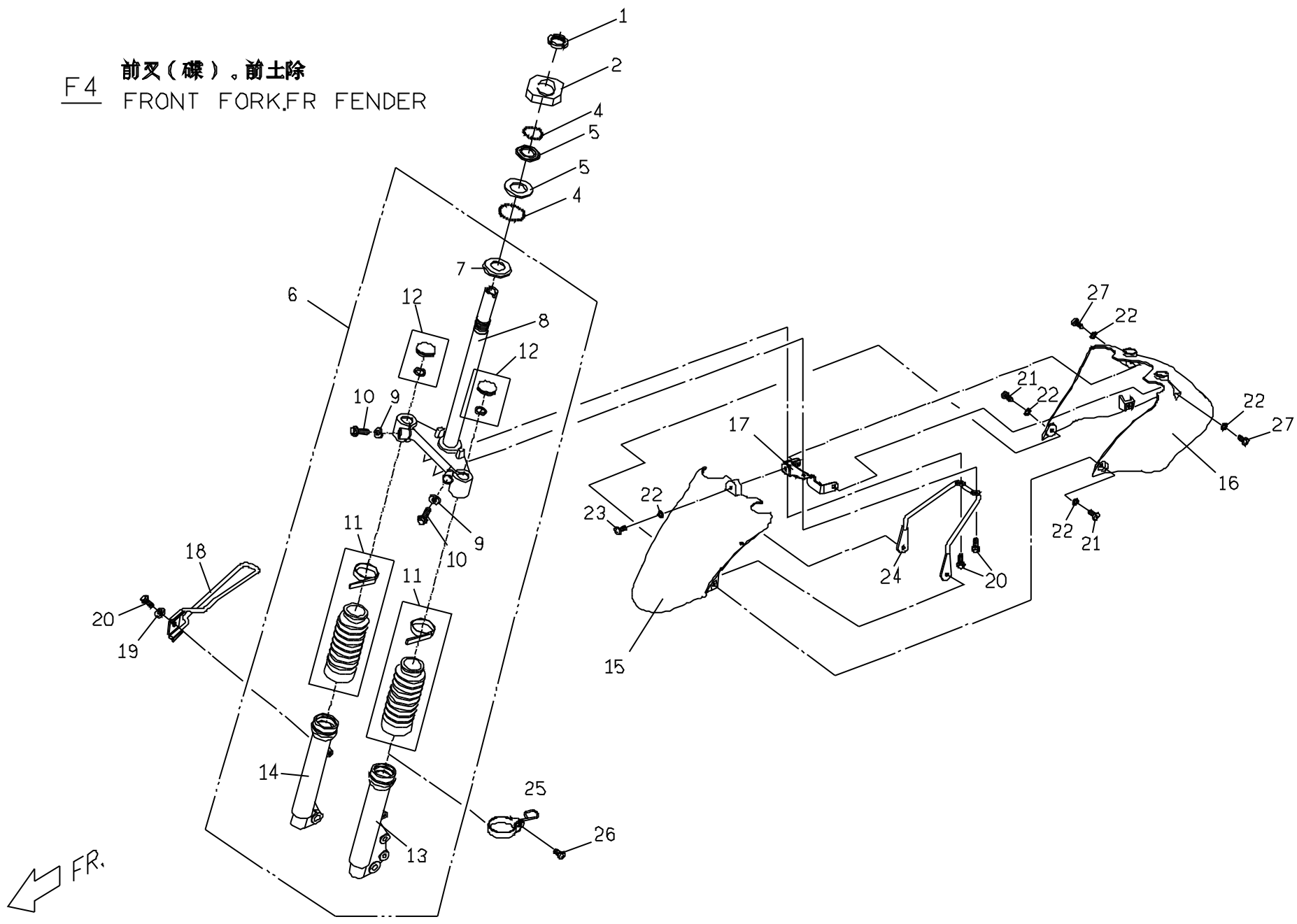
**BUBU**  
F3 CABLE.SWITCH.BACK MIRROR(Disk)



**F3. BUDDY 50/125\_CABLE / SWITCH**

No.	Part No.	Q'TY	PART NAME	PART NAME	REMARK	FMSP (Y/N)
25	P154F400000	1		SCREW,PAN HEAD		
26	P140C130000	2		SCREW		
27	P140C120000	1		CAP,RESERVOIR		
28	P140C110000	1		DIAPHRAGM,RESERVOIR		
29	P140C240000	1		BRACKET,MASTER CYLINDER		
31	P140C180000	1		RH BRK SWITCH COMP		Y
<b>32</b>	<b>P5544601000</b>	<b>1</b>		<b>CABLE ASSY,THROTTLE</b>	<b>BUDDY 50</b>	<b>Y</b>
<b>32</b>	<b>P6544602000</b>	<b>1</b>		<b>CABLE ASSY,THROTTLE</b>	<b>BUDDY 125</b>	<b>Y</b>
33	P154H180000	1		C-R ROUND HD TAPPING SCREW		
34	P154H170000	1		C-R ROUND HD TAPPING SCREW		
<b>35</b>	<b>P0544401000H</b>	<b>1</b>		<b>CABLE ASSY. RR BRAKE</b>	<b>BUDDY 50</b>	<b>Y</b>
<b>35</b>	<b>P6544401000</b>	<b>1</b>		<b>CABLE ASSY. RR BRAKE</b>	<b>BUDDY 125</b>	<b>Y</b>
36	P56160000001	1		BACK MIRROR ASSY(STAINLESS)		Y
37	P140C050000	1		SPRING		
38	P140C030000	1	P	P SEAL		
39	P140C020000	1		PISTON		
40	P140C040000	1	S	S SEAL		
41	P140C070000	1		CLIP		
42	P140C080000	1		DUST PROOF ASSY.		

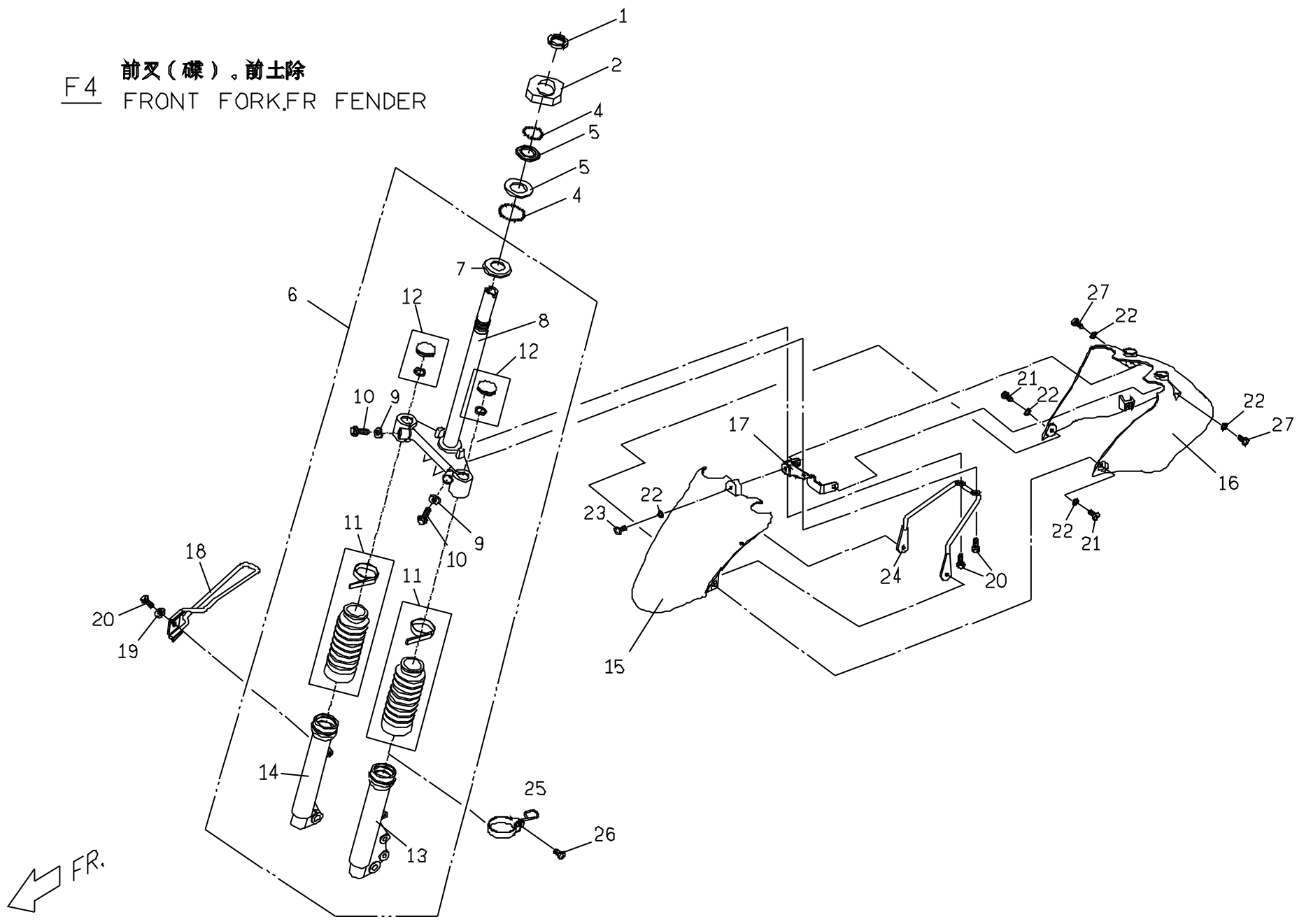
F4 前叉(碟),前土除  
FRONT FORK,FR FENDER



**F4.2 BUDDY 50 ( ) - / FRONT FORK\_ (MOVABLE MODEL) AVAILABLE FOR MOVABLE MODEL**

No.	Part No.	Q'TY	PART NAME	PART NAME	REMARK	FMSP (Y/N)
1	P1443040000	1		STEERING SHAFT LOCK NUT		
2	P6444051000	1		OUTER BEARING CAGE		
3	99010500000	22	( 3/16 )	BEARING BALL		
4	<b>P1443020000</b>	1		<b>UPPER BEARING CAGE</b>		
5	<b>99010500000</b>	22	<b>(3/16")</b>	<b>BEARING BALL</b>	<b>BUDDY 50/PA100</b>	
6	<b>P54430000002</b>	1		<b>FRONT FORK ASSY (DISK)</b>	<b>BUDDY 50/PA100</b>	<b>Y</b>
7	P1443020000	1		LOWER INNER BEARING CAGE		
8	<b>P544C2010001</b>	1		<b>UNDER BRACKET,COMP</b>		
10	P144C030000	2		BOLT	BUDDY 50/PA100	
11	P144C040000	2		COVER,COMP	BUDDY 50/PA100	
12	P544C050000	2		BOLT,COMP	BUDDY 50/PA100	
13	P544C2100002	1		LH OUTER TUBE ASSY	BUDDY 50/PA100	
14	P544C2200002	1		RH OUTER TUBE ASSY	BUDDY 50/PA100	
15	<b>P56320001Q0</b>	1		<b>FR SECTION FRONT FENDER(PINK)</b>	<b>PINK</b>	<b>Y</b>
15	<b>P56320002N0</b>	1		<b>FR SECTION FRONT FENDER(ORANGE)</b>	<b>ORANGE</b>	<b>Y</b>
15	<b>P5632000690</b>	1		<b>FR SECTION FRONT FENDER(BLACK)</b>	<b>BLACK</b>	<b>Y</b>
16	<b>P56326001R0</b>	1	( )	<b>RR SECTION FRONT FENDER</b>	<b>PINK</b>	<b>Y</b>
16	<b>P56326002Q0</b>	1	( )	<b>RR SECTION FRONT FENDER</b>	<b>BROWN</b>	<b>Y</b>
16	<b>P5632600650</b>	1	( )	<b>RR SECTION FRONT FENDER</b>	<b>BLACK</b>	<b>Y</b>
17	P5632010600	1		FRT.FENDER FIXING PLATE	BUDDY 50/PA100	
18	<b>E9544021000</b>	1		<b>CABLE CLIP COMP</b>	<b>BUDDY 50/PA100</b>	<b>Y</b>

F4 前叉(碟),前土除  
FRONT FORK,FR FENDER

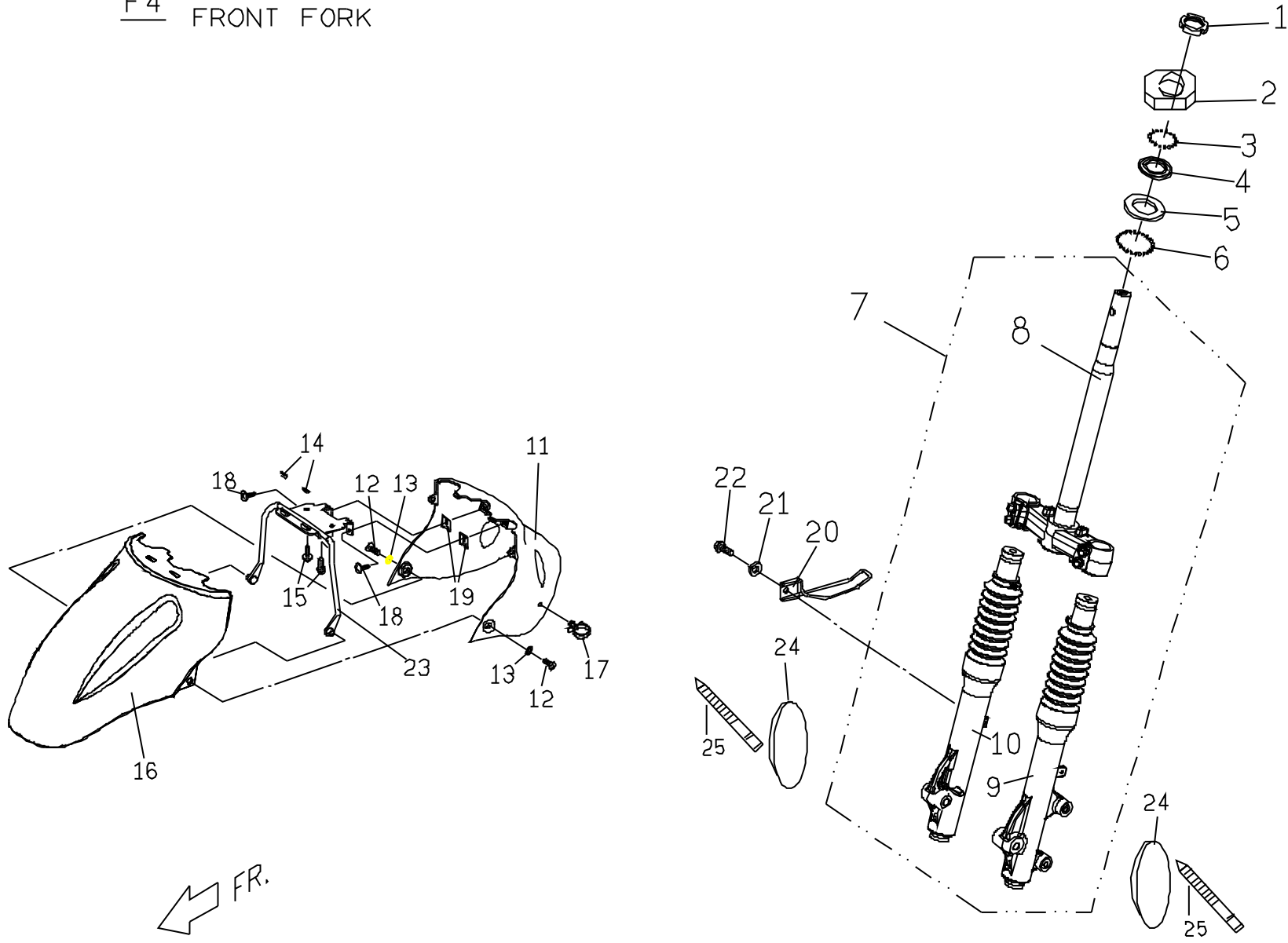


**F4.2 BUDDY 50 ( ) - / FRONT FORK\_MOVABLE MODEL AVAILABLE FOR MOVABLE MODEL**

No.	Part No.	Q'TY	PART NAME	PART NAME	REMARK	FMSP
						(Y/N)
19	92110800000	1		SPRING WASHER		
20	90190601600	3		HEXAGON FLANGE BOLT		
21	90040601400	2		C-R PAN HD.MACHINE SCREW		
22	92140600005	5		PLAIN WASHER		
23	90040601600	1		C-R PAN HD.MACHINE SCREW		
<b>24</b>	<b>P5632020600</b>	<b>1</b>		<b>FRT.FENDER FIXING FRAME</b>	<b>BUDDY 50/PA100</b>	<b>Y</b>
25	P2403611000	1		BRAKE FLUID HOSE CLIP		
26	90050601002	1		C-R ROUND HD.MACHINE SCREW		
27	90040601000	2		C-R PAN HD.MACHINE SCREW		



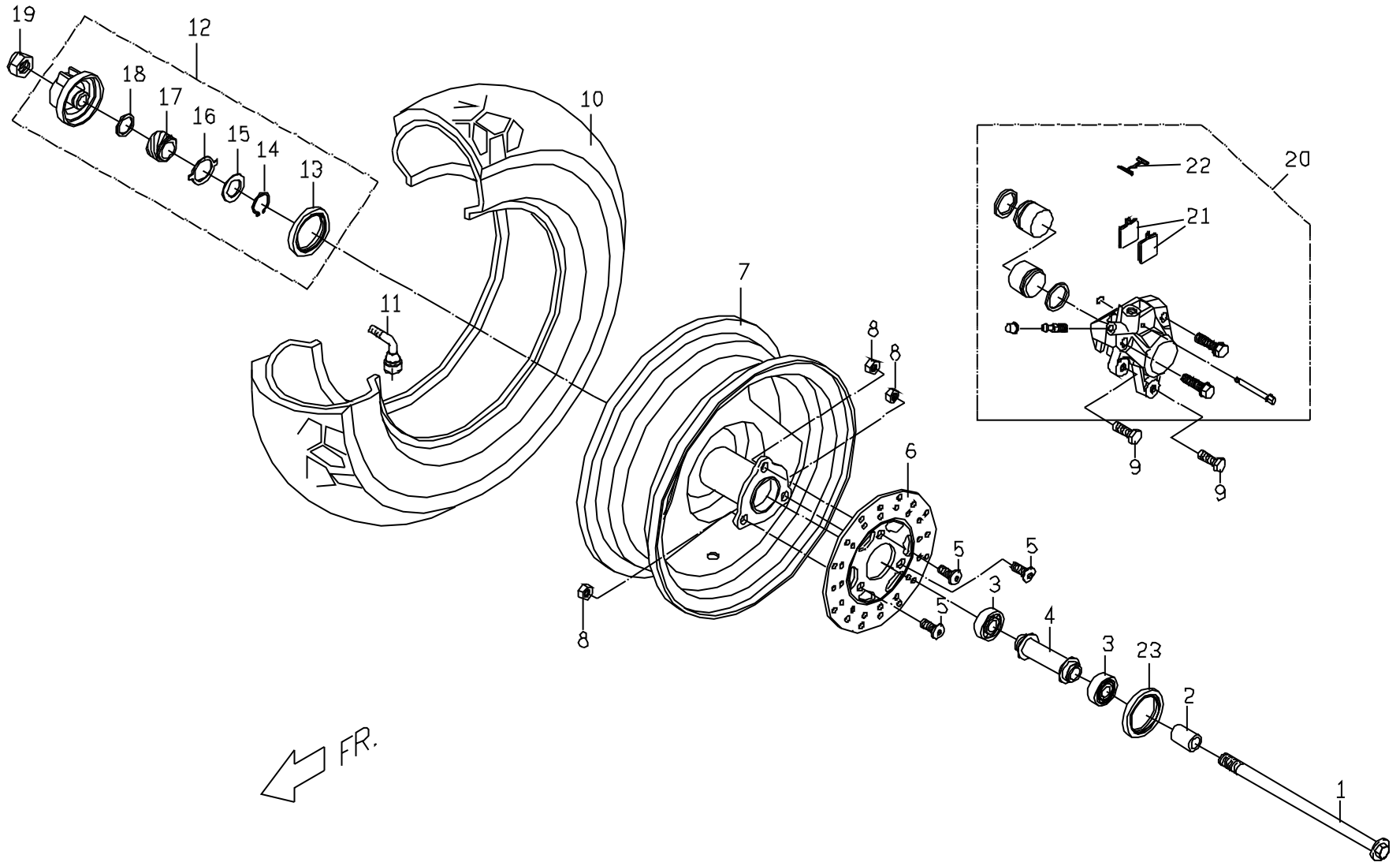
F4 BUBU  
FRONT FORK



**F4. BUDDY 125\_FRONT FORK**

No.	Part No.	Q'TY	PART NAME	PART NAME	REMARK	FMSP
1	P1443040000	1		STEERING SHAFT LOCK NUT		
2	P6444051000	1		OUTER BEARING CAGE		
3	99010500000	22	(3/16")	BEARING BALL(3/16")		
4	P1443020000	1		UPPER BEARING CAGE		
5	C1443011000	1		LOWER BEARING CAGE		
6	99010600000	19	(1/4")	BEARING BALL(1/4")		
7	P6443000000	1	( )	FRONT FORK ASSY(DISK)		Y
8	P644C200000	1		UNDER BRACKET,COMP		
9	P644C210000	1		LH OUTER TUBE ASSY		
10	P644C220000	1		RH OUTER TUBE ASSY		
<b>11</b>	<b>C26326011R0</b>	<b>1</b>	,	<b>FRONT FENDER,RR SECTION</b>	<b>PINK</b>	<b>Y</b>
<b>11</b>	<b>C26326012Q0</b>	<b>1</b>	,	<b>FRONT FENDER,RR SECTION</b>	<b>BROWN</b>	<b>Y</b>
<b>11</b>	<b>C2632601000</b>	<b>1</b>	,	<b>FRONT FENDER,RR SECTION</b>	<b>BLACK</b>	<b>Y</b>
12	90150501601	2		C-R RECESS HD.TAPPING SCREW		
13	90040601400	2		C-R MACHINE HD.TAPPING SCREW		
14	C2632020000	2		RUBBER BRACKET		
15	90190601200	2		HEXAGON FLANGE BOLT		
<b>16</b>	<b>P66320001Q0</b>	<b>1</b>	,	<b>FRONT FENDER,FR SECTION</b>	<b>PINK</b>	<b>Y</b>
<b>16</b>	<b>P66320002N0</b>	<b>1</b>	,	<b>FRONT FENDER,FR SECTION</b>	<b>ORANGE</b>	<b>Y</b>
<b>16</b>	<b>P6632000690</b>	<b>1</b>	,	<b>FRONT FENDER,FR SECTION</b>	<b>BLACK</b>	<b>Y</b>
<b>16</b>	<b>P66320002M0</b>	<b>1</b>	,	<b>FRONT FENDER,FR SECTION</b>	<b>LIGHT-YELLOW</b>	<b>Y</b>
17	92362328000	1		CABLE CLIP		
18	92140600017	2		PLAIN WASHER		
19	92370500003	2	U	SPRINT NUT U-TYPE		
20	C2544020000	1	( )	CABLE CLIP COMP,RIGHT		Y
21	90190601200	1		HEXAGON FLANGE BOLT		
22	92110600000	1		SPRING WASHER		
23	C2632010000	1	(E.D)	FRT.FENDER FIXING FRAME		Y
24	P26690000001	2	( )	FRT SIDE REFLECTOR		Y
25	P1701030000	4	( )	RUBBER TIE		

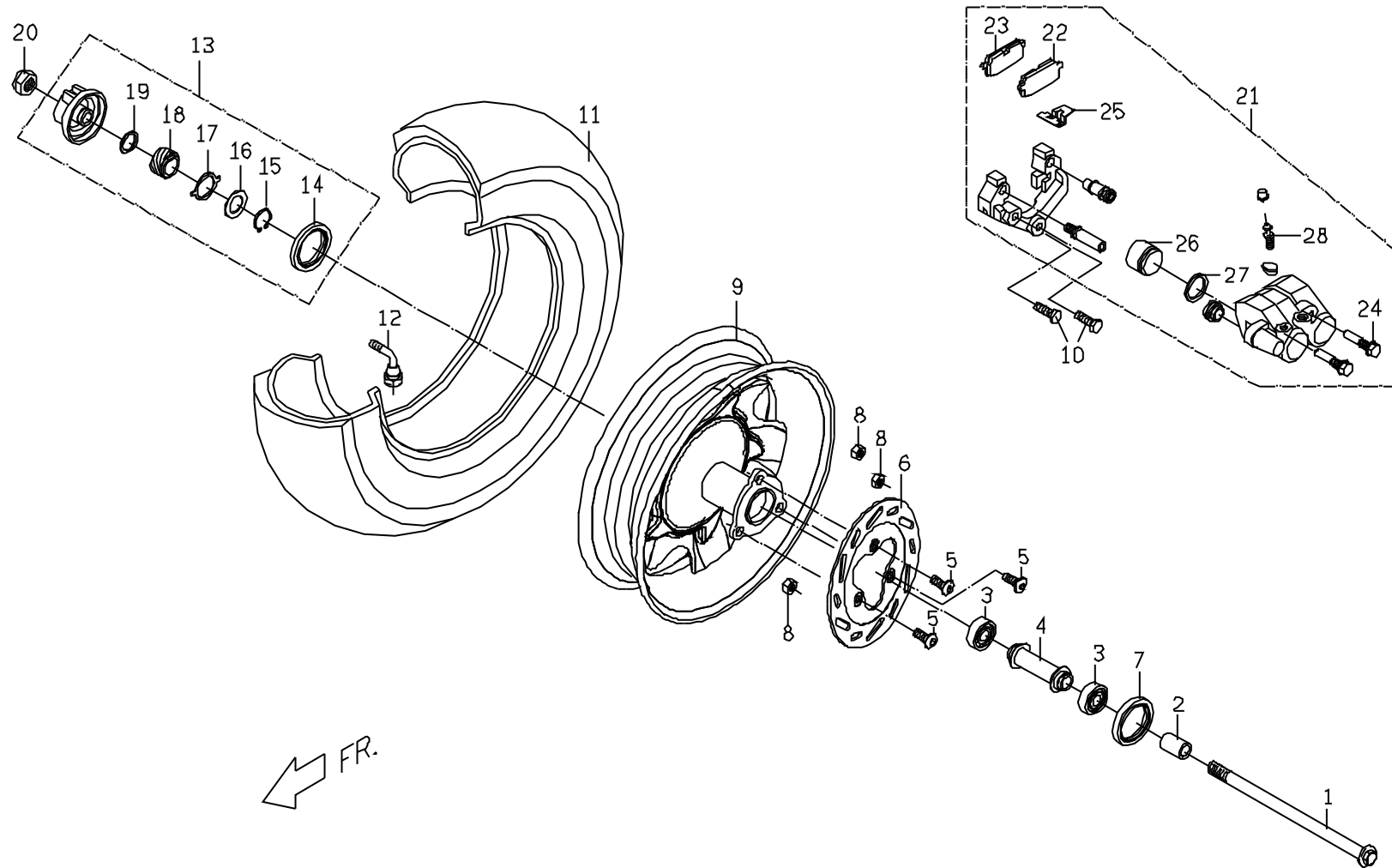
F5 輪胎。前輪圈。碟式煞車夾  
TIRE.FRT WHEEL.FRT CALIPER.



**F5.1 BUDDY 50****/ FRONT WHEEL (BUDDY 50/PA100)****AVAILABLE FOR BUDDY 50/PA100**

No.	Part No.	Q'TY	PART NAME	PART NAME	REMARK	FMSP (Y/N)
1	P5402500000	1		AIXL, FR WHEEL	BUDDY 50/PA100	
2	P1401010000	1		SPACER	BUDDY 50/PA100	
3	96520620100	2		ONE SHLIED BALL BEARING		Y
4	P5402400000	1		SPACER COMP		
5	E1403512000	3		BLOT,FRT BRK DISK		
6	P1403500000	1		DISC FRONT BRAKE	BUDDY 50/PA100	Y
7	P5401102770	1	( ) (	FRT WHEEL RIM COMP	BUDDY 50	Y
8	92400800001	3	( M8	LOCK NUT		
9	90190803002	2		HEXAGON HEAD BOLT		
10	P540B320000	1	( 90/90-10")	FRONT WHEEL ASSY ( 90/90-10")	SERVICE PART	Y
11	P140B330000	1		VAVLE		
12	C1566002000	1		METER GEAR ASSY	BUDDY 50	Y
13	95574052600	1		OIL SEAL		
14	92171800000	1	C	" C "CLIP		
15	92141900001	1		PLAIN WASHER		
16	P1566050000	1		PAD		
17	C1566040000	1		SPEEDMETER GEAR		
18	92141900002	1		PLAIN WASHER		
19	92061200001	1		LOCK NUT		
20	P5403300000	1		FRT BRAKE CLIPPER	BUDDY 50/PA100	Y
21	P540C310000	1		PAD	BUDDY 50/PA100	Y
22	P540C320000	1		YOKE SPRING	BUDDY 50/PA100	
23	95572235700	1		OIL SEAL		

F5. TIRE.FRT WHEEL.FRT CALIPER.(DISK)

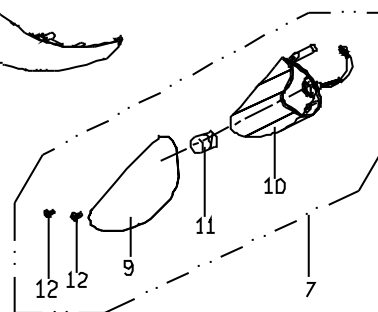
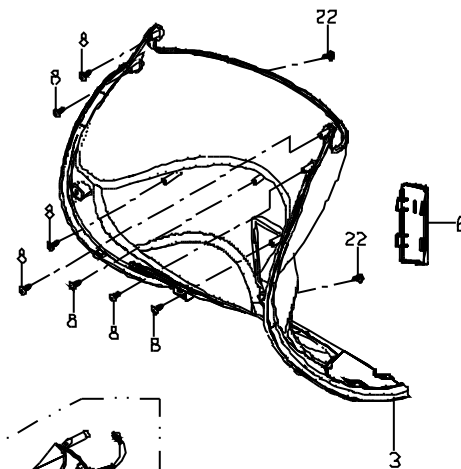
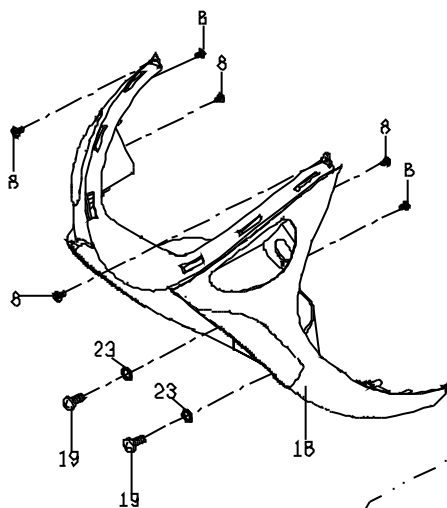
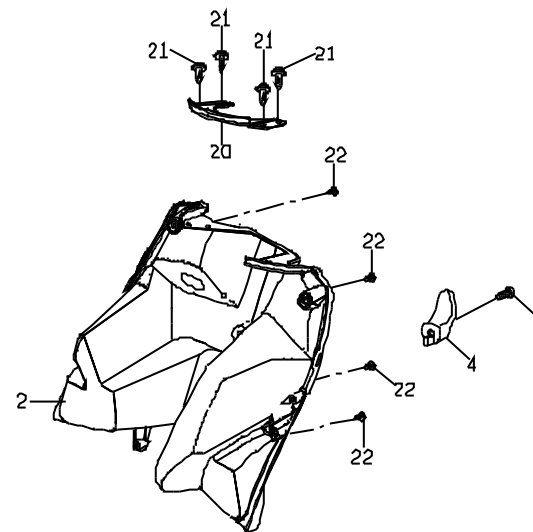
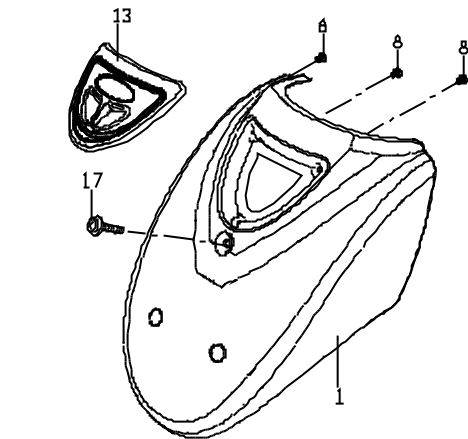
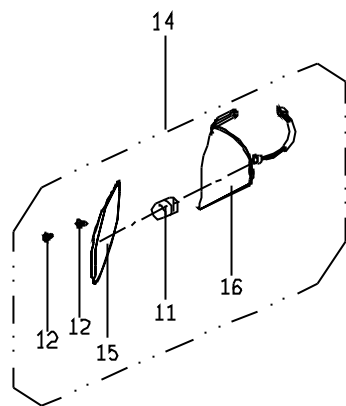


**F5. BUDDY 125\_FRT WHEEL ASSEMBLY**

No.	Part No.	Q'TY	PART NAME	PART NAME	REMARK	FMSP
						(Y/N)
1	C2402500000	1		AIX,FR WHEEL		Y
2	P14010100001	1		SPACER		
3	96520620100	2	(6201U)	ONE SHLIED BALL BEARING(6201U)		Y
4	P5402400000	1	( )	SPACER COMP		Y
5	E1403512000	3		SCREW,FRT BRK DISK		
6	C240C5020002	1	( 190mm)	DISC FRONT BRAKE ( 190mm)		Y
7	95572235700	1	TC	OIL SEAL		Y
8	C140C160000	1		CAP		
9	C2401105770	1	( )	FRT WHEEL RIM COMP		Y
10	90190804002	2		HEXAGON FLANGE BOLT		
11	C240B320000	1	(3.5-10")	TIRE ASSY(3.5-10")		Y
12	P140B330000	1		VALVE		
13	C2566002000	1		METER GEAR ASSY		Y
14	95574052600	1		OIL SEAL		
15	92171800000	1	C	" C "CLIP		
16	92141900001	1		PLAIN WASHER		
17	P1566050000	1		PAD		
18	P0566040000	1		SPEEDOMETER GEAR		
19	92141900002	1		PLAIN WASHER		
20	92061200001	1		LOCK NUT		
21	C2403303000	1		FRT BRAKE CALLIPER		Y
22	C240C311000	1		INSIDE PAD		Y
23	C240C321000	1		OUTSIDE PAD		Y
24	C140C141000	2		SCREW		
25	C140C330000	1		YOKE SPRING		
26	C140C040000	1		DUST PROOF		
27	C140C030000	1		OIL SEAL		
28	C140C060000	1		BREED SCREW		

F6.

BUBU (FOR MOVABLE MODEL)  
WINDSHIELD.FRT INNER COVER.



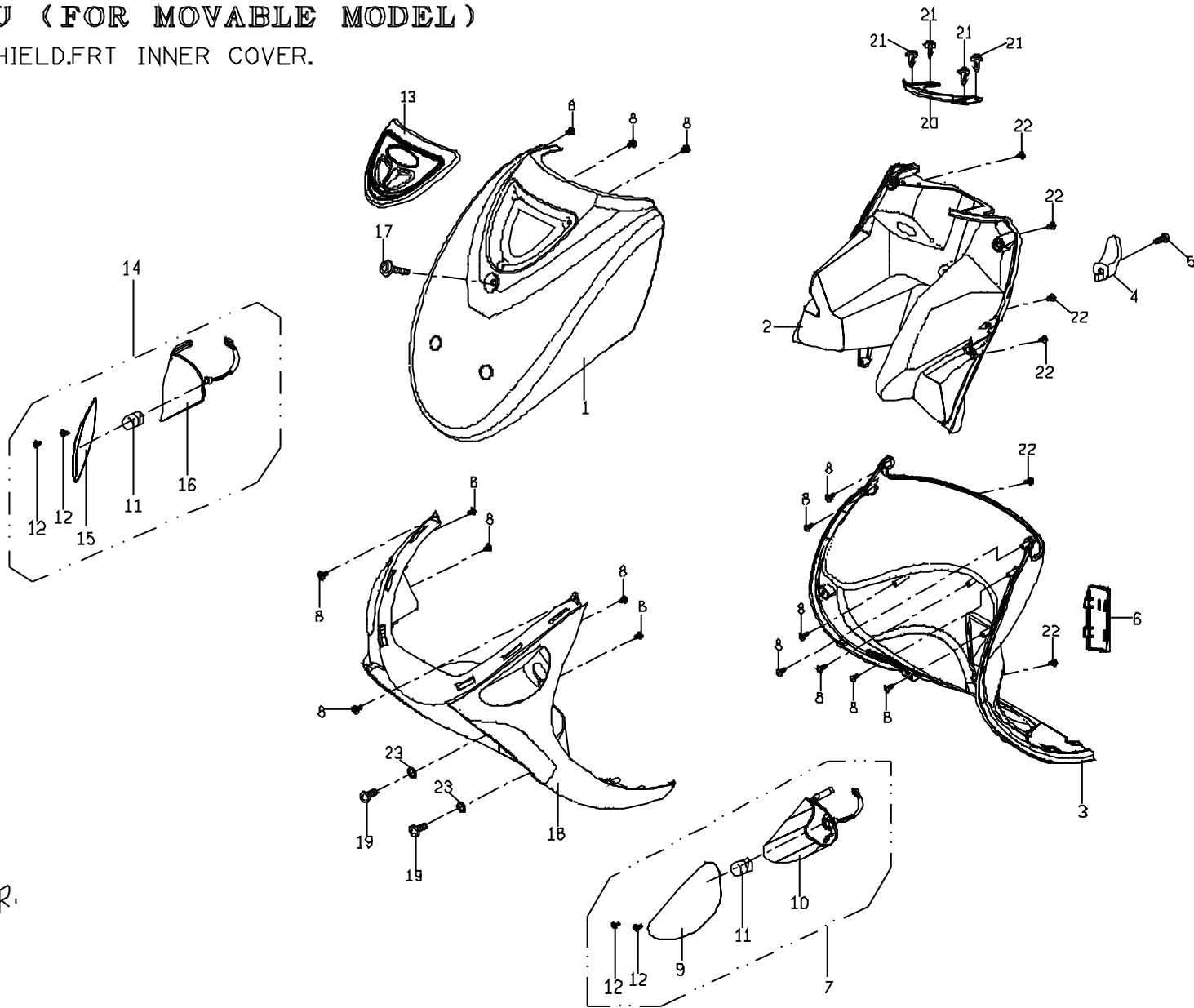
**F6. BUDDY 50/125\_WINDSHIELD**

No.	Part No.	Q'TY	PART NAME	PART NAME	REMARK	FMSP (Y/N)
1	P66210001Q0	1		WINDSHIELD	PINK	Y
1	P66210002N0	1		WINDSHIELD	ORANGE	Y
1	P6621000690	1		WINDSHIELD	BLACK	Y
1	P66210002M0	1		WINDSHIELD	LIGHT-YELLOW	Y
2	P56230301R0	1		FRT INNER COVER,UPPER	PINK	Y
2	P56230302Q0	1		FRT INNER COVER,UPPER	BROWN	Y
2	P5623030650	1	( )	FRT INNER COVER,UPPER	BLACK	Y
3	P562C0401R00	1		FRT INNER COVER,LOWER	PINK	Y
3	P562C0402Q00	1		FRT INNER COVER,LOWER	BROWN	Y
3	P562C0406500	1	( )	FRT INNER COVER,LOWER	BLACK	Y
4	P57012111R0	1		FRONT HOOK	PINK	
4	P57012112Q0	1		FRONT HOOK	BROWN	
4	P5701211650	1	( )	FRONT HOOK	BLACK	
5	90040601601	1		C-R PAN HD.MACHINE SCREW		
6	P56230101R0	1		ADHESIVE PAPER	PINK	Y
6	P56230102Q0	1		ADHESIVE PAPER	BROWN	Y
6	P5623010650	1	( )	ADHESIVE PAPER	BLACK	Y
7	P566C0100003	1	( )	POSITION LAMP,LH(WHITE)		Y
8	90110401200	16		TAPPING SCREW		
9	P566C0200003	1	( )	POSITION LAMP COVER,LH(WHITE)		
11	98211210990	2	(12V/10W )	BULB(ORANGE)		Y
12	P566C050000	4		C-R RECESS PAN HD TAPPING SCREW		
13	C2621010000	1		WINDSHIELD,PANEL	CHROME	Y
14	P566D0100003	1	( )	POSITION LAMP ,RH(WHITE)		Y
15	P566D0200003	1	( )	POSITION LAMP COVER,RH(WHITE)		
17	E1621010000	1		SCREW WITH WASHER		



F6.2

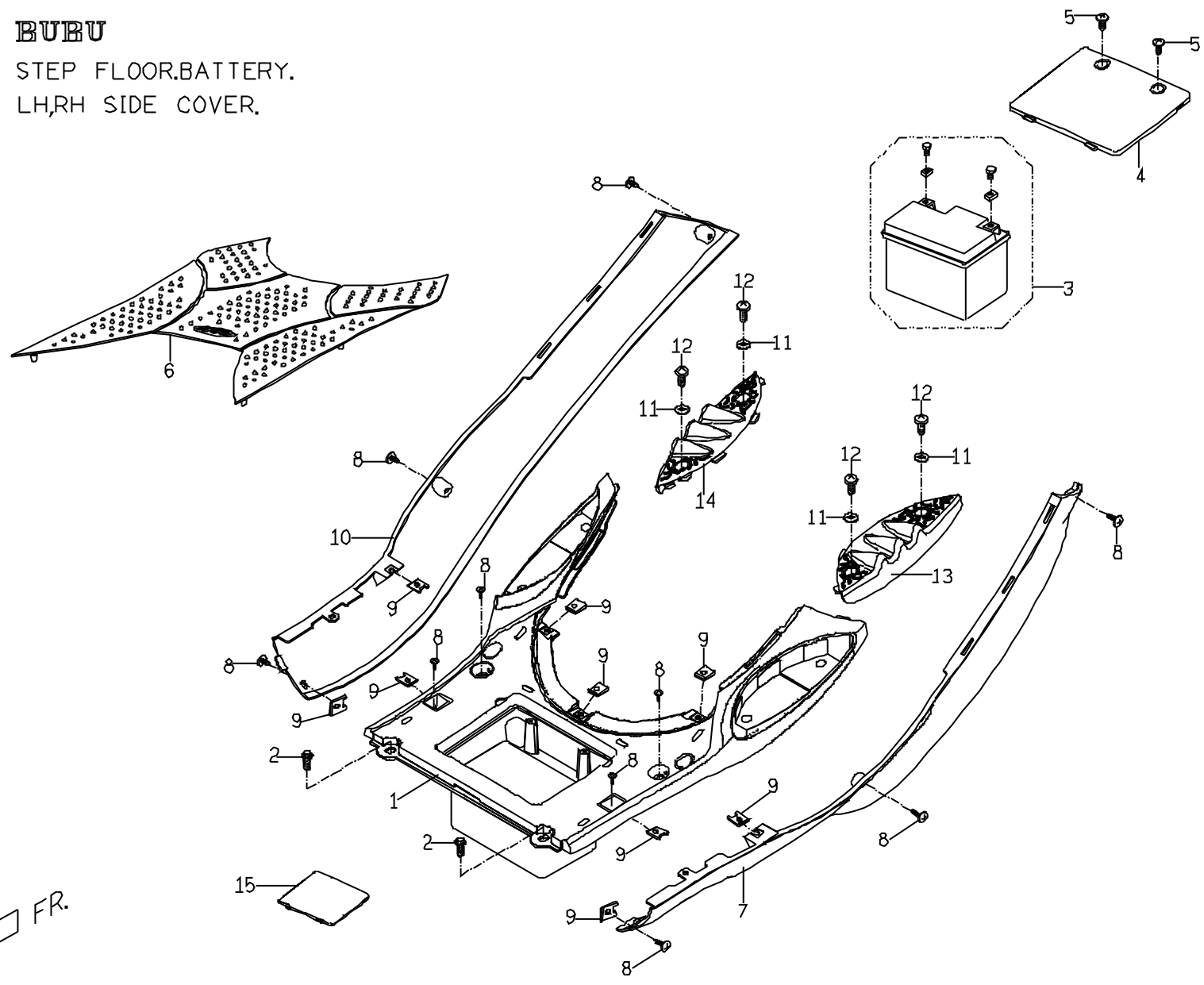
BUBU (FOR MOVABLE MODEL)  
WINDSHIELD.FRT INNER COVER.



**F6. BUDDY 50/125\_WINDSHIELD**

No.	Part No.	Q'TY	PART NAME	PART NAME	REMARK	FMSP (Y/N)
18	<b>P56260131Q0</b>	1		<b>COVER,FRT LOWER</b>	<b>PINK</b>	<b>Y</b>
18	<b>P56260132N0</b>	1		<b>COVER,FRT LOWER</b>	<b>ORANGE</b>	<b>Y</b>
18	<b>P56260137J0</b>	1		<b>COVER,FRT LOWER</b>	<b>SILVER</b>	<b>Y</b>
18	<b>P56260132M0</b>	1		<b>COVER,FRT LOWER</b>	<b>LIGHT-YELLOW</b>	<b>Y</b>
19	90040601400	2		C-R PAN HD.MACHINE SCREW		
20	<b>P56230201R0</b>	1		<b>FRONT PANEL,INNER COVER</b>	<b>PINK</b>	<b>Y</b>
20	<b>P56230202Q0</b>	1		<b>FRONT PANEL,INNER COVER</b>	<b>BROWN</b>	<b>Y</b>
20	<b>P5623020650</b>	1	( )	<b>FRONT PANEL,INNER COVER</b>	<b>BLACK</b>	<b>Y</b>
21	E1701040000	4		SCRIVET COMP		
22	90130501400	6		TAPPING SCREW		
23	92140600005	2		PLAIN WASHER		

F7 **BUBU**  
STEP FLOOR.BATTERY.  
LH,RH SIDE COVER.



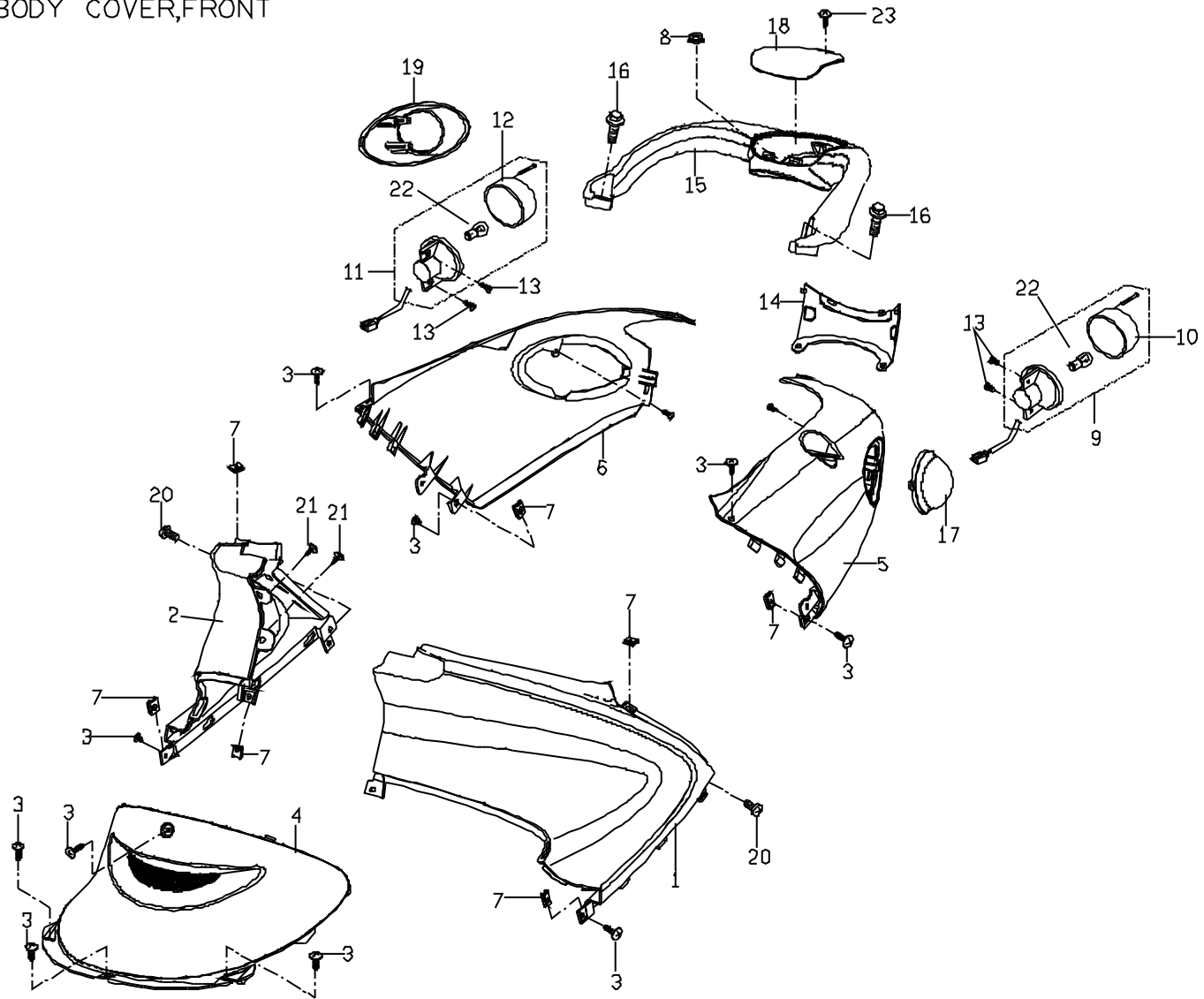
FR.

**F7. BUDDY 50/125\_STEP FLOOR**

No.	Part No.	Q'TY	PART NAME	PART NAME	REMARK	FMSP (Y/N)
1	P66240011R0	1	( )	STEP FLOOR	PINK	Y
1	P66240012Q0	1	( )	STEP FLOOR	BROWN	Y
1	P6624001650	1	( )	STEP FLOOR	BLACK	Y
2	90200602500	4		SCREW WITH WASHER		
3	P5583000000	1	(4L)	BATTERY	BUDDY 50	
3	C2583000000	1	(7L)	BATTERY	BUDDY 125	
4	C2624031650	1	( )	BATTERY COVER		
5	90130501400	2		TAPPING SCREW		
6	P6624501000	1		MAT FLOOR	BLACK	Y
6	P66245010001	1		MAT FLOOR	BROWN	Y
7	P66263001Q0	1		LH SIDE COVER	PINK	Y
7	P66263002N0	1		LH SIDE COVER	ORANGE	Y
7	P66263007J0	1		LH SIDE COVER	SILVER	Y
7	P66263002M0	1		LH SIDE COVER	LIGHT-YELLOW	Y
8	90150501600	10		TAPPING SCREW		
9	92370500003	9	U	SPRING NUT U-TYPE		
10	P66265001Q0	1		RH SIDE COVER	PINK	Y
10	P66265002N0	1		RH SIDE COVER	ORANGE	Y
10	P66265007J0	1		RH SIDE COVER	SILVER	Y
10	P66265002M0	1		RH SIDE COVER	LIGHT-YELLOW	Y
11	92140600018	4		PLAIN WASHER		
12	90040602200	4		C-R PAN HD.MACHINE SCREW		
13	C26240217701	1		STEP PLATE,LH REAR	SILVER	Y
14	C262D0217701	1		STEP PLATE,RH REAR	SILVER	Y

F8 **BUBU**

BODY COVER, BODY COVER, FRONT  
RR LUGGAGE

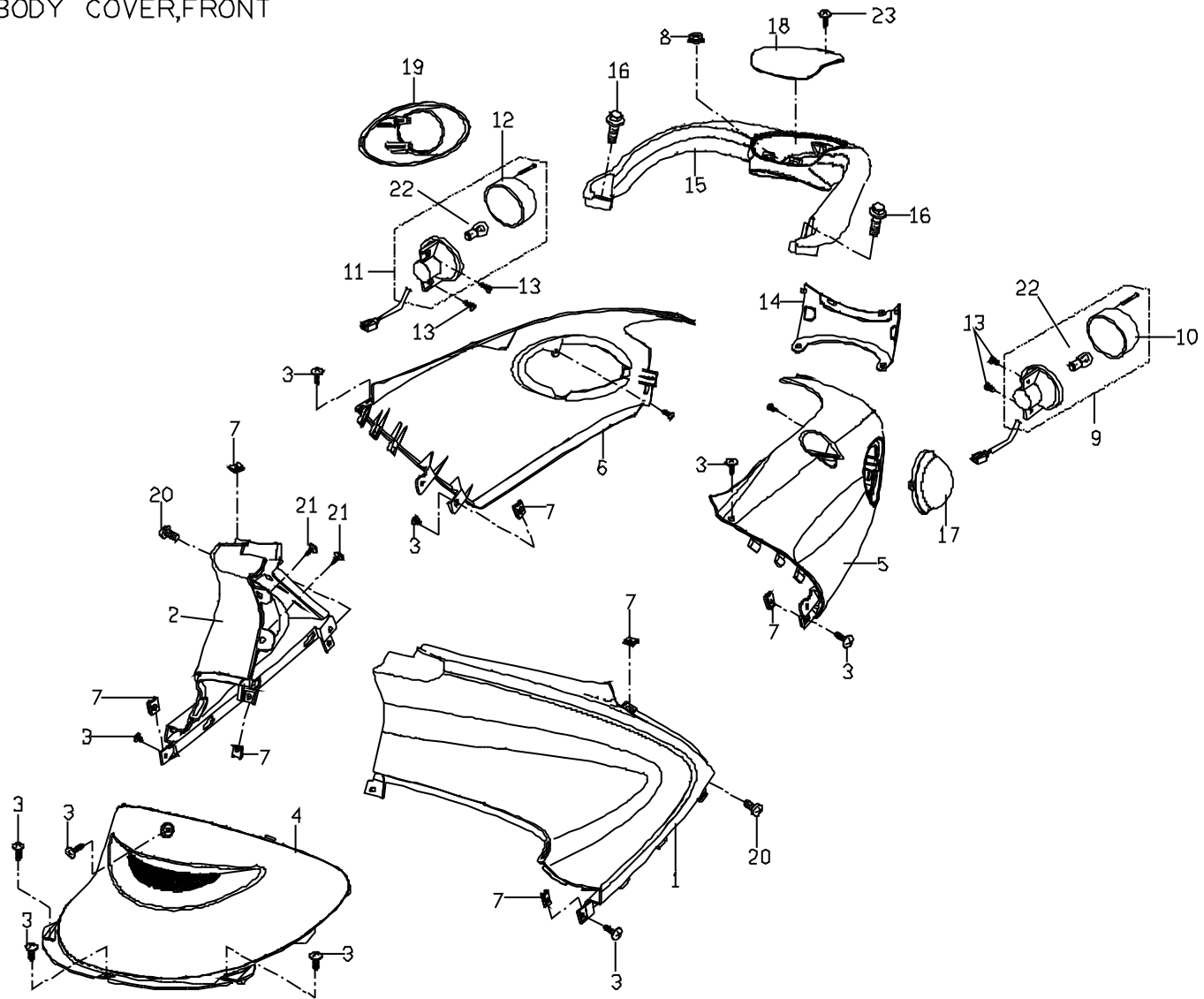


**F8. BUDDY 50/125\_BODY COVER / REAR LUGGAGE BRACKET**

No.	Part No.	Q'TY	PART NAME	PART NAME	REMARK	FMSP (Y/N)
1	P662E0101R0	1		BODY COVER,LH FRONT	PINK	Y
1	P662E0102Q0	1		BODY COVER,LH FRONT	BROWN	Y
1	P662E010650	1	( )	BODY COVER,LH FRONT	BLACK	Y
2	P662E0201R0	1		BODY COVER,RH FRONT	PINK	Y
2	P662E0202Q0	1		BODY COVER,RH FRONT	BROWN	Y
2	P662E020650	1	( )	BODY COVER,RH FRONT	BLACK	Y
3	90150501600	11		C-R RECESS PAN HD.TAPPING SCREW SCREW		
4	P66250101R0	1		MIDDLE COVER	PINK	Y
4	P66250102Q0	1		MIDDLE COVER	BROWN	Y
4	P6625010650	1	( )	MIDDLE COVER	BLACK	Y
5	P66253011Q0	1		LH BODY COVER	PINK	Y
5	P66253012N0	1		LH BODY COVER	ORANGE	Y
5	P6625301690	1		LH BODY COVER	LIGHT-YELLOW	Y
5	P66253012M0	1		LH BODY COVER	BLACK	Y
6	P66255011Q0	1		RH BODY COVER	PINK	Y
6	P66255012N0	1		RH BODY COVER	ORANGE	Y
6	P6625501690	1		RH BODY COVER	BLACK	Y
6	P66255012M0	1		RH BODY COVER	LIGHT-YELLOW	Y
7	92370500003	7	U	SPRING NUT U-TYPE		
8	92040800000	1		HEXAGON FLANGE NUT		
9	P566G0110002	1	( )	LH RR SIGNAL LAMP ASSY(WHITE)		Y
10	P566G0200002	1	( )	LH RR SIGNAL LAMP COVER(WHITE)		
11	P566H0110002	1	( )	RH RR SIGNAL LAMP ASSY(WHITE)		Y
12	P566H0200002	1	( )	RH RR SIGNAL LAMP COVER(WHITE)		
13	90110401200	4		C-R RECESS PAN HD.TAPPING SCREW SCREW		

F8 **BUBU**

BODY COVER, BODY COVER, FRONT  
RR LUGGAGE

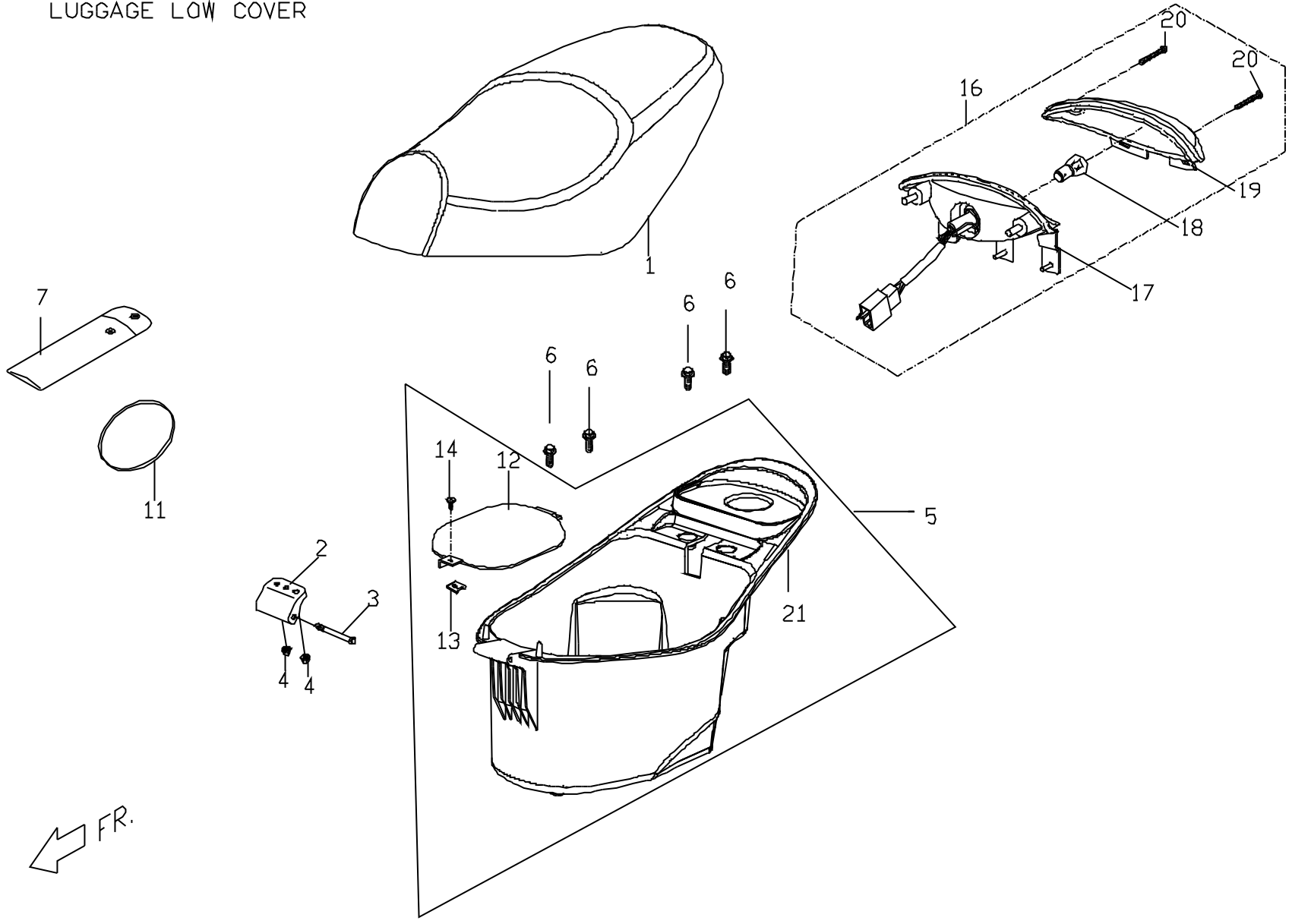


**F8. BUDDY 50/125\_BODY COVER / REAR LUGGAGE BRACKET**

No.	Part No.	Q'TY	PART NAME	PART NAME	REMARK	FMSP (Y/N)
14	P66257001Q0	1		REAR COVER	PINK	Y
14	P66257002N0	1		REAR COVER	ORANGE	Y
14	P6625700690	1		REAR COVER	BLACK	Y
14	P66257002M0	1		REAR COVER	LIGHT-YELLOW	Y
15	P66760007J0	1	( )	RR LUGGAGE BRACKET(SILVER)	SILVER	Y
15	P66760002M0	1	( )	RR LUGGAGE BRACKET	LIGHT-YELLOW	Y
16	90190802000	2		HEXAG ON FLANGE BOLT		
17	P66256010000	1		LH REAR TURN SIGNAL,INNER COVER	CHROME	Y
18	P6676010000	1		RR LUGGAGE BRAKET COVER		Y
19	P6625F010000	1		RH REAR TURN SIGNAL,INNER COVER	CHROME	Y
20	90040601400	2		C-R RECESS PAN HD.TAPPING SCREW SCREW		
21	90130501400	2		C-R RECESS PAN HD.TAPPING SCREW SCREW		
22	98211210990	2	(12V/10W )	BULB(ORANGE)		
23	90110401200	1		C-R RECESS PAN HD.TAPPING SCREW SCREW		
21	C16690000001	2	( )	SIDE REFLECTOR	RED	Y
22	P5636010000	1		BRACKET, SIDE REFLECTOR		
23	92040600000	2		HEXAGON FLANGE NUT		
24	P5708010000	2		PIVOT		



F9 **BUBU**  
SEAT.LUGGAGE.TOOL KIT.  
LUGGAGE LOW COVER

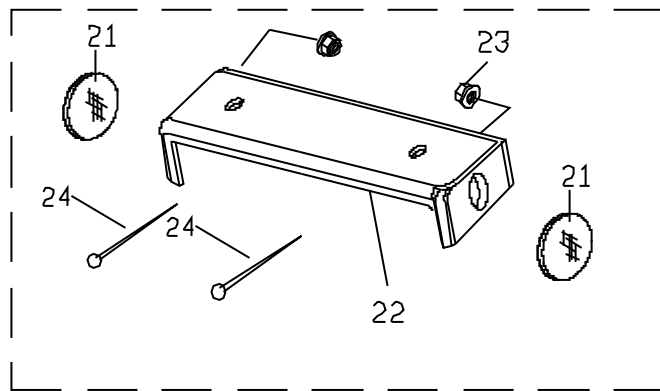
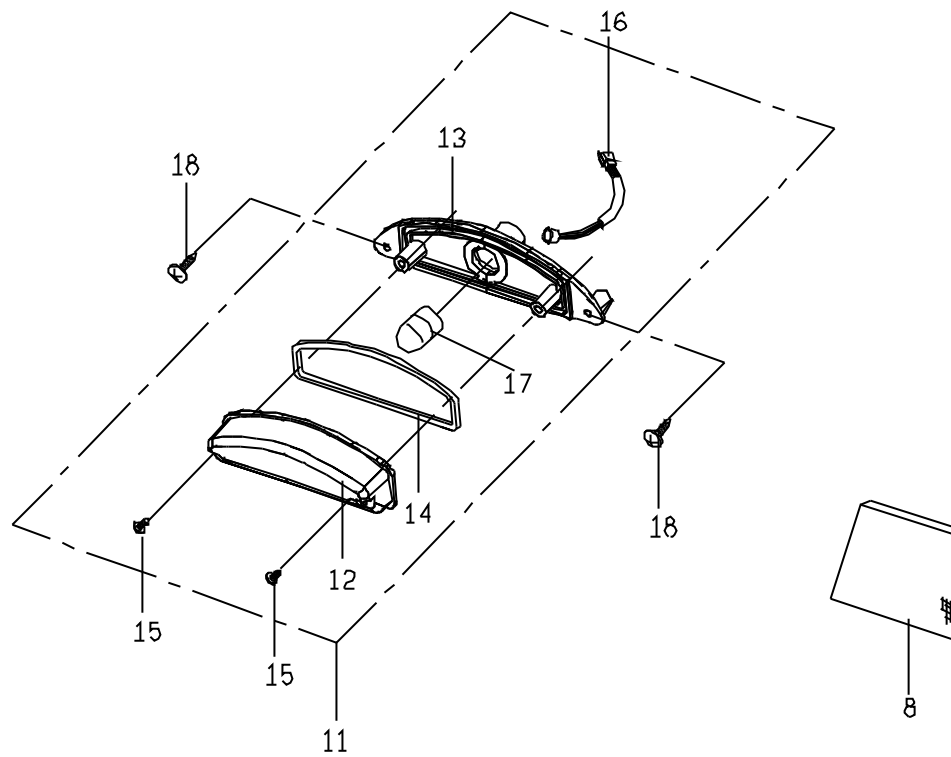


FR.

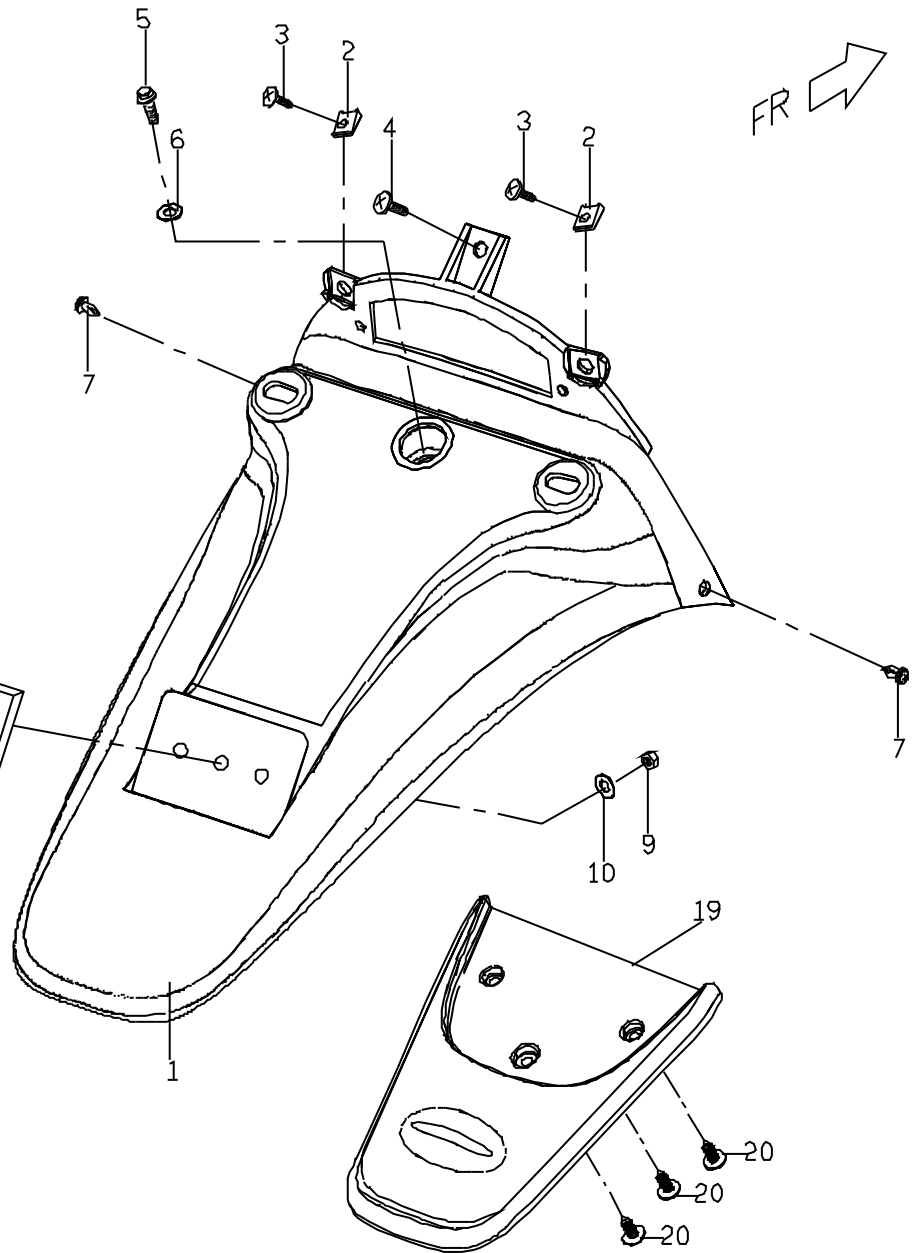
**F9. BUDDY 50/125\_SEAT / LUGGAGE ASSEMBLY**

No.	Part No.	Q'TY	PART NAME	PART NAME	REMARK	FMSP (Y/N)
1	<b>P6671000007</b>	1		<b>SEAT ASSY</b>	<b>BLACK</b>	Y
1	<b>P6671000008</b>	1		<b>SEAT ASSY</b>	<b>WHITE</b>	Y
1	<b>P6671000009</b>	1		<b>SEAT ASSY</b>	<b>BROWN</b>	Y
2	C1681060000	1		BRACKET		
3	C1681070000	1		SPECIAL BOLT		
4	92040600000	2		HEXAGON FLANGE NUT		
5	P6681003000	1	( )	LUGGAGE ASSY	include #12, #13,#14	Y
6	90190601500	4		HEXAGON FLANGE BOLT		
7	<b>P6701030000</b>	1		<b>TOOL PARTS ASSY</b>	<b>BUDDY 50</b>	
7	<b>P6706540000</b>	1		<b>TOOL PARTS ASSY</b>	<b>BUDDY 125</b>	
8	NA	1		BOX-SPANNER,SPARK PLUG		
9	NA	1		SCREWDRIVER GRIP ASSY		
10	NA	1		SCREWDRIVER		
11	C1701180000	1		TOOL KIT		
12	P668A020000	1		LUGGAGE LOW COVER		
13	92370500003	1	U	SPRING NUT U-TYPE		
14	90150501601	1		C-R RECESS PAN HD.TAPPING SCREW		
15	P6701030000	1		O-RING		
16	P56660000002	1		BACK LAMP ASSY	DOT	Y
18	98311218050	1	(12V 18/05W)	LAMP BULB(12V 18/05W)		
19	P566F010000	1		LENS		
20	P566F050000	2		TAPPING SCREW		
21	P668A013000	1		LUGGAGE		

**F10 BUBU**  
 LICENSE PLATE, REFLECTOR,  
 LICENCE LAMP .



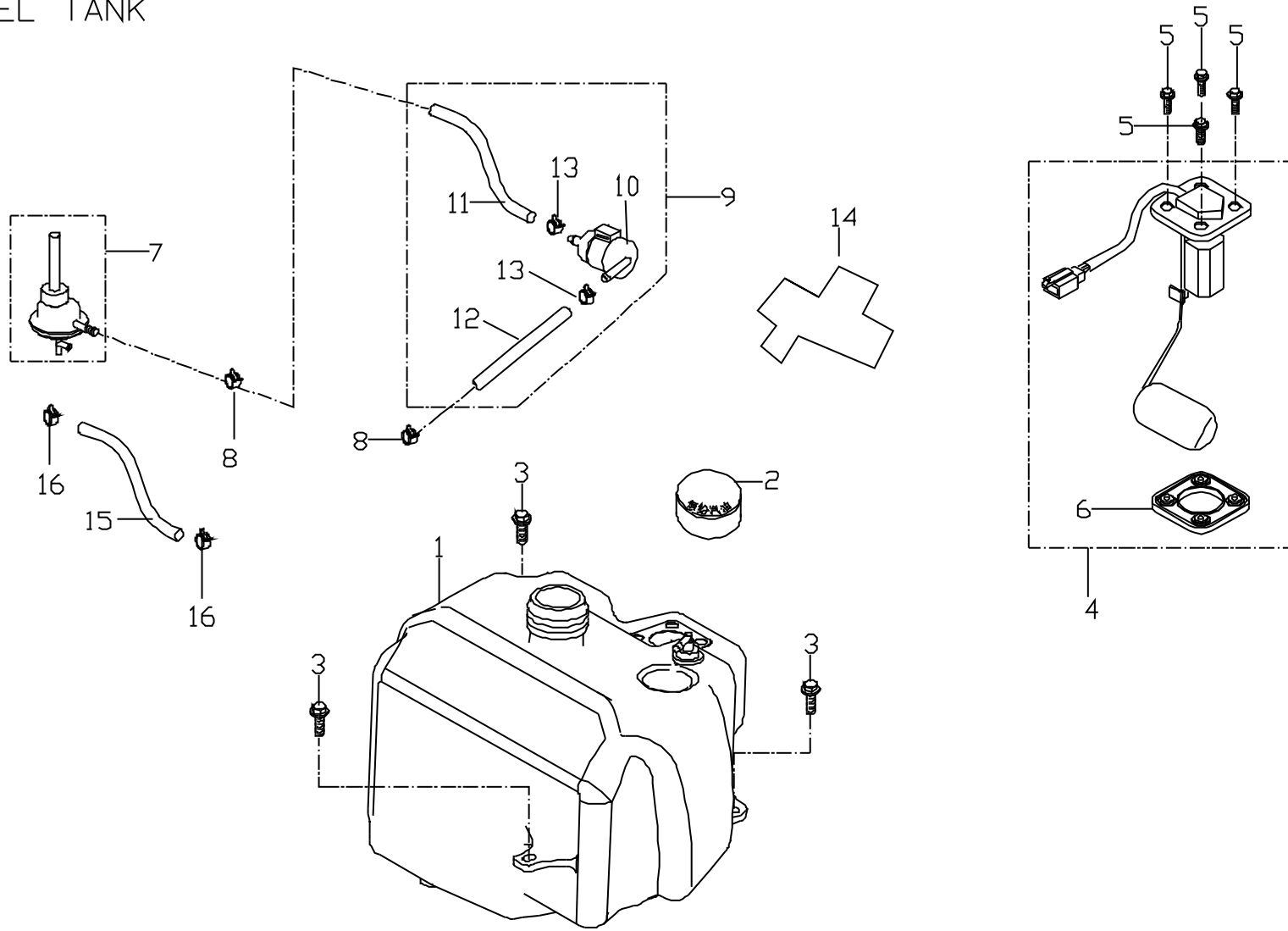
OPTIONAL EQUIPMENT



**F10. BUDDY 50/125\_LICENSE PLATE**

No.	Part No.	Q'TY	PART NAME	PART NAME	REMARK	FMSP (Y/N)
1	<b>P56360031R0</b>	1		<b>LICENCE PLATE</b>	<b>PINK</b>	<b>Y</b>
1	<b>P56360032Q0</b>	1		<b>LICENCE PLATE</b>	<b>BROWN</b>	<b>Y</b>
1	<b>P5636003650</b>	1	( )	<b>LICENCE PLATE</b>	<b>BLACK</b>	<b>Y</b>
2	92370500003	2	U	SPRING NUT U-TYPE		
3	90150501601	2		TAPPING SCREW		
4	90130501400	1		TAPPING SCREW		
5	90040601400	1		C-R RECESS PAN HD TAPPING SCREW		
6	92140600005	1		WASHER		
7	E1701040000	2		SCRIVET COMP		
8	P56690010000	1		REFLECTOR		Y
9	92020500000	1		HEXAGON NUT		
10	92140500014	1		WASHER		
11	P56669000000	1		LICENCE LAMP ASSY		Y
12	P566F910000	1		LAMP COVER		
13	P566F920000	1		SOCKET		
14	P566F930000	1		PACKING		
15	P566F940000	1		TAPPING SCREW		
16	P566F950000	1		CONNECTING WIRE		
17	P566F960000	1	(12V-5W)	BULB(12V-5W)		
18	90110401200	1		TAPPING SCREW		
19	<b>P66360101R0</b>	1		<b>LICENCE PLATE LOWER PART</b>	<b>PINK</b>	<b>Y</b>
19	<b>P66360102Q0</b>	1		<b>LICENCE PLATE LOWER PART</b>	<b>BROWN</b>	<b>Y</b>
19	<b>P6636010650</b>	1	( )	<b>LICENCE PLATE LOWER PART</b>	<b>BLACK</b>	<b>Y</b>
20	90110401200	3		TAPPING SCREW		

F11 BUBU  
FUEL TANK

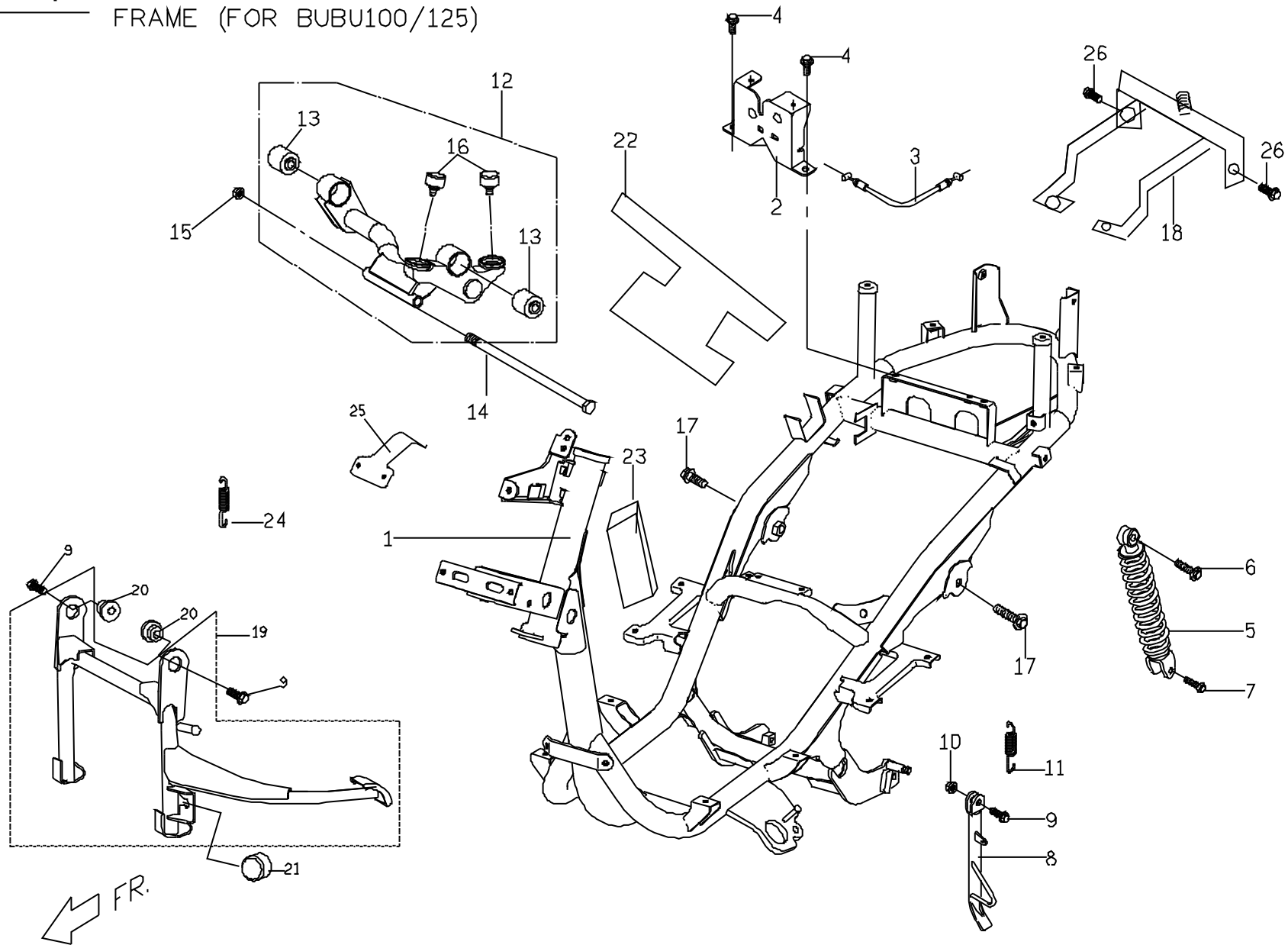


FR.

**F11. BUDDY 50/125\_FUEL TANK**

No.	Part No.	Q'TY	PART NAME	PART NAME	REMARK	FMSP (Y/N)
1	P6521500001	1		FUEL TANK WITHOUT EEC	BUDDY 50	
2	E1521302000	1	( EEC )	TANK COVER WITHOUT EEC	BUDDY 50	Y
1	P6521500000	1		FUEL TANK (WITH EEC)	BUDDY 125	
2	E152A3000001	1	( EEC )	TANK COVER (WITH EEC)	BUDDY 125	Y
3	90190601500	3		HEXAGON FLANGE BOLT		
4	P6521700000	1		FUEL GAUGE COMP		Y
5	90180501600	4		HEXAGON FLANGE BOLT		
6	C152A090000	1		HEXAGON LOCK NUT		
7	P6523000000	1		AUTO COCK COMP		Y
8	92220800001	2		CLIP		
9	P65212000003	1		FUEL FILTER ASSY	BUDDY 50	Y
9	P65212010001	1		FUEL FILTER ASSY	BUDDY 125	Y
10	P65212100001	1		FUEL FILTER		
11	P652A0300001	1	(B)	OIL HOSE		
11	P652A0200003	1	( A )	OIL HOSE A	BUDDY 50	
12	P652A0200001	1	(A)	OIL HOSE	BUDDY 125	
12	P652A0300003	1	( B )	OIL HOSE B	BUDDY 50	
13	92220900001	2		PLATE CLIP	BUDDY 125	
14	P6706011000	1		BRACKET,FUEL FILTER		
15	P65260300001	1		VACUUM PIPE	BUDDY 50	
15	P65260300000	1		VACUUM PIPE	BUDDY 125	
16	92220700000	2		CLIP		

F12. **BUBU**  
FRAME (FOR BUBU100/125)

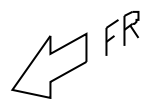
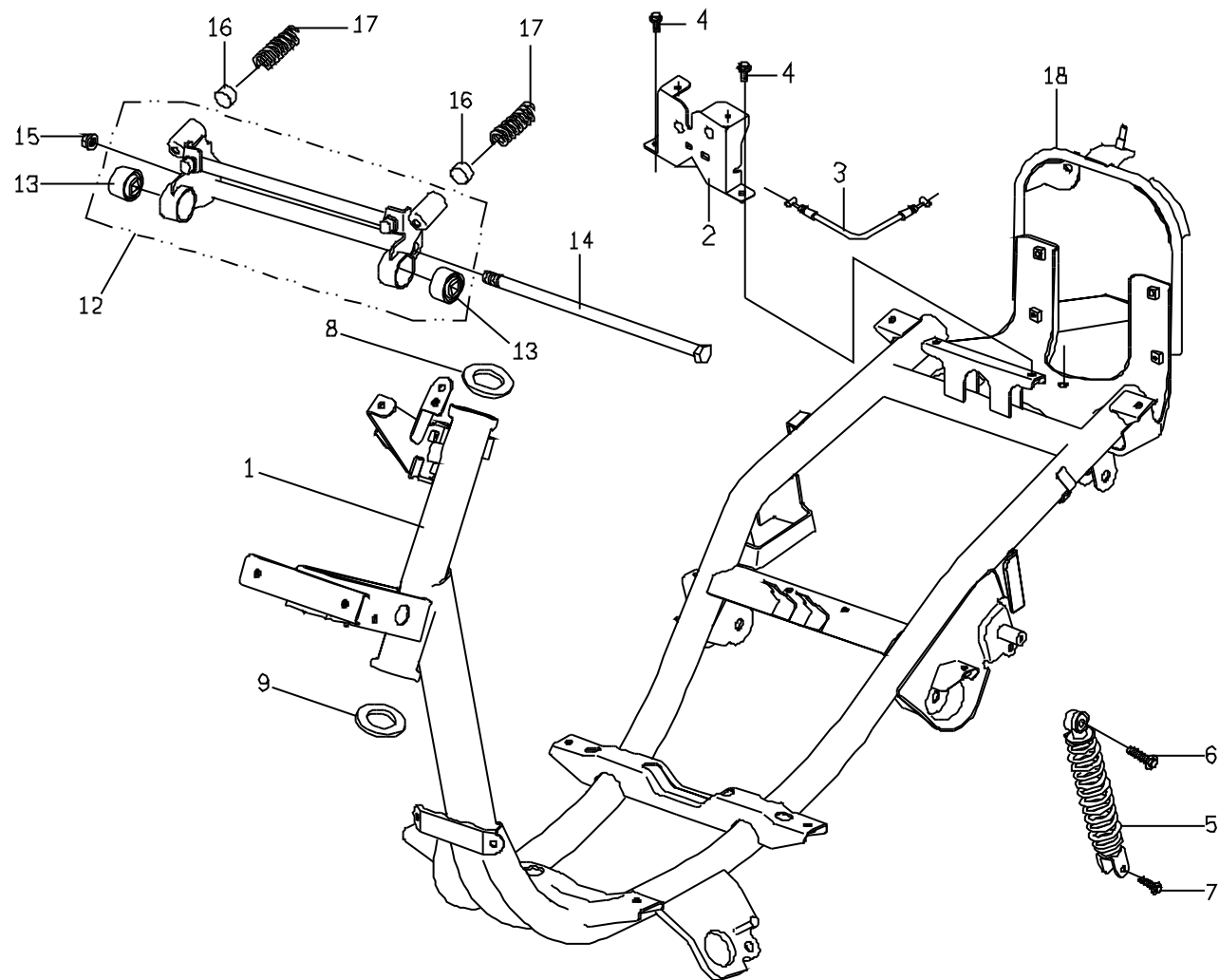


**F12. BUDDY 125\_FRAME**

No.	Part No.	Q'TY	PART NAME	PART NAME	REMARK	FMSP (Y/N)
1	P64210026001	1	(E.D)	FRAME COMP		
2	P5671300000	1		SEAT LOCK COMP		Y
3	P5671121000	1		SEAT LOCK LEVER CABLE		Y
4	90190601500	2	(M6*15)	HEXAGON FLANGE BOLT		
5	P64810021000	1	( )	CUSHION ASSY,RR.(RED)	RED	Y
6	90191004000	1	(M10*40)	HEXAGON FLANGE BOLT		
7	90190803201	1		HEXAGON FLANGE BOLT		
8	P6462000600	1	(E.D)	SIDE STAND COMP(FIXED)		Y
9	90191002800	3		HEXAGON FLANGE BOLT		
10	92061000000	1	U	U TYPE NUT		
11	C2462120000	1		SIDE STAND SPRING		Y
12	C1486003000	1		ENGINE HANGER COMP		Y
13	C1486010000	2		CUSHION RUBBER		
14	90191018000	1		HEXAGON BOLT		
15	92061000001	1		LOCK NUT		
16	C1486050000	2		RUBBER,DAMPER		
17	90191005500	2	(M10*55L)	HEXAGON FLANGE BOLT(M10*55L)		
18	P64215016000	1	(E.D)	FUEL TANK BRACKET		
19	P6461002600	1	(E.D)	CENTER STAND COMP		Y
20	C2461010000	2		BUSH		Y
21	C1701050000	1		RUBBER DAMPING,CENTER STAND		Y
22	P6701020000	1		WATER RESISTANT RUBBER		
23	P64260200005	1		VIN PLATE		
24	E1461121000	1		MAIN STAND SPRING		Y
25	P6421411600	1		WINDSHIELD BRACKET		Y
26	90190601500	2		HEXAGON FLANGE BOLT		



F12.1 車 架  
FRAME (FOR BUBU50)



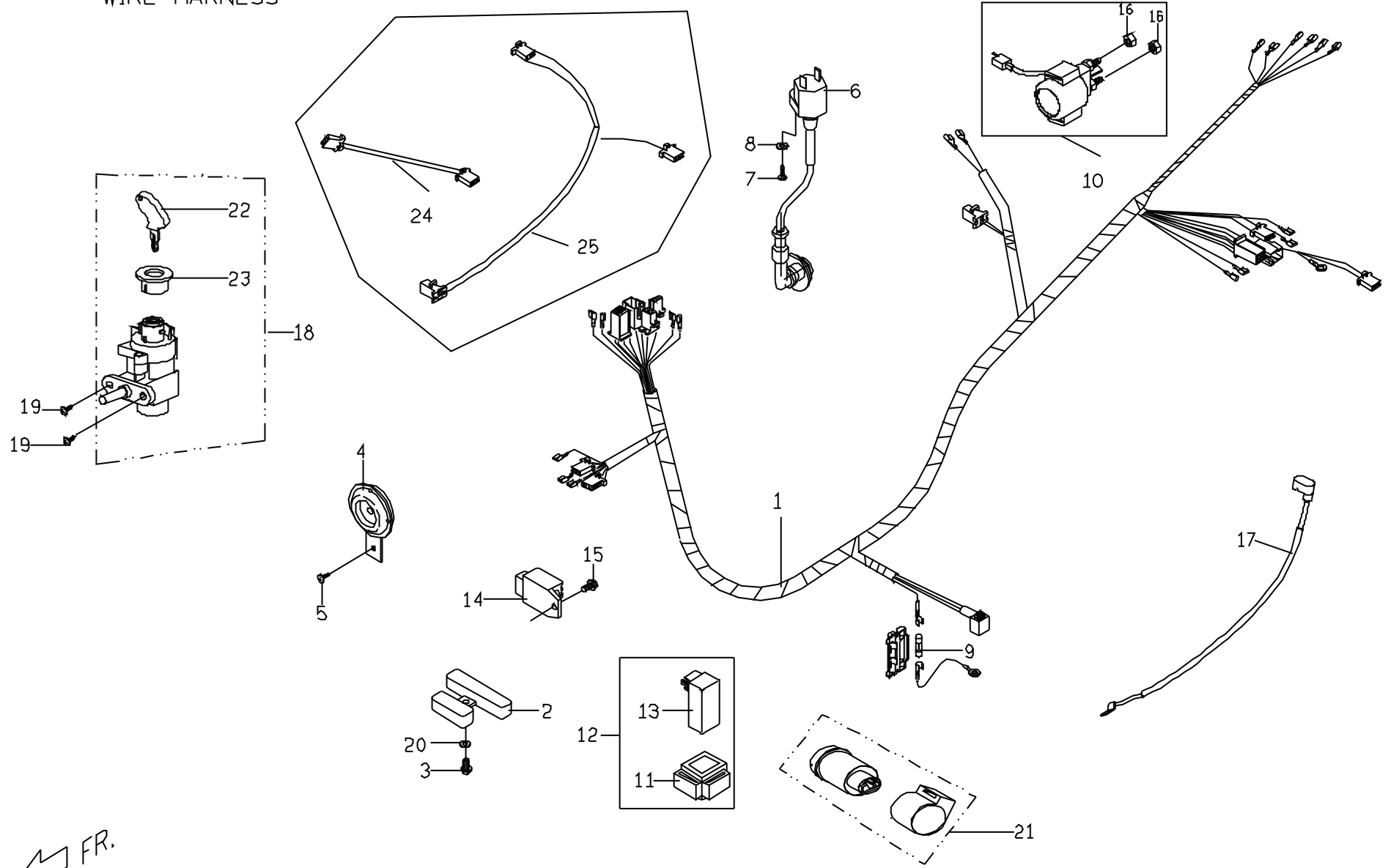
**F12.1 FRAME (BUDDY 50)**

**AVAILABLE FOR BUDDY 50**

No.	Part No.	Q'TY	PART NAME	PART NAME	REMARK	FMSP (Y/N)
1	P64210046002	1		FRAME COMP	BUDDY 50	
2	ES671300000	1		SEAT LOCK COMP		Y
3	P5671121000	1		SEAT LOCK LEVER CABLE		Y
4	90190601500	2	(M6*15)	HEXAGON FLANGE BOLT		
5	P64810021000	1		CUSHION ASSY,RR. (RED)	RED	Y
6	90191004000	1	(M10*40)	HEXAGON FLANGE BOLT		
7	90190803201	1		HEXAGON FLANGE BOLT		
12	C14860010001	1		ENGINE HANGER COMP		Y
13	C1486050000	2		RUBBER,DAMPER		
14	90021229600	1		HEXAGON BOLT		
15	92061000001	1		LOCK NUT		
16	E1486040000	2		RUBBER,DAMPER		
17	E1486050000	2		SPRING		
18	P64215016000	1	(E.D)	FUEL TANK BRACKET		
22	P6701020000	1		WATER RESISTANT RUBBER		
23	P64260600003	1		VIN PLATE		
25	P6421411600	1		BRACKET, WINDSHIELD	MOVABLE MODEL ONLY	Y

F13 **BUBU**  
WIRE HARNESS

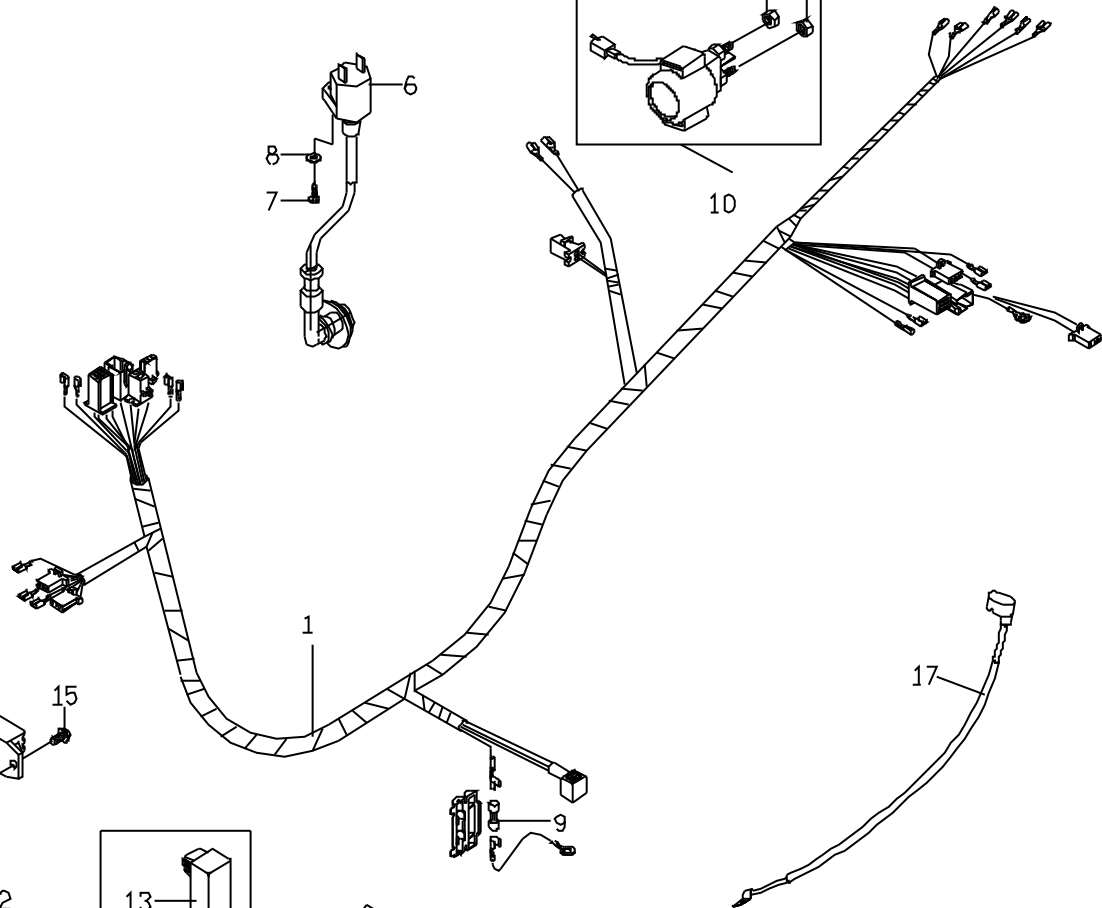
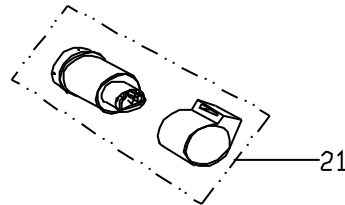
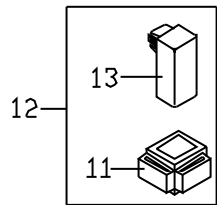
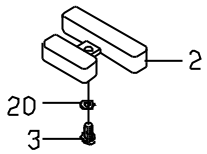
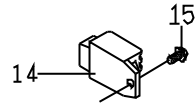
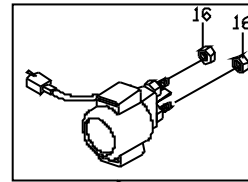
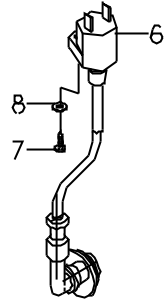
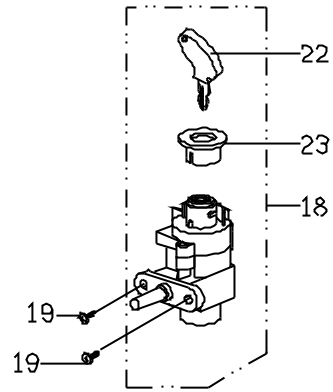
OPTIONAL



**F13. BUDDY 125\_WIRE HARNESS**

No.	Part No.	Q'TY	PART NAME	PART NAME	REMARK	FMSP (Y/N)
<b>1</b>	<b>P65816010005</b>	<b>1</b>		<b>WIRE HARNESS</b>		<b>Y</b>
2	P65866000001	1	A	RESISTOR A		Y
3	90190601200	1	(M6*12L)	HEXAGON FLANGE BOLT		
4	P5583600000	1		HORN		Y
5	90190601200	1	(M6*12L)	HEXAGON FLANGE BOLT		
6	C1584601000	1		COIL COMP,IGNITION		Y
7	90070502000	1		C-R MACHINE HD,TAPPING SCREW		
8	92110500000	1		SPRING LOCK WASHER		
9	C158A020000	1		FUSE		
10	C1581001000	1		STARTER RELAY AND SUPPORTOR ASSY		Y
11	C1701200000	1		RUBBER BRACKET		
12	C1582001000	1		CDI UNIT ASSY		Y
14	C1584000000	1	( )	VOL REGULATOR COMP		Y
15	90190601500	2		HEXAGON FLANGE BOLT		
16	92030600004	2		HEXAGON NUT		
17	P6583020000	1		BATTERY (+)LINE		
18	P5552002000	1		IGNITION SWTTCH ASSY		Y
19	90040601601	1		C-R MACHINE HD,TAPPING SCREW		
20	92130600000	1		TEETH WASHER		
<b>21</b>	<b>C15860000000</b>	<b>1</b>		<b>FLASHER RELAY ASSY</b>		<b>Y</b>
22	P555B011000	1		DUMMY KEY		
23	P555B020000	1		INDICATOR PLATE		
<b>24</b>	<b>P2581660000</b>	<b>1</b>		<b>HEADLAMP CONNECTING WIRE</b>		
<b>25</b>	<b>M25816600000</b>	<b>1</b>		<b>FRONT SIGNAL CONNECTING WIRE</b>		

F13 **BUBU**  
WIRE HARNESS



FR. ←

**F13.1 BUDDY 50 / WIRE HARENESS**

**AVAILABLE FOR BUDDY 50**

No.	Part No.	Q'TY	PART NAME	PART NAME	REMARK	FMSP (Y/N)
1	P65816010002	1		WIRE HARNESS (BUDDY 50_MOVABLE)	BUDDY 50 MOVABLE MODEL	
2	P15866000002	1	B	RESISTOR B	BUDDY 50	Y
3	90190601200	1		HEXAGON FLANGE BOLT		
4	P5583600000	1		HORN		Y
5	90040601400	1		C-R MACHINE HD,TAPPING SCREW		
6	C15846010001	1		COIL COMP,IGNITION	BUDDY 50	Y
7	90070502000	1	M5*20L	C-R MACHINE HD,TAPPING SCREW		
8	92110500000	1		SPRING LOCK WASHER		
9	E1581630000	1	( 8A )	FUSE	BUDDY 50	
10	P9581000000	1		STARTER RELAY AND SUPPORTOR	BUDDY 50	Y
11	P1701190000	1		RUBBER BRACKET		
12	NA	1		CDI UNIT COMP	BUDDY 50_NOT SUPPLIED	
13	P5582000000	1		CDI UNIT	BUDDY 50	Y
14	C1584000000	1		VOL REGULATOR COMP		Y
15	90190602000	1		HEXAGON FLANGE BOLT		
16	92030600004	2		HEXAGON NUT		
18	P5552002000	1		IGNITION SWTTCH ASSY		Y
19	90040601600	2	( M6*16L )	C-R MACHINE HD,TAPPING SCREW		
20	92140600005	1		WASHER		
21	P2586011000	1		FLASHER RELAY ASSY		Y
22	P555B011000	1		KEY,BLANK		
23	P555B020000	1		INDICATOR PLATE		
24	P2581660000	1		HEADLAMP CONNECTING WIRE		
25	M25816600000	1		FRONT SIGNAL CONNECTING WIRE		

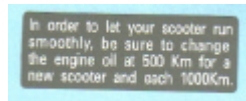
# F14. BUDDY-125 LABEL



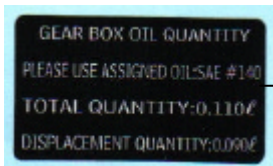
— 1



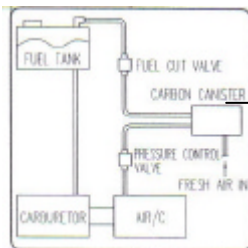
— 2



— 3



— 4



— 5



— 6



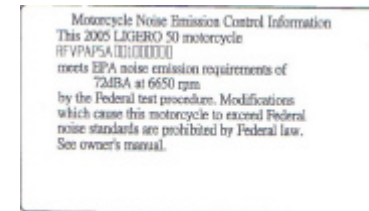
— 7



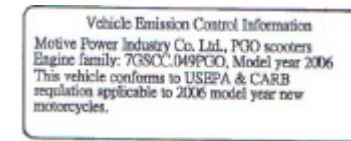
— 8



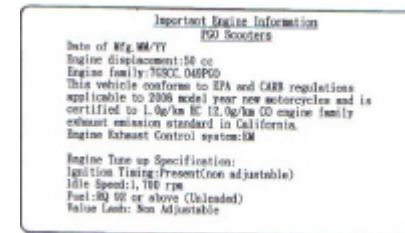
— 12



— 13



— 14



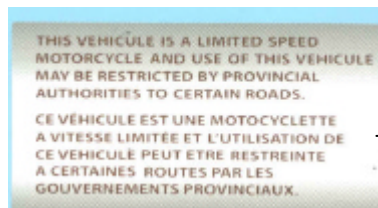
— 15

**Buddy**  
 125

— 9



— 10



— 11

**Buddy**  
 50

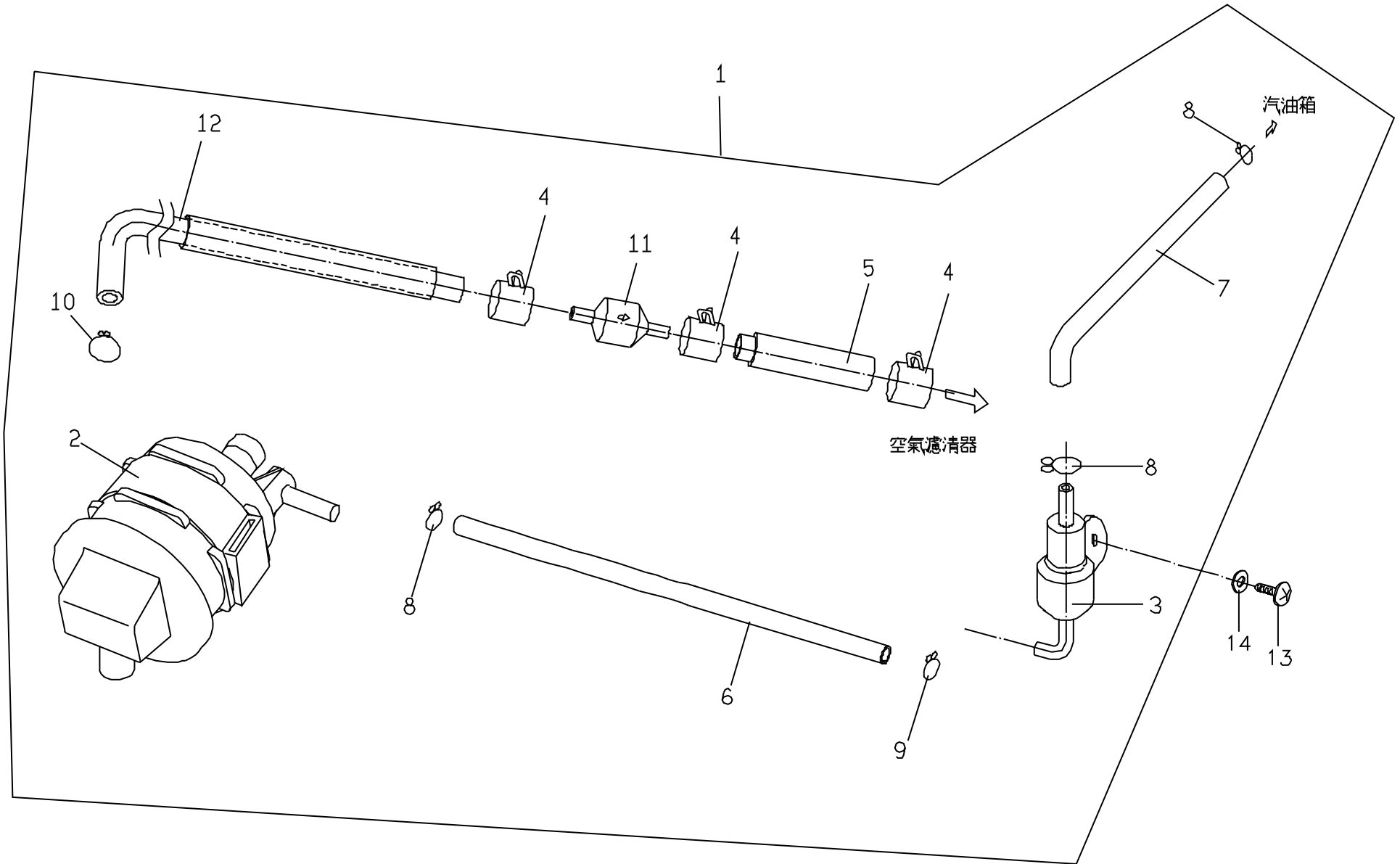
— 16

**F14. BUDDY 50/125\_LABELS**

No.	Part No.	Q'TY	PART NAME	PART NAME	REMARK	FMSP (Y/N)
1	C16030000001	1		NOTICE LABEL	BUDDY 50/BUDDY 125	
2	C1603020000	1		FUEL LABEL	BUDDY 125	
3	C16030100001	1		OIL REPLACEMENT LABEL	BUDDY 125	
4	C16031400001	1		GEAR OIL REPLACEMENT LABEL	BUDDY 125	
5	P6603010000	1	EEC	EEC SYSTEM LABEL	BUDDY 125	
6	P6603100000	1		ENGINE DATA LABEL	BUDDY 125	
7	P66030700006	1	- BUDDY 125 2006	EPA CONTROL LABEL	BUDDY 125	
8	P66031300000	1	(BUDDY 125)	NOISE INFORMATION LABEL	BUDDY 125	
9	P66013900000	3	BUDDY 125 ( - )	BUDDY 125 LABEL	BUDDY 125	Y
10	P66014000000	1	GENUINE LOGO ( - )	GENUINE LOGO LABEL	BUDDY 50/BUDDY 125	Y
11	C1603070000	1		TIRE INFORMATION LABEL	BUDDY 50/BUDDY 125	
<b>12</b>	<b>P1603040000</b>	<b>1</b>		<b>FUEL TYPE LABEL</b>	<b>BUDDY 50</b>	
<b>13</b>	<b>P66031410000</b>	<b>1</b>	<b>(BUDDY 50)</b>	<b>NOISE EMISSION CONTROL INFORMATION PAPER</b>	<b>BUDDY 50</b>	
<b>14</b>	<b>P26030700006</b>	<b>1</b>	<b>- PMX-50 2006</b>	<b>EMISSION CONTROL PAPER</b>	<b>BUDDY 50</b>	
<b>15</b>	<b>P26031000000</b>	<b>1</b>	<b>PMX-50</b>	<b>ENGINE INFORMATION STICKER</b>	<b>BUDDY 50</b>	
<b>16</b>	<b>P66013800000</b>	<b>3</b>	<b>BUDDY 50 ( - )</b>	<b>BUDDY 50 STICKER</b>	<b>BUDDY 50</b>	<b>Y</b>



F15 燃料蒸發回C控制系統  
E.E.C SYSTEM



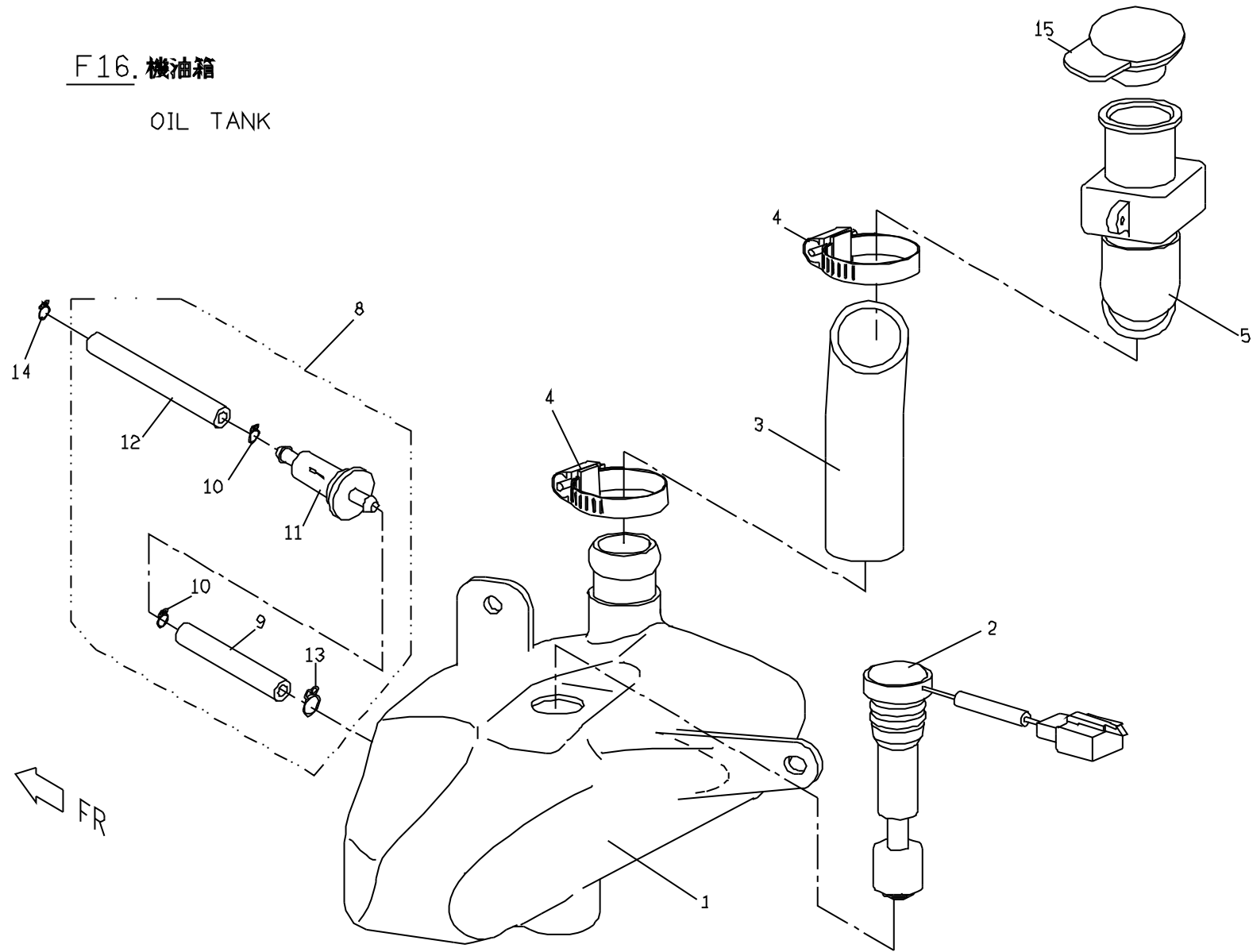
**F15. BUDDY 125 EEC SYSTEM HC**

**AVAILABLE FOR BUDDY 125**

No. □□	Part No. □□□□	Q'TY □□	PART NAME □□□□□□	PART NAME □□□□□□	SPECIFICATION □□	FMSP (Y/N)
<b>1</b>	<b>P6524001000</b>	<b>1</b>	<b>□□□□HC□□□□</b>	<b>E.E.C. SYSTEM</b>	<b>BUDDY 125</b>	
2	P6524010000	1	□□□□	CANISTER		
3	P5524020000	1	□□□□□	FUEL CUTTING VALVE		
4	C152D060000	3	□□□□	CLIP		
5	P6524031000	1	□□□	RUBBER TUBE		
6	C2524050000	1	□□□	RUBBER TUBE		
7	C2524060000	1	□□□	RUBBER TUBE		
8	P552D080000	3	□□□□	CLIP		
9	C152D050000	1	□□□□	CLIP		
10	P552D070000	1	□□□□	CLIP		
11	P6524120000	1	□□□□□			
12	P6524060000	1	□□□	RUBBER TUBE		
13	90040601000	1	□□□□□□□□□□	C-R RECESS PAN HD.TAPPING SCREW		
14	92140600005	1	□□□	PLAIN WASHER		

F16. 機油箱

OIL TANK



**F16. BUDDY 50 / OIL TANK**

**AVAILABLE FOR BUDDY 50**

No.	Part No.	Q'TY	PART NAME	PART NAME	REMARK	FMSP (Y/N)
1	P6522501000	1		OIL FUEL		<b>Y</b>
2	P5522700000	1		OIL GAUSE COMP.		Y
3	P65225210002	1		OIL FUEL TRANSMSSION HOSE		
4	P5706270000	1		CLIP		
5	P5522512000	1		OIL FUEL TANK		
6	P65225300002	1		FIXED PLATE,FUEL TANK		
7	90110401200	2		C-R RECESS PAN HD.TAPPING		
8	P6522200000	1		OIL CLEAN ASSY		
9	NA	1	( )	OIL FUEL TRANSMSSION HOSE		
10	92200700000	2		HOSE CLAMP		
11	E152B000000	1		OIL CLEAN		
12	NA	1	( )	OIL FUEL TRANSMSSION HOSE		
13	92200700000	1		HOSE CLAMP		
14	92200700000	1		HOSE CLAMP		
15	P1522300000	1		OIL TANK COVER		<b>Y</b>
16	P5706280000	1		CLIP		