

# HOTflow™ HEATING SYSTEM — CSM

HOTSTART's HOTflow™ heating system (CSM model) is a complete coolant preheater with thermostat, pump and all required controls. The CSM model heats engines ranging in size from 15L-100L displacement. Forced circulation of the coolant delivers uniform heating throughout the entire engine, extends element life and offers a significant reduction in electrical consumption.

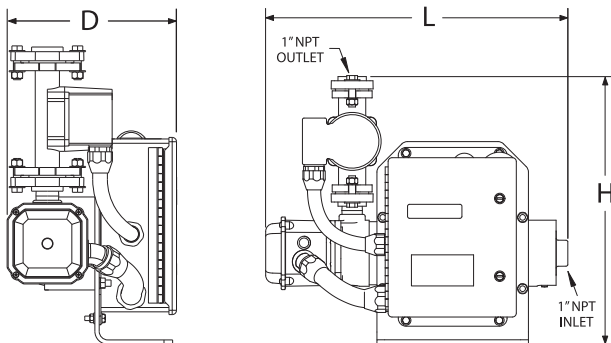


## APPLICATION

HOTflow™ model CSM was developed to preheat diesel and gas engines for stationary land power, marine, large mining and construction equipment.

## SPECIFICATIONS

- Heating Fluid: Engine coolant (50% glycol/50% water)
- Power: 3, 6, 9 and 12 kW
- Rated Voltage: 1 or 3 Phase 120... 690 Volt (50 or 60Hz)
- Tank Material: Aluminum
- Adjustable T-Stat: 90° - 130°F (32° - 55°C)  
Pre-set at 110°F (43.5°C)
- Ingress Protection: IP44 (50Hz), NEMA 2 (60Hz)
- Fluid Capacity: .6 gl (2.19L)
- Pump Power: 1/25HP (30W)
- Flow: 10GPM (2.2 m³/hr) @ 10ft head (.3 bar)
- Max Pressure: 125PSI (8.61 bar)
- Pressure Loss: .22PSI (.015 bar)
- 1" NPT Inlet, 1" NPT Outlet



## Dimensions & Weight

Phase	1~ less than 50 amps		All Others
Height (H) In (mm)	15.2	(386)	17.2 (437)
Length (L) In (mm)	19.4	(493)	19.4 (493)
Depth (D) In (mm)	9.8	(249)	9.8 (249)
Weight lbs (kg)	37	(16.8)	54 (24.5)

## FEATURES

- UL-C/US listed - (60 Hz models) - E250789CE
- CE compliant (50 Hz models)
- Controls for automatic operation
- Compact design
- Easy to install



# HOTflow™ HEATING SYSTEM — CSM

1Ø or 3Ø  
Over 240V



1Ø  
240V or Less

## PART NUMBERS

Engine Size CID	Engine Size Liter	Part Number	kW	Volts	Phase	Hz	Amps
1000-2000	15-30	CSM10301-000	3	120	1	60	27.0
		CSM10308-000	3	208	1	60	16.4
		CSM1030C-000	3	220	1	50	15.6
		CSM10302-000	3	240	1	60	14.5
2000-3000	25-50	CSM10608-000	6	208	1	60	30.8
		CSM1060C-000	6	220	1	50	29.3
		CSM10602-000	6	240	1	60	27.0
		CSM10604-000	6	480	1	60	14.5
		CSM30603-000	6	380	3	50	11.1
		CSM30604-000	6	480	3	60	9.2
		CSM30605-000	6	575	3	60	6.0
3000-4500	50-75	CSM10908-000	9	208	1	60	45.3
		CSM1090C-000	9	220	1	50	42.9
		CSM10902-000	9	240	1	60	39.5
		CSM10904-000	9	480	1	60	20.8
		CSM30903-000	9	380	3	50	15.7
		CSM30904-000	9	480	3	60	12.8
4500-6000	75-100	CSM11202-000	12	240	1	60	52.0
		CSM11204-000	12	480	1	60	27.0
		CSM31203-000	12	380	3	50	20.3
		CSM31204-000	12	480	3	60	16.5

Other voltages available. Consult the factory.

