

# Howell 2-Piece Full Port Ball Valve

## SPECIFICATIONS:

- Stainless Steel body
  - Excellent corrosion resistance
- Full Port Design, 1000 PSI
  - Minimal pressure drop
- Threaded Ends
- Blowout Proof Stem for Safety
- Adjustable Packing Gland
- Solid Ball Construction
- Pressure Balanced Ball
- Stainless Locking Lever Handle
  - Ability to lock valve in open or closed position
- Material Traceability
- Size Range: ¼" to 3"



## STANDARDS:

CRN Registered  
 Conforms to MSS SP-110  
 NACE – MR0175  
 EN1024 – DIN 50-049-3.1B  
 CE Approved for Europe  
 Valve Testing – API 598, MSS SP 61

## HOW TO ORDER:

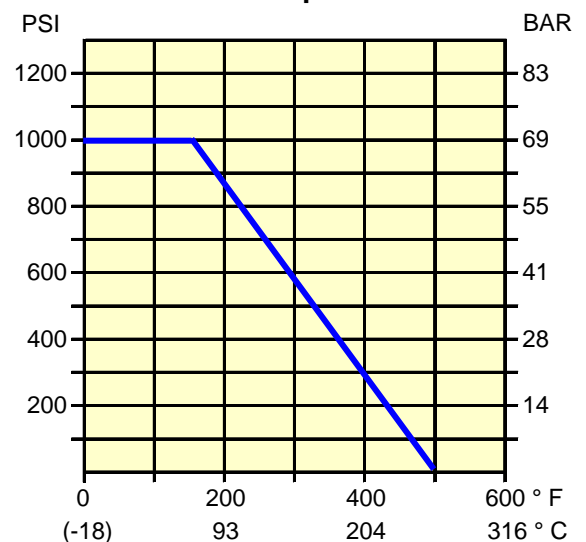
Series - Body - Ends - Seat - Size  
 H2 - SS - IP - R - RPTFE \* - 1-1/2"

\* RPTFE Seats are Standard

Sample Description and Part# :

H2-SS-IP-R-112  
 H2 2PC SS IP RPTFE FP BALL 1-1/2"

**Pressure & Temperature Chart**

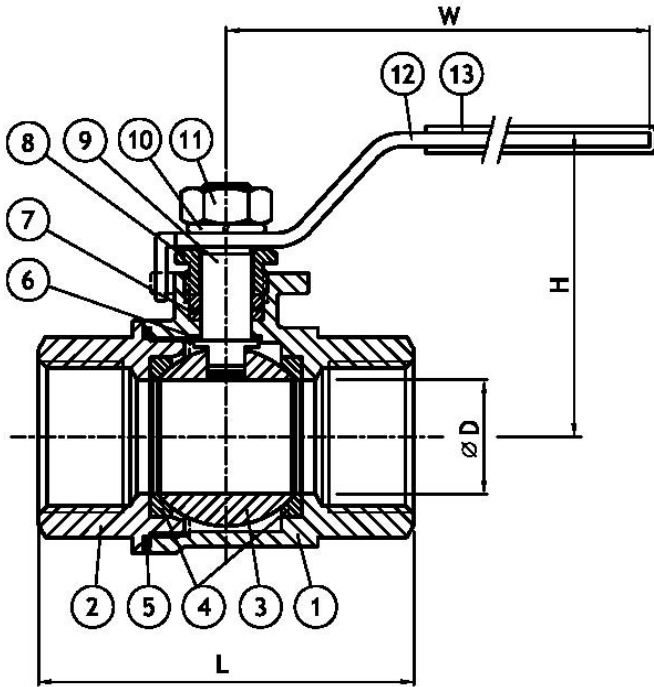




# SERIES H2 Two Piece

## MATERIALS LIST:

Item	Part	For Stainless Steel Valve	Qty
1	Body	ASTM A351 CF8M	1
2	End Cap	ASTM A351 CF8M	1
3	Ball	ASTM A351 CF8M	1
4	Seat	RPTFE	2
5	Joint Gasket	PTFE	1
6	Thrust Washer	PTFE	1
7	Stem Packing	PTFE	1
8	Gland Nut	304 SS	1
9	Stem	316 SS	1
10	Stem Washer	304 SS	1
11	Stem Nut	304 SS	1
12	Handle	304 SS	1
13	Handle Grip	Vinyl	1
14	Locking Device	304 SS	1



## DIMENSIONS:

SIZE	D	H	L	W
1/4"	11.5	56	48.5	108
3/8"	12.5	56	48.5	108
1/2"	15	59	58	108
3/4"	20	62	65	108
1"	25	68	77	130
1-1/4"	32	88	90	130
1-1/2"	38	100	98	152
2"	50	108	120	182
2-1/2"	65	125	145	220
3"	80	136	161.5	250

Unit:MM

### Estimated Cv Values

Size	Cv Value
1/4"	15
3/8"	15
1/2"	15
3/4"	38
1"	65
1-1/4"	118
1-1/2"	195
2"	320
2-1/2"	410
3"	640

### Valve Weights

Size	(KG)	(LB)
1/4"	0.2	0.5
3/8"	0.2	0.5
1/2"	0.3	0.6
3/4"	0.4	0.9
1"	0.6	1.4
1-1/4"	0.9	2.1
1-1/2"	1.8	4.0
2"	2.5	5.6
2-1/2"	5.1	11.4
3"	7.9	17.4

Howell reserves the right to alter design specifications without notice.