

# Howell Flanged **FIRESAFE** Ball Valve

Easy to Actuate

## SPECIFICATIONS:

- Available in Carbon Steel and Stainless Steel
- Full Port Design
- Flanged, Two Piece Body
- Class 150 and Class 300
- Blowout Proof Stem for Safety
- ISO 5211 Direct Mounting Pad
- Anti-Static Device
- Live Loaded Stem Design for High Cycle Life
- Silicone Free
- Material Traceability
- Size Range: ½” to 4”



## STANDARDS:

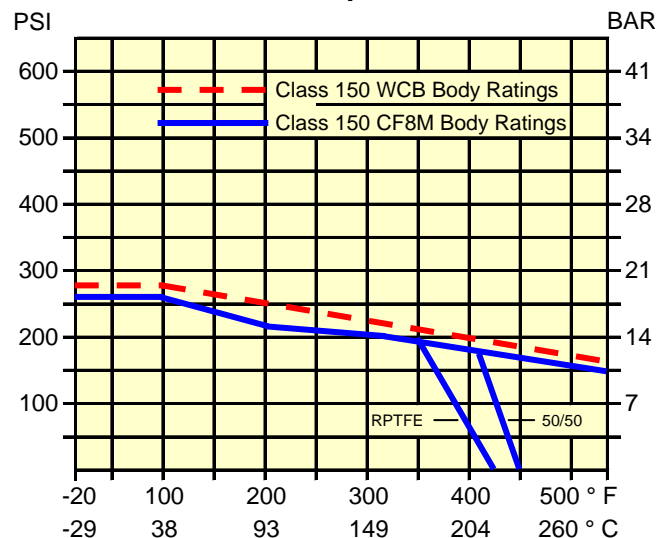
CRN Registered  
 FIRESAFE – API 607 5<sup>th</sup> Edition  
 NACE – MR0175  
 EN1024 – DIN 50-049-3.1B  
 CE Approved for Europe  
 Valve Testing – API 598, MSS SP 61

## HOW TO ORDER:

Series	Body	Class	Seat
H51F	CS	F1	R - RPTFE *
	SS	F3	T - PTFE
			S - 50/50 Stainless/TFE
			P - Peek

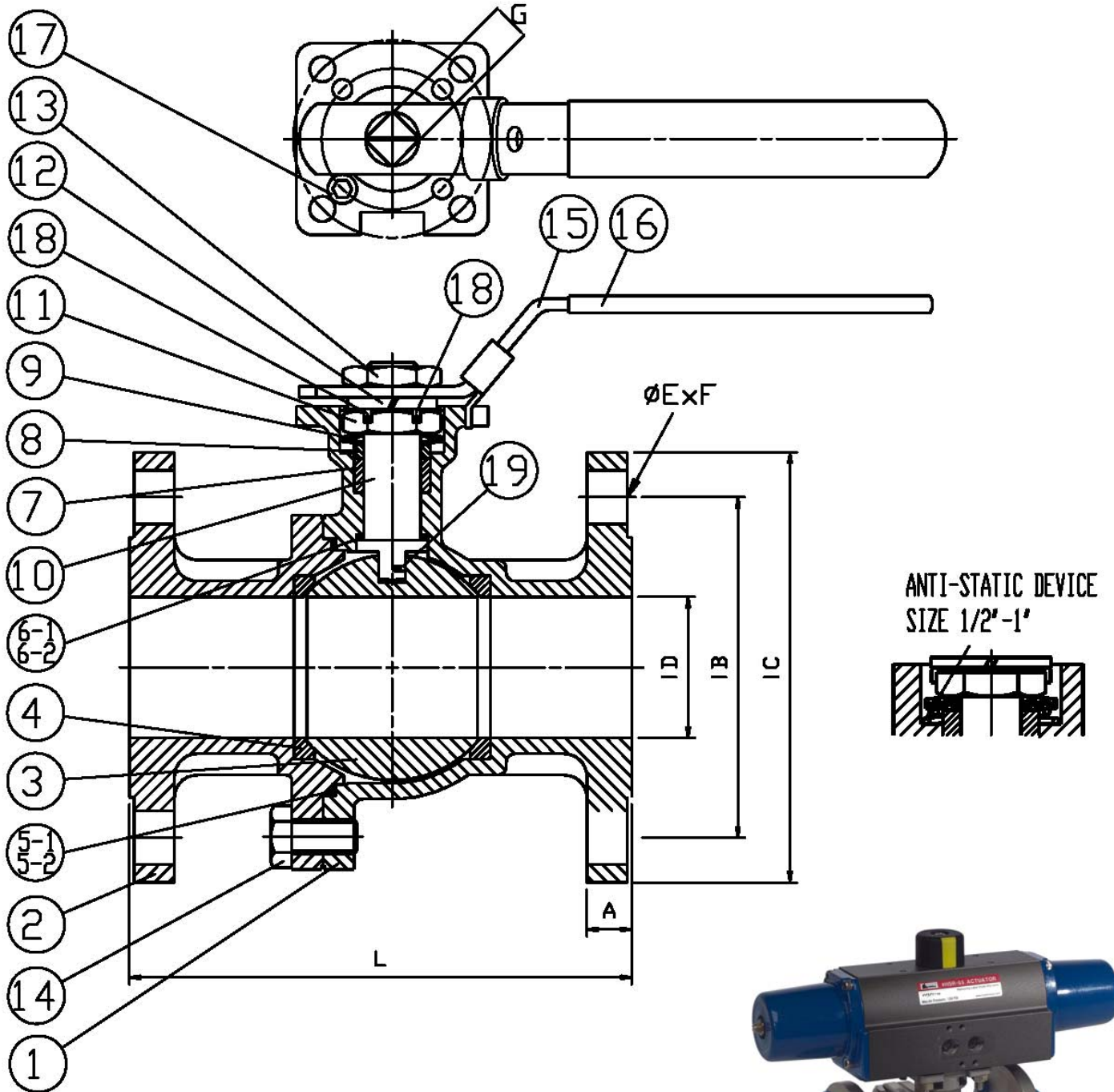
\* RPTFE Seats Standard

## Pressure & Temperature Chart



### Sample Description and Part# :

H51F-CS-F1-R-3  
 H51F CS 150# FLGD RPTFE FP BALL 3"





# SERIES H51F FLG FIRESAFE

## MATERIALS LIST:

Item	Part	For Stainless Steel Valve	For Carbon Steel Valve	Quantity
1	Body	ASTM A351 CF8M	ASTM A216 WCB	1
2	End Cap	ASTM A351 CF8M	ASTM A216 WCB	1
3	Ball	ASTM A351 CF8M/316	ASTM A351 CF8M/316	1
*4	Seat	RPTFE	RPTFE	2
*5-1	Gasket	PTFE	PTFE	1
*5-2	Gasket	Graphite	Graphite	1
*6-1	Thrust Washer	PTFE	PTFE	1
*6-2	Thrust Washer	Graphite	Graphite	1
*7	Stem Packing	Graphite	Graphite	1
8	Gland	304 SS	304 SS	1
9	Belleville Washer	301 SS	301 SS	2
10	Stem	ASTM A276 316	ASTM A276 316	1
11	Packing Nut	304 SS	304 SS	1
12	Spring Washer	304 SS	304 SS	1
13	Handle Nut	304 SS	304 SS	1
14	Bolts	ASTM A193 B8	ASTM A193 B7	4-8
15	Handle	304 SS	Zinc Plated Steel	1
16	Handle Grip	Vinyl	Vinyl	1
17	Stopper Nut	304 SS	Carbon Steel	1
*18	Lock Saddle	304 SS	304 SS	1
19	Anti-Static Device	304 SS	304 SS	1

\* included in repair kit

## DIMENSIONS:

SIZE	A		Ø B		Ø C		Ø D		E		F	G		L		ISO5211 (F)
	IN	MM	IN	MM	IN	MM	IN	MM	IN	MM		IN	MM	IN	MM	
1/2"	0.44	11.2	2.38	60.5	3.50	88.9	0.50	12.7	0.62	15.8	4	0.35	9.0	4.25	108.0	F03-F04
3/4"	0.44	11.2	2.75	69.9	3.88	98.6	0.75	19.1	0.62	15.8	4	0.35	9.0	4.62	117.0	F03-F04
1"	0.44	11.2	3.12	79.2	4.25	108.0	1.00	25.4	0.62	15.8	4	0.43	11.0	5.00	127.0	F04-F05
1-1/2"	0.56	14.2	3.88	98.6	5.00	127.0	1.50	38.1	0.62	15.8	4	0.55	14.0	6.50	165.0	F05-F07
2"	0.62	15.8	4.75	120.7	6.00	152.4	2.00	50.8	0.75	19.1	4	0.55	14.0	7.00	178.0	F05-F07
* 2-1/2"	0.69	17.5	5.50	139.7	7.00	177.8	2.50	63.5	0.75	19.1	4	0.67	17.0	7.50	191.0	F07-F10
3"	0.75	19.1	6.00	152.4	7.50	190.5	3.00	76.2	0.75	19.1	4	0.67	17.0	8.00	203.0	F07-F10
4"	0.94	23.9	7.50	190.5	9.00	228.6	4.00	101.6	0.75	19.1	8	0.87	22.0	9.00	229.0	F10-F12

\* special order

### Break Away Torques

Size	(in/lbs)
1/2"	89
3/4"	106
1"	133
1-1/2"	345
2"	416
3"	788
4"	956

### Estimated Cv Values

Size	Cv Value
1/2"	17
3/4"	43
1"	74
1-1/2"	290
2"	410
3"	1120
4"	1700

### 150lb Valve Weights

Size	(KG)	(LB)
1/2"	1.8	4.0
3/4"	2.3	5.0
1"	3.2	7.0
1-1/2"	6.8	15.0
2"	10.0	22.0
3"	13.6	30.0
4"	18.6	41.0