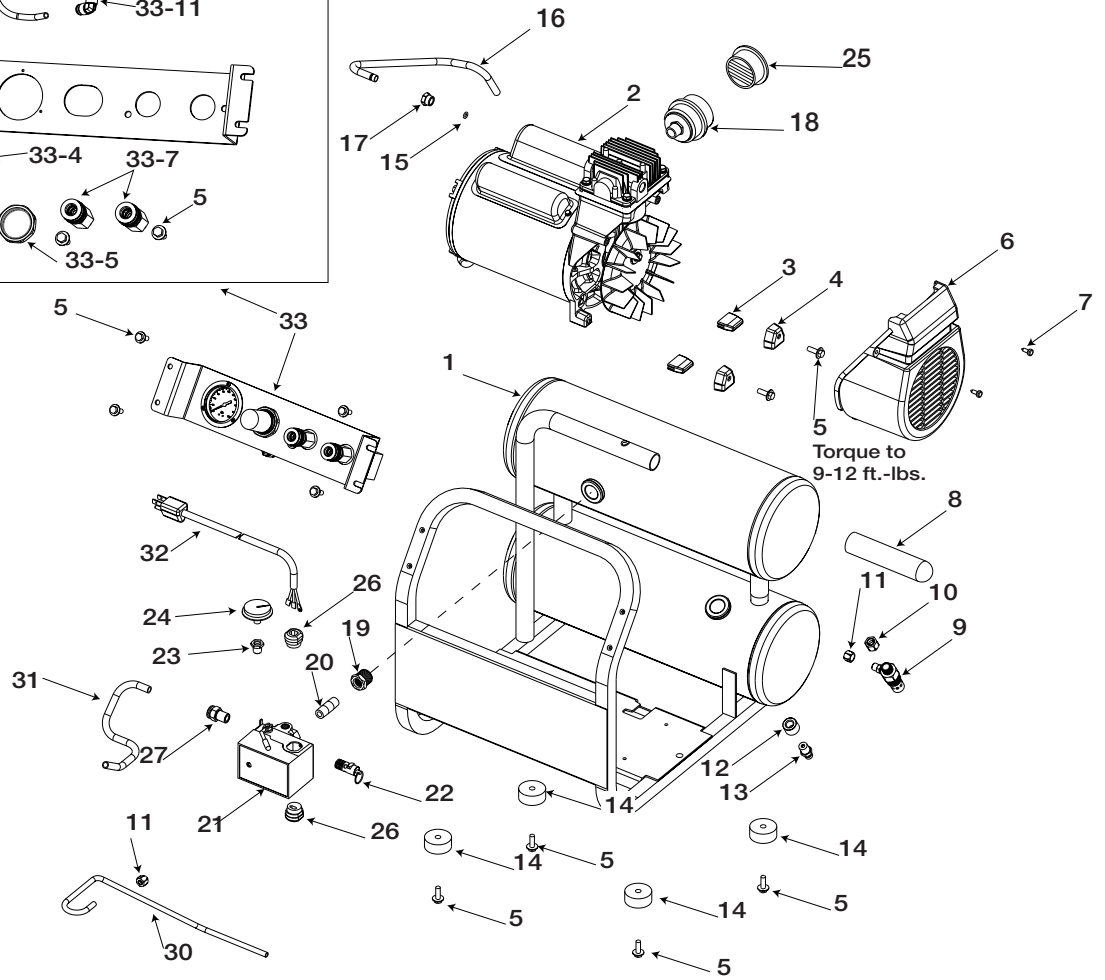
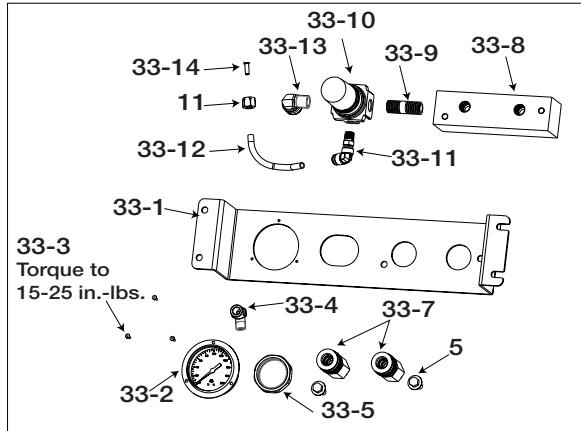


# CPF23400S-1



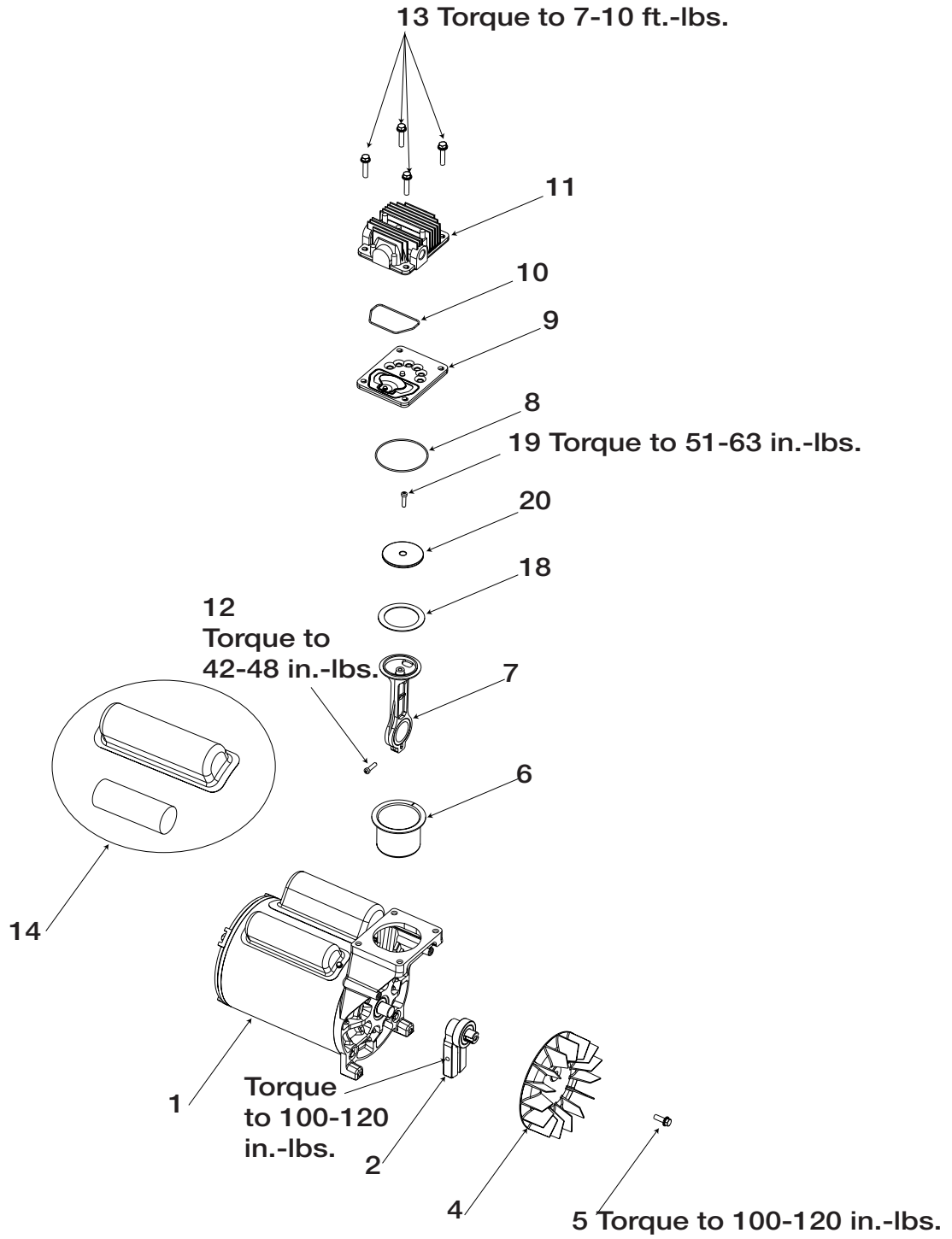
# CPF23400S-1 (cont'd)

<b>Key No.</b>	<b>Part Number</b>	<b>Description</b>
1	Z-D20695	Air Receiver Assembly
2	See Page 2	Pump Assembly
3	ACG-19	Isolators
4	ACG-18	Cup Saddle Mount
5	91895680	Screw 1/4 - 20 X .75
6	D20653	Mini Shroud
7	ACG-408	Fastener Assembly
8	AC-0261	Handle Grip
9	AC-0631	Check Valve
10	SSP-7813	Nut Sleeve Assembly 3/8"
11	SSP-7811	Nut Sleeve Assembly 1/4"
12	SSP-512	Bushing Facing 1/2 X 1/4
13	AC-0430	Drain Valve
14	SST-108	Rubber Bumper
15	SSG-3105	O-Ring
16	D20694	Outlet Tube
17	SSP-7821-1	Nut, Tubing 3/8"OD
18	K-0286	Solberg Filter Kit
19	SSP-517	Bushing Reducer
20	SSP-513	Nipple, 1/4 NPT X 1.5
21	Z-AC-0809	Pressure Switch
22	TIA-4150	Safety Valve
23	SSP-6021	Bushing Reducer 1/8-1/4NP
24	GA-366	Gauge
25	AC-0281	Filter Element Replacement
26	SSW-7367	Strain Relief Bushing
27	SSP-549	Fitting, 1/4NPT Connect
30	D21105	Pressure Release Tube
31	D20979	Manifold Tube, 3/8 OD
32	AC-0539	Power Cord Assembly
33		See Individual Components
33-1	D20705	Console
33-2	Z-GA-372	Gauge-1/8 NPT
33-3	-----	Screw, #4-40 X.375
33-4	-----	Fitting, 1/8NPT
33-5	D20155	Ring, Regulator Nut
33-7	D20675	Quick Connect 1/4NPT
33-8	-----	Manifold (order new console)
33-9	AC-0231	Nipple 1/4-18 NPT X 1.5
33-10	D20763	Regulator
33-11	D20945	Fitting, 1/8NPT
33-12	AC-0681	Manifold Tube 1/4 OD
33-13	-----	Brass Elbow with Compression Nut
33-14	SSP-9013	Tube Insert

## **Not Illustrated**

- LA-2828 Label, Hot Surface
- D23071 Label, English/Spanish/French Warning
- LA-2900 Label, Drain Tank Warning
- LA-3115 Label, Pressure Switch Warning
- D23065 Label, Maintenance-English/Spanish/French

# CPF23400S-1 (cont'd)



# CPF23400S-1 (cont'd)

<b>Key No.</b>	<b>Part Number</b>	<b>Description</b>
1	Z-D21681	Motor
2	Z-AC-0140	Eccentric Bearing Assembly Includes eccentric, bearing, and screw
4	AC-0108	Fan
5	SSF-586	Screw 1/4 -20 UNC x .75
✓• 6	-----	Cylinder Sleeve
✓ 7	-----	Connecting Rod Assembly
✓• 8	SSG-8156	O-Ring
9	Z-AC-0032	Valve Plate Assembly
✓• 10	ACG-45	O-Ring
11	D21348	Head
✓ 12	SSF-3158-1	Screw, 10-24 x .75
13	SSF-927	Screw 1/4-20 x 1.125
14	-----	Kit, Start Cap and Cover
✓• 18	-----	Compression Ring
✓• 19	-----	Screw
✓ 20	-----	Compression Ring Cap

## **Not Illustrated**

D23246	General Manual
D23350	Parts Manual

- 
- ✓ KK-4835      Piston/Cylinder kit
  - K-0650      Cylinder Sleeve/Compression Ring kit