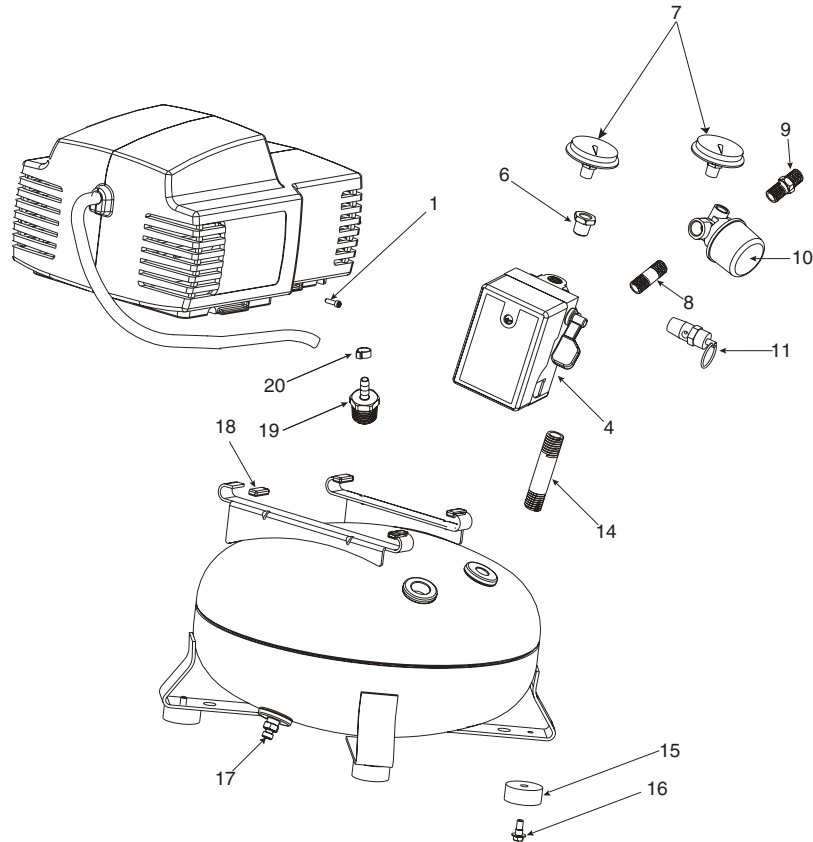


Model No. EXFAC24-3



Key

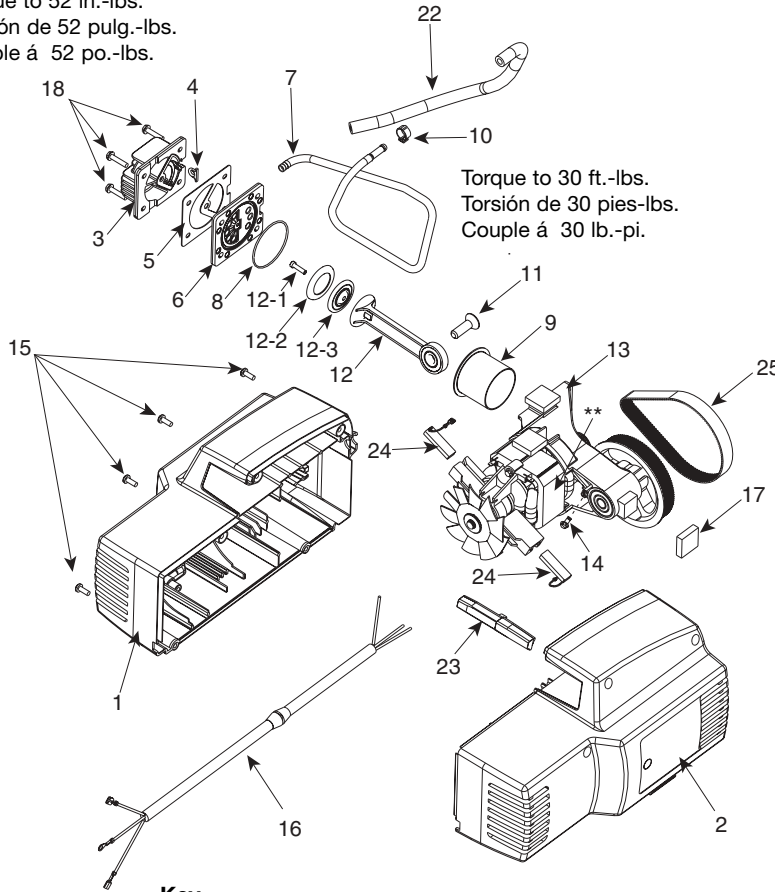
No.	Part Number	Description
1	SSF-621	Screw 1/4-14 x .625
4	Z-D27227	Pressure switch assembly
6	SSP-6021	Reducer bushing 1/8-1/4NPT
7	D23004	Gauge
8	SS-1286	Nipple close 1/4-18 NPT
9	D26889	Adapter 1/4 NPT
10	CAC-4296-1	Regulator
11	D20114	Safety valve
14	D30198	Nipple 1/4-18 NPT x 2.5
15	SST-108	Rubber Bumper
16	91895680	Screw 1/4-20 x .75
17	D23000	Drain valve
18	CAC-1254	Pump isolator (4)
19	D27022	Check valve
20	CAC-1206-1	Clamp
21	D24234	Outlet tube assembly kit

Not Illustrated

D26618	Power Cord Assembly
--------	---------------------

Model No. EXFAC24-3

Torque to 52 in.-lbs.
Torsión de 52 pulg.-lbs.
Couple á 52 po.-lbs.



Torque to 30 ft.-lbs.
Torsión de 30 pies-lbs.
Couple á 30 lb.-pi.

Key

Key No	Part Number	Description
1	★ -----	Shroud, Left
2	★ -----	Shroud, Right
3	D25877	Cylinder Head
4	CAC-1212	Tube Seal
5	Z-D24819	Gasket Head
6	Z-D29777	Valve Plate Assembly
7	CAC-1194-1	Outlet Tube
8	SSG-8169	O-ring
9	•+-----	Cylinder Sleeve
10	CAC-1206-1	Hose Clamp
11	x SSF-3147	Screw, 3/8-16 x 0.375
12	+ -----	Rod Assembly
12-1	• D21127	Screw #10-24
12-2	• -----	Connecting Rod Cap
12-3	• -----	Pre-Formed Compression
13	Z-D27171	Endbell Assembly
14	x SUDL-9-1	Screw, 8-32 x .375/.344
15	+ SSF-3156	Screw 10-9 x .50 (5)
16	A02706	Motor Cord
17	* D25731	Pump Isolator (5)
18	x SSF-995	Screw #10 - 24 x 7/8 (4)
22	H-7051	Hose 1/4" ID x 10"
23	D20492	Handle Support
24	Z-D23825	Brush
25	AC-0815	Timing Belt

Not Shown

CAC-1283 Cover Switch

Kits Available

* D24721	Isolator Kit
+ KK-4964	Connecting Rod Kit
x KK-4929	Fastener Kit
• D30324	Ring Kit
★ A06436	Left/Right Shroud Kit