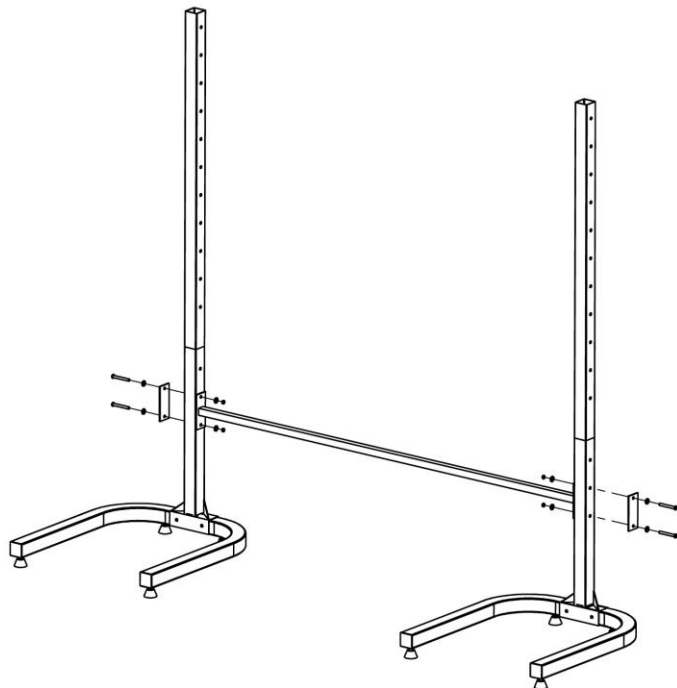


Cross-Bar

For use with Free-Standing Towers

SKU: 21-0101

Updated October 2011



Item #	Parts List	Qty
1	Cross-Bar	1
2	Flat Washers	8
3	Bolts	4
4	Nuts	4
5	Plates	2

Tools required:

1. Adjustable Wrenches

Assembly:

Attach Cross-Bar and Plates per drawing above. It can be moved to different locations along the vertical posts based on where the rack attachments are placed. The lower the cross-bar is to the base, the more stable it will be when using casters.

Use:

This Cross-Bar is an **option** for the Suspenz Free-Standing Rack in either the 2-Boat or the 3-Boat configuration. It will give the rack additional stability in situations where unusual hull shapes can spread the towers apart.

The Cross-Bar is a **mandatory** safety feature when casters (SKU 21-0205) are used to give the racks easy rolling mobility.

Guarantee

All Suspenz products are guaranteed for one year for materials and workmanship. The guarantee is affective to the original owner and if the product was cared for and used in the manner it was intended. Contact Suspenz directly with any questions.

www.suspenz.com



Suspenz Inc.
8725 Roswell Road #0-220
Atlanta GA 30350
770-518-0045

KAYAK-CANOE
storage racks
suspenzTM