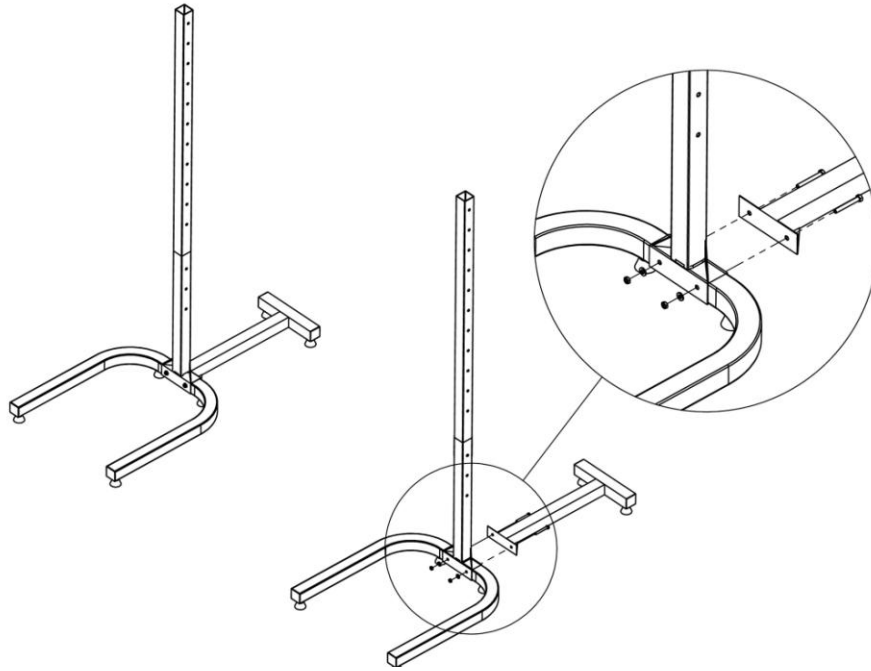


# 32" Back Legs

To be used with Canoe FLAT Racks & Free-Standing Racks

SKU 21-0301

Updated October 2011



Example of Back Leg in use.

### Tools Required:

1. Adjustable Wrench

Item #	Parts List	Qty
1	Yellow Back Leg	2
2	Leveling Foot	4
3	Anchor	4
4	Hex Jam Nut	8

### Assembly:

1. Remove the carriage bolts, washers & lock nuts from original Free-Standing Floor Base & Base Post.
2. Line up Back Leg to Free-Standing Floor Base; attach back leg **using the original hardware**.

**NOTE:** These Back Legs are designed to hold the Canoe FLAT Racks on the back side of the Free-Standing racks. Cross-Bar is required when casters are used.

### Guarantee

All Suspenz products are guaranteed for one year for materials and workmanship. The guarantee is affective to the original owner and if the product was cared for and used in the manner it was intended. Contact Suspenz directly with any questions.

