

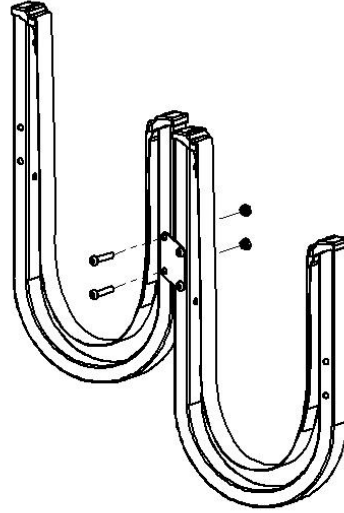
SUP Expansion Racks

SKU 30-0774

Updated Nov 2011

Contains:

- 1 Set of SUP Racks (SKU 11-0701)
- 1 Set of SUP Expansion Plates (SKU 31-5503)



Box #1

SUP Rack Arms	Qty
Use Instruction Sheet in Box	2

Packed Inside Box #1

SUP Expansion Plates	Qty
Use Instruction Sheet in Box	2

Tools required:

1. Allen Key (Included in box)
2. Adjustable Wrench

Assembly:

1. Attach Expansion Plates according to drawing above.
2. Use with both Wall Mount and Free-Standing Rack.

Guarantee

All Suspenz products are guaranteed for one year for materials and workmanship. The guarantee is affective to the original owner and if the product was cared for and used in the manner it was intended. Contact Suspenz directly with any questions.



SUP Racks

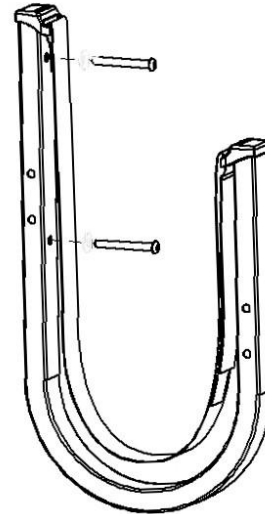
Patent Pending

SKU 11-0701

Updated October 2011

Suspenz, Inc. Spacing Chart®

Boat Length	Ideal Tower Spacing (40%)	Min/Max spacing for each kayak (35% / 50%)
8'	3' 2"	2' 10" / 4'
8' 6"	3' 5"	3' / 4' 3"
9'	3' 7"	3' 2" / 4' 6"
9' 6"	3' 10"	3' 4" / 4' 9"
10'	4'	3' 6" / 5'
10' 6"	4' 2"	3' 8" / 5' 3"
11'	4' 5"	3' 10" / 5' 6"
11' 6"	4' 7"	4' / 5' 9"
12'	4' 10"	4' 2" / 6'
12' 6"	5'	4' 5" / 6' 3"
13'	5' 2"	4' 7" / 6' 6"
13' 6"	5' 5"	4' 9" / 6' 9"
14'	5' 7"	4' 11" / 7'
14' 6"	5' 10"	5' 1" / 7' 3"
15'	6'	5' 3" / 7' 6"
15' 6"	6' 2"	5' 5" / 7' 9"
16'	6' 5"	5' 7" / 8'
16' 6"	6' 7"	5' 9" / 8' 3"
17'	6' 10"	5' 11" / 8' 6"
17' 6"	7'	6' 2" / 8' 9"
18'	7' 2"	6' 4" / 9'
18' 6"	7' 5"	6' 6" / 9' 3"
19'	7' 7"	6' 8" / 9' 6"
19' 6"	7' 10"	6' 10" / 9' 9"
20'	8'	7' / 10'
20' 6"	8' 2"	7' 2" / 10' 3"
21'	8' 5"	7' 4" / 10' 6"
21' 6"	8' 7"	7' 6" / 10' 9"
22'	8' 10"	7' 8" / 11'
22' 6"	9'	7' 11" / 11' 3"



Item #	Parts List	Qty
1	SUP Rack Arm	2
2	Safety Strap (not shown)	2
3	Phillips Head Screw	4

Tools required:

1. Measuring tape
2. Pencil to mark the hole positions
3. Electric drill to set the pilot holes
4. 3/16" Drill bit to set the pilot holes
5. Phillips Head screwdriver
6. Bar of soap

Mounting of Rack:

1. Use the Spacing Chart above as a guideline to determine the distance between each SUP arm.
2. Be sure to mount the SUP arms into a stud. **Screwing only into drywall is not sufficient and could result in injury to self and kayak.**
3. Pre-drill pilot hole for Phillips Head screw using 3/16" drill bit.
4. Rub soap on the screw threads for ease of installation.
5. Mount each SUP per the drawing above.

Strap Adjustment and Use:

1. After the racks have been attached to the wall, place your SUP on Suspension Straps positioning it on its side.
2. Adjust each strap using the Velcro fasteners so the strap holding the SUP is suspended and not touching a hard surface.
3. Place safety strap (not shown) over your SUP, clip buckles together then pull safety straps to achieve a snug fit.

Guarantee

All Suspenz products are guaranteed for one year for materials and workmanship. The guarantee is affective to the original owner and if the product was cared for and used in the manner it was intended. Contact Suspenz directly with any questions.

www.suspenz.com



Suspenz Inc.
 8725 Roswell Road #0-220
 Atlanta GA 30350
 770-518-0045

KAYAK-CANOE
storage racks

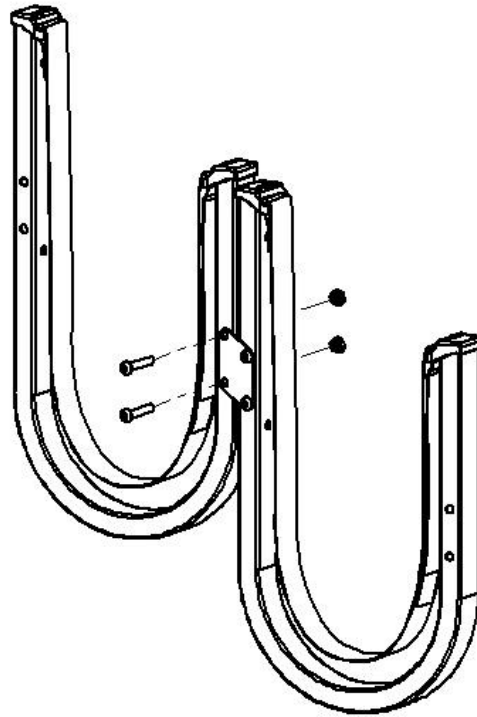
SUSPENZ™

SUP Expansion Plates

Use with SUP Racks

SKU 31-5503

Updated October 2011



Tools required:

1. Allen Key (Included in box)
2. Adjustable Wrench

Item #	Parts List	Qty
1	Plate	4
2	Cap Screw	8
3	Locknut	8
4	Allen Key	1

Assembly:

1. Attach expansion plates according to drawing above to add a second SUP rack to Wall Mount or Free-Standing rack.

Guarantee

All Suspenz products are guaranteed for one year for materials and workmanship. The guarantee is affective to the original owner and if the product was cared for and used in the manner it was intended. Contact Suspenz directly with any questions.

www.suspenz.com



Suspenz Inc.
8725 Roswell Road #0-220
Atlanta GA 30350
770-518-0045

KAYAK-CANOE
storage racks

Suspenz™