

EZ 2-Boat Rolling Racks

SKU: 30-9222

Updated November 2011

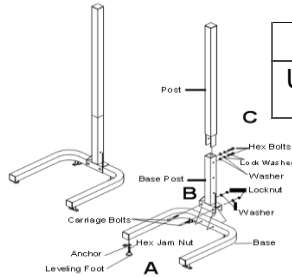
Contains:

- Standard Floor Base with Posts Set (SKU 31-0624)
- Caster Set (SKU 21-0205)
- Cross-Bar (SKU 21-0101)
- 2 EZ Racks for Free-Standing System (SKU 30-0999)

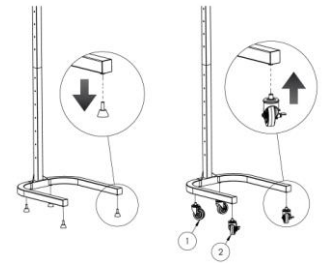
Contains:

- 1 Set of EZ Racks (SKU 12-9903)
- 1 Set of Universal Free-Standing Brackets (SKU 31-5501)

Box #1



Standard Floor Base with Posts Set	Qty
Use Instruction Sheet in Box	1



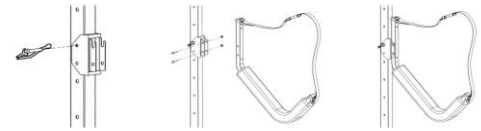
Box #2

Caster Set	Qty
Use Instruction Sheet in Box	8



Box #3

Cross-Bar	Qty
Use Instruction Sheet in Box	1



Box #4 & #5

EZ Rack Arms	Qty
Use Instruction Sheet in Box	4

Assembly Box #1:

Use Standard Floor Base with Posts Set (sku 31-0624) instruction sheet in box to assemble.

Assembly Box #2:

Use Caster Set (sku 21-0205) instruction sheet in box to assemble.

Assembly Box #3:

Use Cross-Bar (sku 21-0101) instruction sheet in box to assemble.

Assembly Box #4 & #5:

Use EZ Racks for Free-Standing System (sku 30-0999) instruction sheet in box to assemble.

Guarantee

All Suspenz products are guaranteed for one year for materials and workmanship. The guarantee is affective to the original owner and if the product was cared for and used in the manner it was intended. Contact Suspenz directly with any questions.

www.suspenz.com



Suspenz Inc.
 8725 Roswell Road #0-220
 Atlanta GA 30350
 770-518-0045

**KAYAK-CANOE
storage racks**

Suspenz™

Standard Floor Base with Post Set

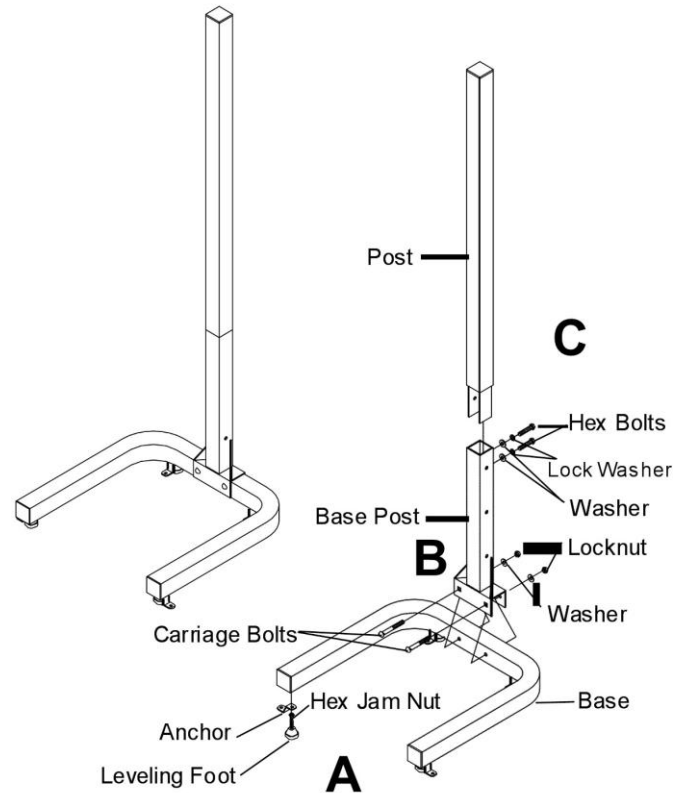
To be used with SUP racks, EZ racks and/or the Deluxe Racks

SKU 31-0624

Updated October 2011

Suspenz, Inc. Spacing Chart©

Boat Length	Ideal Tower Spacing (40%)	Min/Max spacing for each kayak (35% / 50%)
8'	3' 2"	2' 10" / 4'
8' 6"	3' 5"	3' / 4' 3"
9'	3' 7"	3' 2" / 4' 6"
9' 6"	3' 10"	3' 4" / 4' 9"
10'	4'	3' 6" / 5'
10' 6"	4' 2"	3' 8" / 5' 3"
11'	4' 5"	3' 10" / 5' 6"
11' 6"	4' 7"	4' / 5' 9"
12'	4' 10"	4' 2" / 6'
12' 6"	5'	4' 5" / 6' 3"
13'	5' 2"	4' 7" / 6' 6"
13' 6"	5' 5"	4' 9" / 6' 9"
14'	5' 7"	4' 11" / 7'
14' 6"	5' 10"	5' 1" / 7' 3"
15'	6'	5' 3" / 7' 6"
15' 6"	6' 2"	5' 5" / 7' 9"
16'	6' 5"	5' 7" / 8'
16' 6"	6' 7"	5' 9" / 8' 3"
17'	6' 10"	5' 11" / 8' 6"
17' 6"	7'	6' 2" / 8' 9"
18'	7' 2"	6' 4" / 9'
18' 6"	7' 5"	6' 6" / 9' 3"
19'	7' 7"	6' 8" / 9' 6"
19' 6"	7' 10"	6' 10" / 9' 9"
20'	8'	7' / 10'
20' 6"	8' 2"	7' 2" / 10' 3"
21'	8' 5"	7' 4" / 10' 6"
21' 6"	8' 7"	7' 6" / 10' 9"
22'	8' 10"	7' 8" / 11'
22' 6"	9'	7' 11" / 11' 3"



Item #	Parts List	Qty
1	Yellow Base	2
2	Yellow Base Post	2
3	Yellow Post	2
4	Leveling Foot	8
5	Anchor	8
6	Carriage Bolt	4
7	Washer	8
8	Lock Nut	4
9	Hex Bolt	4
10	Lock Washer	4
11	Hex Jam Nut	16

Tools Required:

- Adjustable Wrench
- Tape Measure

Assembly:

- Follow the assembly procedure in order of A-B-C
- Use the Spacing Chart above to determine the distance between each floor base.

Guarantee

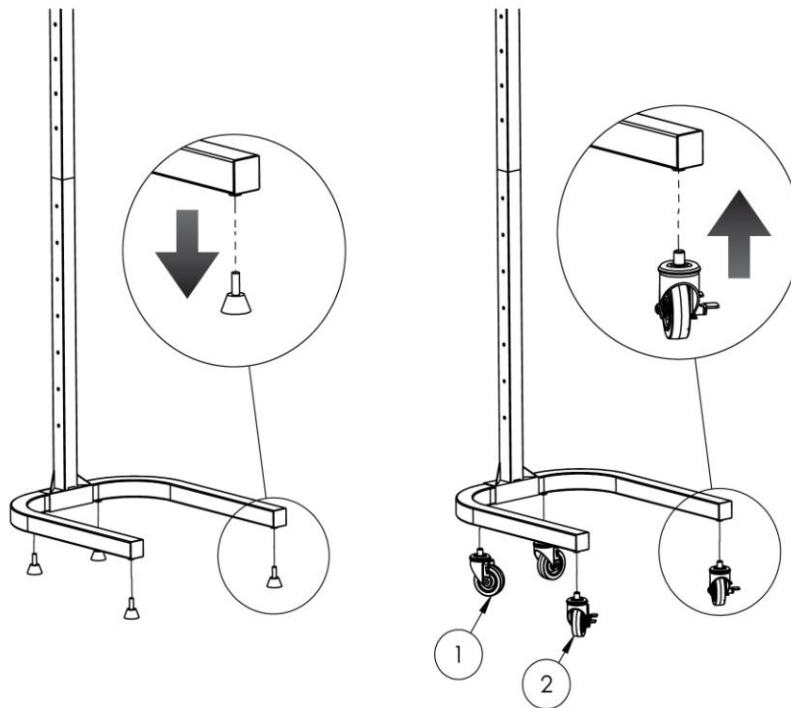
All Suspenz products are guaranteed for one year for materials and workmanship. The guarantee is affective to the original owner and if the product was cared for and used in the manner it was intended. Contact Suspenz directly with any questions.



Caster Set for Free-Standing Racks

SKU 21-0205

Updated October 2011



Item #	Parts List	Qty
1	Non-Locking	4
2	Locking Caster	4

Assembly:

1. Lay the towers on their sides giving easy access to the leveling feet.
2. Unscrew and remove leveling feet, anchors & hex nuts.
3. Replace with the Locking (2) & Non-locking (2) casters per base.
4. Install the locking casters in an easy location for you to reach them with your feet. This will most probably be on the front side of the base.

NOTE: The Suspenz Cross Bar (SKU #21-0101) must be used with these casters so that the two Free-Standing Towers will move together with stability.

Guarantee

All Suspenz products are guaranteed for one year for materials and workmanship. The guarantee is affective to the original owner and if the product was cared for and used in the manner it was intended. Contact Suspenz directly with any questions.

www.suspenz.com



Suspenz Inc.
8725 Roswell Road #0-220
Atlanta GA 30350
770-518-0045

KAYAK-CANOE
storage racks

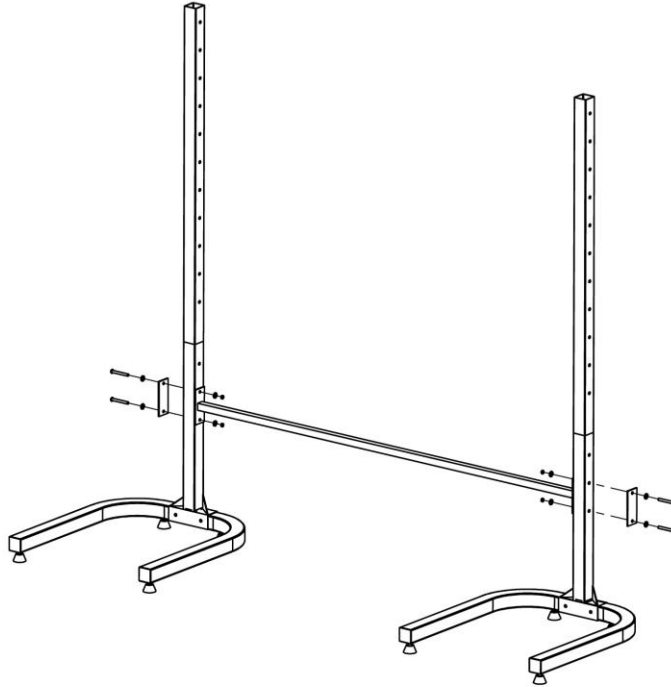
SuspenzTM

Cross-Bar

For use with Free-Standing Towers

SKU: 21-0101

Updated October 2011



Item #	Parts List	Qty
1	Cross-Bar	1
2	Flat Washers	8
3	Bolts	4
4	Nuts	4
5	Plates	2

Tools required:

1. Adjustable Wrenches

Assembly:

Attach Cross-Bar and Plates per drawing above. It can be moved to different locations along the vertical posts based on where the rack attachments are placed. The lower the cross-bar is to the base, the more stable it will be when using casters.

Use:

This Cross-Bar is an **option** for the Suspenz Free-Standing Rack in either the 2-Boat or the 3-Boat configuration. It will give the rack additional stability in situations where unusual hull shapes can spread the towers apart.

The Cross-Bar is a **mandatory** safety feature when casters (SKU 21-0205) are used to give the racks easy rolling mobility.

Guarantee

All Suspenz products are guaranteed for one year for materials and workmanship. The guarantee is affective to the original owner and if the product was cared for and used in the manner it was intended. Contact Suspenz directly with any questions.

www.suspenz.com



Suspenz Inc.
8725 Roswell Road #0-220
Atlanta GA 30350
770-518-0045

KAYAK-CANOE
storage racks
suspenzTM

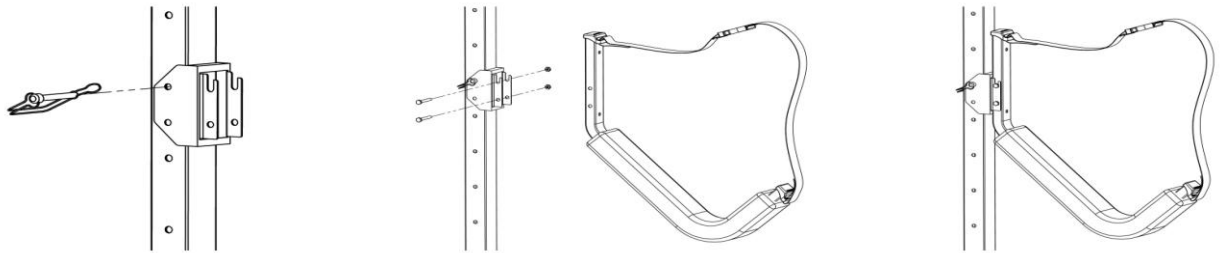
EZ Racks for Free-Standing System

SKU 30-0999

Updated Nov. 2011

Contains:

- 1 Set of EZ Racks (SKU 12-9903)
- 1 Set of Universal Free-Standing Brackets (SKU 31-5501)



Box #1

EZ Racks	Qty
Use Instruction Sheet in Box	2

Packed Inside Box #1

Universal Free-Standing Brackets	Qty
Use Instruction Sheet in Box	2

Tools Required:

1. 2 Adjustable Wrenches
2. Tape Measure

Assembly:

Attach the brackets according to drawing above.

Guarantee

All Suspenz products are guaranteed for one year for materials and workmanship. The guarantee is affective to the original owner and if the product was cared for and used in the manner it was intended. Contact Suspenz directly with any questions.

