



Axle Types

2300-3500 Lbs. Capacity

- Complete service manual
- Precision machined steel spindles and integral cast iron hub/drums
- Press-in wheel studs
- 10" x 1½" and 10" x 2¼" CSA approved electric brakes, CSA approved uni-servo and free backing hydraulic brakes
- Electric and hydraulic brakes are available with and without parking feature
- Hydraulic free backing brakes available
- Hydraulic disc brakes available
- Standard grease lubrication; E-Z Lube® option
- Inner wiring system for easier installation and protection of brake wiring



- Totally rubber-cushioned for smooth, quiet, independent ride
- Easy installation with less maintenance
- Less transfer of road shock which insulates cargo from road shocks and vibration
- Rubber cords compounded for maximum dependability and durability
- Load-carrying cross member
- Self-damping action
- Independent wheel suspension system
- 5 year limited warranty on suspension system
- Low profile for maximum road clearance
- Various starting angles to control trailer height
- High and low profile brackets with optional mounting brackets available
- Rubber cushioning eliminates metal-to-metal contact
- Shock absorption provided by the natural hysteresis of rubber
- Single or tandem axle assemblies
- Durable, wear-resistant components

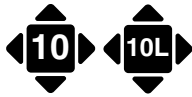
D30 & D35 LEAF SPRING



- Straight or Drop spindles (4" and 6" drop)
- High strength 2⅝" diameter tube
- High quality alloy steel springs in a variety of capacities
- Single, tandem, or triple axle assemblies with equalized suspensions
- Slipper spring or double eye leaf spring suspension
- Optional hanger and attaching parts kits available
- Durable, wear-resistant components
- 2 year limited warranty

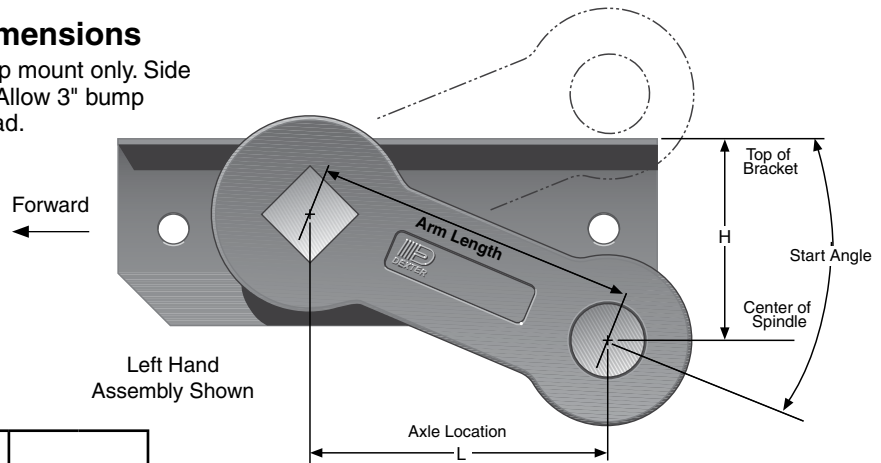


CAUTION: Triple axle assemblies are NOT recommended for Torflex® axles.



Articulation Dimensions

Dimensions are for top mount only. Side mount is .18" higher. Allow 3" bump clearance from full load.



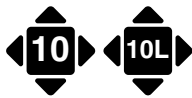
Left Hand Assembly Shown

Start Angle	Bracket Profile	No Load		Full Load		Shock Load	
		H	L	H	L	H	L
45° Down	Low	5.73	4.24	3.79	5.54	2.79	5.86
	High	6.55	4.24	4.61	5.54	3.61	5.86
22.5° Down	Low	3.79	5.54	1.49	6.00	0.45	5.91
	High	4.61	5.54	2.31	6.00	1.27	5.91
10° Down	Low	2.53	5.91	0.19	5.86	-0.81	5.54
	High	3.35	5.91	1.01	5.86	0.01	5.54
0°	Low	1.49	6.00	-0.81	5.54	-1.73	5.06
	High	2.31	6.00	0.01	5.54	-0.91	5.06
10° Up	Low	0.45	5.91	-1.73	5.06	-2.56	4.42
	High	1.27	5.91	-0.91	5.06	-1.74	4.42
22.5° Up	Low	-0.81	5.54	-2.75	4.24	-3.43	3.44
	High	0.01	5.54	-1.93	4.24	-2.60	3.44

#10 Overhang Per Side

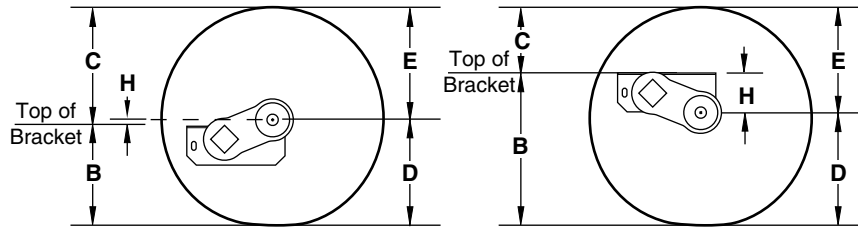
Spindle	Min.	Max.
Standard	6.30"	11.80"
Disc Brake	6.56"	11.80"

Note: Positive numbers in the H column indicate the spindle is BELOW the top of the bracket. Conversely, negative numbers are ABOVE the top of the bracket.



Full Load Dimensions

Dimensions are for low profile, top mount only. High profile brackets are .82" higher. Side mount is .18" higher. Allow 3" bump clearance from full load.



10° Dn, 0°, 10° Up, 22.5° Up

22.5° Dn, 45° DN

Start Angle

Tire	* D	** E	45° Down			22.5° Down			10° Down			0°			10° Up			22.5° Up		
			H	B	C	H	B	C	H	B	C	H	B	C	H	B	C			
ST175/80R13	11.2	12.0	3.8	15.0	8.2	1.5	12.7	10.5	0.2	11.4	11.8	-0.8	10.4	12.8	-1.7	9.5	13.7	-2.8	8.4	14.8
ST205/75R14	12.1	13.1	3.8	15.9	9.3	1.5	13.6	11.6	0.2	12.3	12.9	-0.8	11.3	13.9	-1.7	10.4	14.8	-2.8	9.3	15.9
ST225/75R15	13.0	14.4	3.8	16.8	10.6	1.5	14.5	12.9	0.2	13.2	14.2	-0.8	12.2	15.2	-1.7	11.3	16.1	-2.8	10.2	17.2

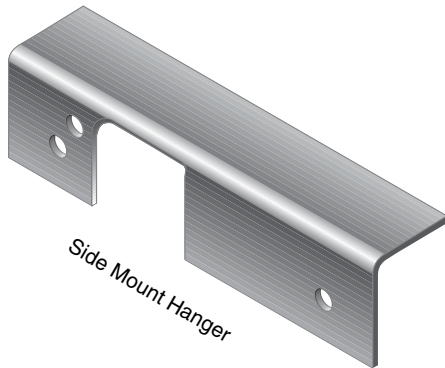
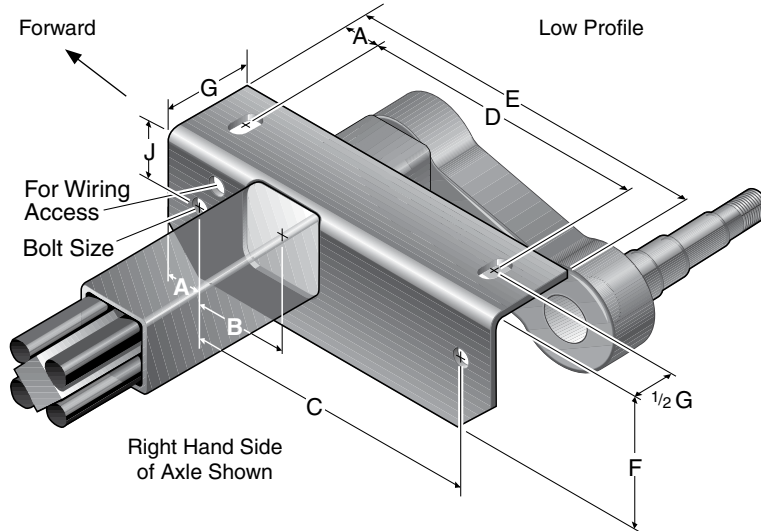
Columns D and E are dimensional examples only:

* D – Static Loaded Radius

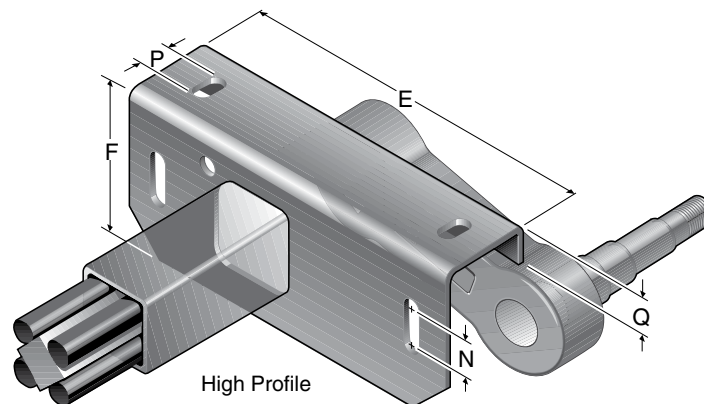
** E – Inflated Radius



10 10L Bracket Dimensions



#10 Bracket Dimensions		
	Low	High
A	1.00	1.00
B	2.50	2.50
C	8.00	8.00
D	8.00	8.00
E	10.00	10.00
F	3.43	4.25
G	2.50	2.50
J	1.62	1.62
N	----	1.03
P	----	1.00
Q	----	1.00
Bolt Size	5/8" bolt	
Tube Size	2.62	2.62



Leaf Spring Application Information



Double Eye Springs

For Standard 33" Axle Spacing
 Single A/P-122-00
 Tandem A/P-233-00
 Triple A/P-335-00

	Spring Length		
	21"	24"	26"
A	19.62	23.50	25.75
B	25.00	27.50	29.50
C	28.75	31.00	33.00
D	10.62	12.00	13.00
E	28.75	31.00	33.00

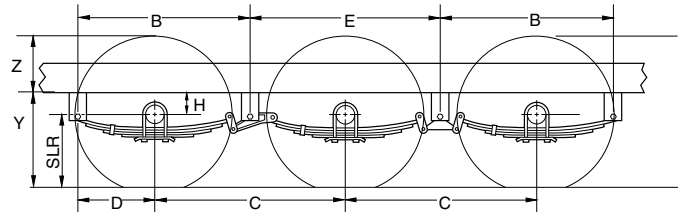
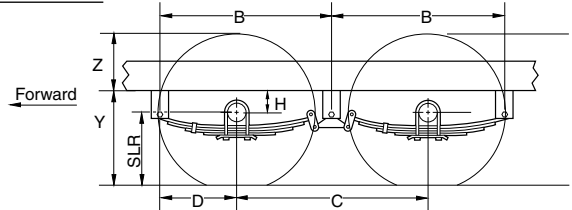
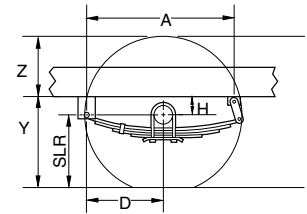
For Optional 35" Axle Spacing
 Tandem A/P-264-00
 Triple A/P-364-00

	Spring Length		
	21"	24"	26"
B	26.00	28.50	30.50
C	30.80	33.00	35.00
D	10.62	12.00	13.00
E	30.80	33.00	35.00

D35 Overhang Per Side

	Min.	Disc.*	Max.
Straight	5.62"	7.5"	9.00"
4" Drop	7.00"	7.5"	9.00"
6" Drop	7.87"	7.87"	9.00"
3" Dia. Str.	5.62"	7.5"	11.50"
3" Dia. Drop	7.00"	7.5"	11.50"
Nev-R-Lube®	5.31"	----	9.00"

* Minimum overhang with disc brakes



Double Eye Axle Assemblies

Hanger Kits

Part No.	Description	Height	Quantity Per Kit				
			HGR-104-00	HGR-105-00	HGR-248-00	HGR-249-00	HGR-348-00
028-005-00	Hanger	3.25"	2	----	4	2	4
028-006-00	Front Hanger	1.44"	----	2	----	----	----
029-008-00	Front Hanger	2.06"	----	----	----	4	----
029-031-00	Center Hanger	3.62"	----	----	2	----	4
030-020-00	Rear Hanger	.91"	2	2	----	----	----

Attaching Parts Kits

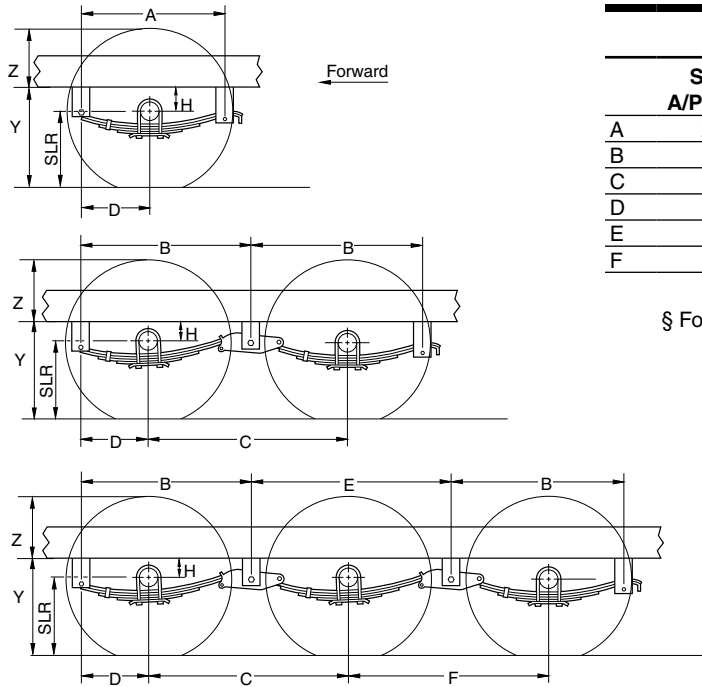
Part No.	Description	A/P-122-00	A/P-233-00	A/P-264-00†	A/P-335-00	A/P-364-00†
		006-092-01	Flange Locknut	6	14	14
007-126-00	Shackle Bolt	2	6	6	10	10
013-104-02	Equalizer	----	2	----	2	----
013-105-02	Equalizer	----	----	----	2	----
013-122-02	Equalizer	----	----	2	----	2
013-126-02	Equalizer	----	----	----	----	2
018-011-00	Shackle Link	----	4	4	6	6
018-012-00	Shackle Link, Long	2	----	----	----	----
018-020-00	Shackle Link Assembly	----	4	4	6	6
018-021-00	Shackle Link Assembly, Long	2	----	----	----	----

† For 35" axle spacing using 26" springs

Leaf Spring Application Information



2300 - 3500 LBS. CAPACITY



Slipper Springs

	Single	Tandem		Triple	
	A/P-103-00	A/P-202-00 [§]	A/P-216-00 [‡]	A/P-302-00 [§]	A/P-316-00 [‡]
A	24.0	----	----	----	----
B	----	28.8	30.4	28.8	30.4
C	----	33.5	36.0	33.5	36.0
D	11.5	11.5	11.5	11.5	11.5
E	----	----	----	33.0	35.0
F	----	----	----	33.0	35.0

Note: All 2" wide slipper springs
[§] For 33.5" axle spacing [‡] For 36" axle spacing

A, B, E – Hanger Spacing
 C – Axle Spacing
 D – Axle Location
 H – Center of Spindle
 Y – Frame Height
 Z – Top of Tire to Bottom of Frame
 SLR – Static Load Radius

To determine these values, contact your local sales engineer or distributor to run ProSpec™.

Slipper Spring Axle Assemblies

Hanger Kits			Quantity Per Kit		
Part No.	Description	Height	HGR-110-00	HGR-202-00	HGR-302-00
028-001-00	Front Hanger	4.25"	2	2	2
029-001-00	Center Hanger	3.50"	----	2	4
030-028-00	Rear Hanger	4.00"	2	2	2

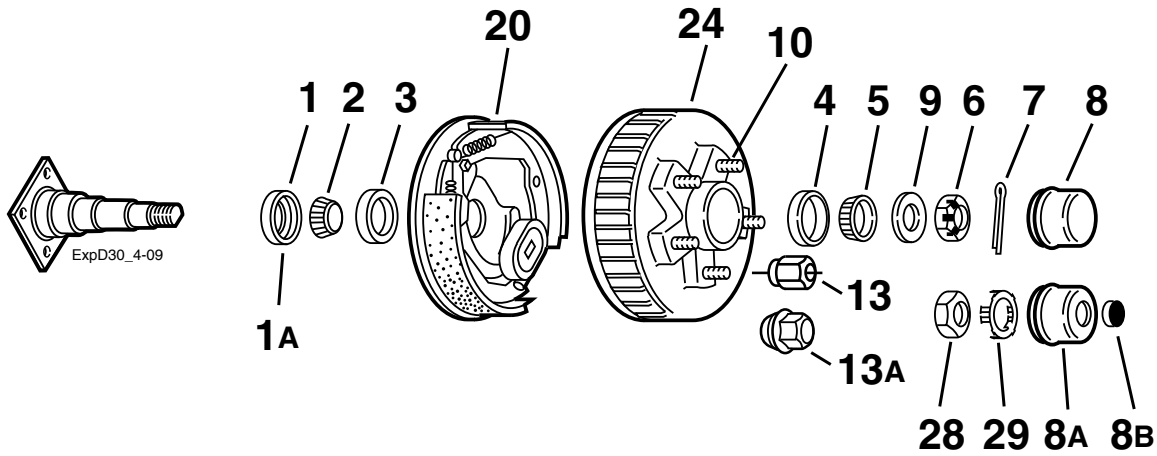
Attaching Parts Kits		A/P-103-00	A/P-202-00 [§]	A/P-216-00 [‡]	A/P-302-00 [§]	A/P-316-00 [‡]
006-007-01	1/16-18 Locknut	2	4	4	6	6
006-011-00	Keeper Nut	2	4	4	6	6
006-111-00	Equalizer Nut	----	2	2	4	4
007-001-01	Equalizer Bolt	----	2	2	4	4
007-007-00	Keeper Bolt	2	4	4	6	6
007-017-00	Spring Eye Bolt	2	4	4	6	6
013-004-00	Equalizer	----	2	----	4	----
013-044-01	Equalizer	----	----	2	----	4

[§] For 33.5" axle spacing

[‡] For 36" axle spacing

Some combinations of hangers and spring mountings may result in insufficient bump clearance. Refer to the Miscellaneous section for additional hanger kits, A/P kits, or other tires..

D30 545 Hub Group



Grease Lube Parts

Item	Part No.	Description
1	010-004-00	Grease Seal
1A	010-019-00	Grease Seal for E-Z Lube®
2	031-032-02	LM67048 Inner Bearing Cone
3	031-032-01	LM67010 Inner Bearing Cup
4	031-031-01	L44610 Outer Bearing Cup
5	031-031-02	L44649 Outer Bearing Cone
6	006-176-00	Spindle Nut
7	019-002-00	Cotter Pin
8	021-003-00	Grease Cap
8A	021-041-01	Grease Cap for E-Z Lube®
8B	085-001-00	Rubber Plug for E-Z Lube®
9	005-023-00	Spindle Washer
28	006-191-00	Special Jam Nut for E-Z Lube® (after 2002)
29	006-190-00	Spindle Nut Retainer for E-Z Lube® (after 2002)

10" x 1½" Brakes

Item	Part No.	Description
20	K23-472-00/K23-473-00	LH/RH Electric

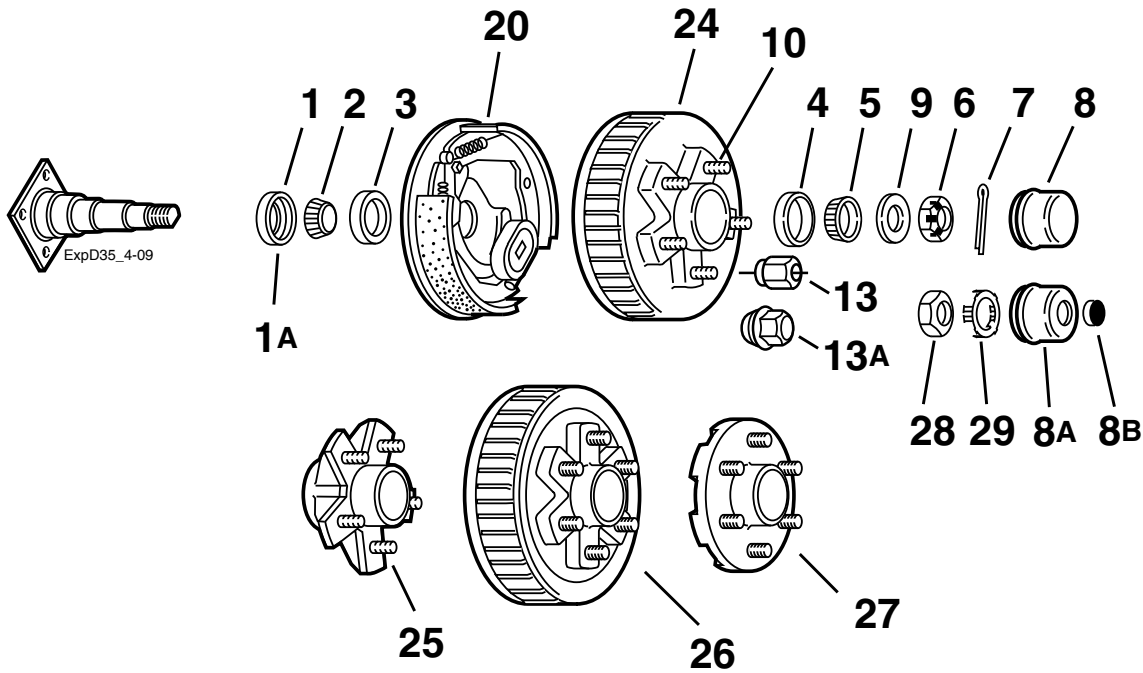
Hubs

Item	Part No.	Description	Bolt Circle
Hubs and Drums			
24	008-418-02	½" Stud	5 on 4.50

Studs & Wheel Nuts

Item	Part No.	Description
10	007-185-00	½-20 Pressed Wheel Stud
13	006-080-00	½-20 60° Cone Nut
13A	006-201-00	½-20 Torq-N-Go™ Two Piece Capped Wheel Nut
ns	006-200-00	½-20 Torq-N-Go™ Two Piece Uncapped Wheel Nut

ns - not shown



Grease Lube Parts

Item	Part No.	Description
1	010-004-00	Grease Seal
1A	010-019-00	Grease Seal for E-Z Lube®
2	031-033-02	L68149 Inner Bearing Cone
3	031-033-01	L68111 Inner Bearing Cup
4	031-031-01	L44610 Outer Bearing Cone
5	031-031-02	L44649 Outer Bearing Cone
6	006-176-00	Spindle Nut
7	019-002-00	Cotter Pin
8	021-003-00	Grease Cap
8A	021-041-01	Grease Cap for E-Z Lube®
8B	085-001-00	Rubber Plug for E-Z Lube®
9	005-023-00	Spindle Washer
28	006-191-00	Special Jam Nut for E-Z Lube® (after 2002)
29	006-190-00	Spindle Nut Retainer for E-Z Lube® (after 2002)

10" x 2¼" Brakes

Item	Part No.	Description
ns	K23-468-00/K23-469-00	LH/RH Electric Nev-R-Adjust®
20	K23-026-00/K23-027-00	LH/RH Electric
ns	K23-086-00/K23-087-00	LH/RH Electric w/park
ns	K23-312-00/K23-313-00	LH/RH Hydraulic Uni-servo
ns	K23-330-00/K23-331-00	LH/RH Hydraulic Uni-servo w/park
ns	K23-310-00/K23-311-00	LH/RH Hydraulic Duo-servo
ns	K23-400-00/K23-401-00	LH/RH Hydraulic Duo-servo w/park
ns	K23-344-00/K23-345-00	LH/RH Hydraulic Free Backing
ns	K23-344-01/K23-345-01	LH/RH Hydraulic FB Corrosion Resistant

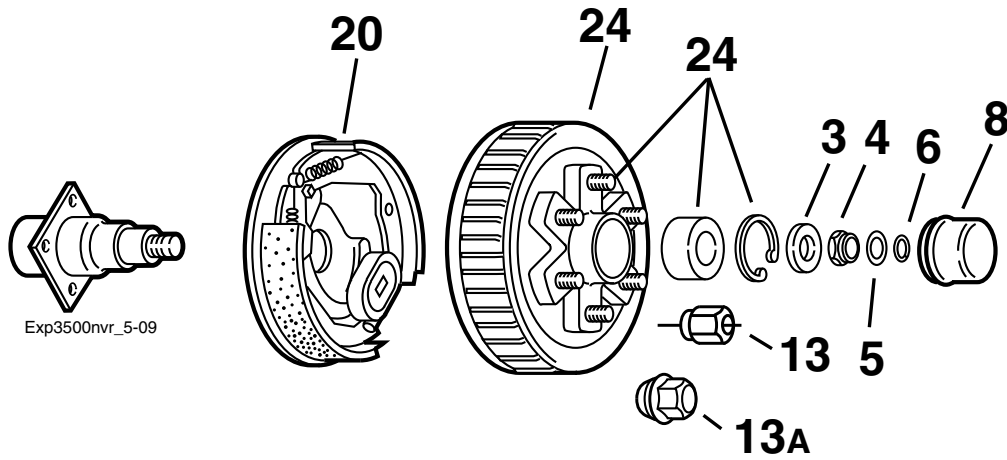
ns - not shown

Hubs

Item	Part No.	Description	Bolt Circle
Hubs and Drums			
24	008-247-05	½" Stud	5 on 4.50
24	008-249-07	½" Stud	5 on 5.00
24	008-249-05	½" Stud	5 on 5.50
24	008-247-12	½" Stud	5 on 4.75
26	008-250-05	½" Stud	6 on 5.50
Plain Hubs			
25	008-248-05	½" Stud	5 on 4.50
25	008-248-10	½" Stud	5 on 4.75
25	008-256-07	½" Stud	5 on 5.00
25	008-256-05	½" Stud	5 on 5.50
27	008-251-05	½" Stud	6 on 5.50

Studs & Wheel Nuts

Item	Part No.	Description
10	007-122-00	½-20 Pressed Wheel Stud
13	006-080-00	½-20 60° Cone Nut
13A	006-201-00	½-20 Torq-N-Go™ Two Piece Capped Wheel Nut
ns	006-200-00	½-20 Torq-N-Go™ Two Piece Uncapped Wheel Nut



Nev-R-Lube® Parts 35MM

Item	Part No.	Description
3	005-150-00	Spindle Washer
4	006-183-00	Spindle Nut
5	092-002-00	Washer, Torque Label
6	069-096-00	Snap Ring
8	021-084-00	Grease Cap

Hubs With Bearing & Wheel Studs

Item	Part No.	Description	Bolt Circle
24	008-386-80	Hub and Drum includes: 007-185-00 1/2-20 Press-in Stud 031-072-03 35mm Cartridge Bearing 069-094-00 Bearing Retainer	6 on 5.50

10" x 2 1/4" Brakes

Item	Part No.	Description
ns	K23-468-00/K23-469-00	LH/RH Electric Nev-R-Adjust®
20	K23-026-00/K23-027-00	LH/RH Electric
ns	K23-086-00/K23-087-00	LH/RH Electric w/park
ns	K23-312-00/K23-313-00	LH/RH Hydraulic Uni-servo
ns	K23-330-00/K23-331-00	LH/RH Hydraulic Uni-servo w/park
ns	K23-310-00/K23-311-00	LH/RH Hydraulic Duo-servo
ns	K23-400-00/K23-401-00	LH/RH Hydraulic Duo-servo w/park
ns	K23-344-00/K23-345-00	LH/RH Hydraulic Free Backing
ns	K23-344-01/K23-345-01	LH/RH Hydraulic FB Corrosion Resistant

ns - not shown

Wheel Nuts

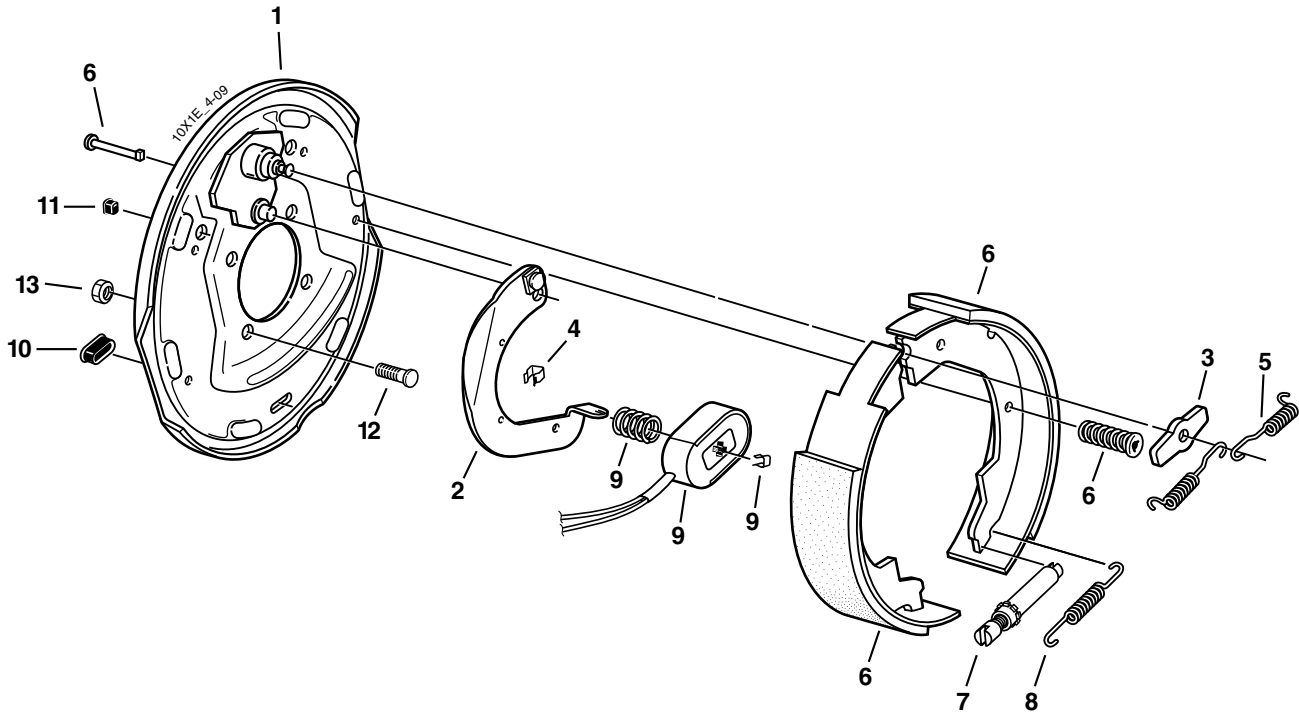
Item	Part No.	Description
13A	006-201-00	1/2-20 Torq-N-Go™ Two Piece Capped Wheel Nut
ns	006-200-00	1/2-20 Torq-N-Go™ Two Piece Uncapped Wheel Nut
13	006-080-00	1/2-20 60° Cone Nut

10" x 1½" Electric Brake



CSA approved at 3000#/12.6 SLR

2300 - 3500 LBS. CAPACITY



Electric Brake

Item	Part No.	Qty/Brk	Description
0	K23-472-00	1	LH Complete Brake Assembly (shown)
0	K23-473-00	1	RH Complete Brake Assembly
1	036-134-03	1	Backing Plate Assembly
2	047-019-05	1	LH Actuating Lever Arm
2	047-020-05	1	RH Actuating Lever Arm
3	005-067-00	1	Washer
4	027-005-00	2	Wire Clip
5	046-009-00	2	Retractor Spring
6	K71-046-00	1	Shoe & Lining Kit Contains: 2 #035-001-00 Shoe Hold Down Cup 1 #040-129-00 Primary Shoe & Lining 1 #040-130-00 Secondary Shoe & Lining 2 #046-006-00 Shoe Hold Down Spring 2 #049-009-00 Shoe Hold Down Pin "T"
7	043-004-00	1	Adjuster Assembly
8	046-018-00	1	Adjusting Screw Spring
9	K71-104-00	1	Magnet Kit Contains: 1 #042-140-00 Magnet (green wire) 1 #027-009-00 Magnet Clip 1 #046-080-00 Magnet Spring
10	046-007-00	2	Adjuster Slot Plug
11	046-016-00	1	Wire Grommet
12	007-041-00	4	Brake Mounting Bolt - Press-in
*13	006-017-00	4	Brake Mounting Nut

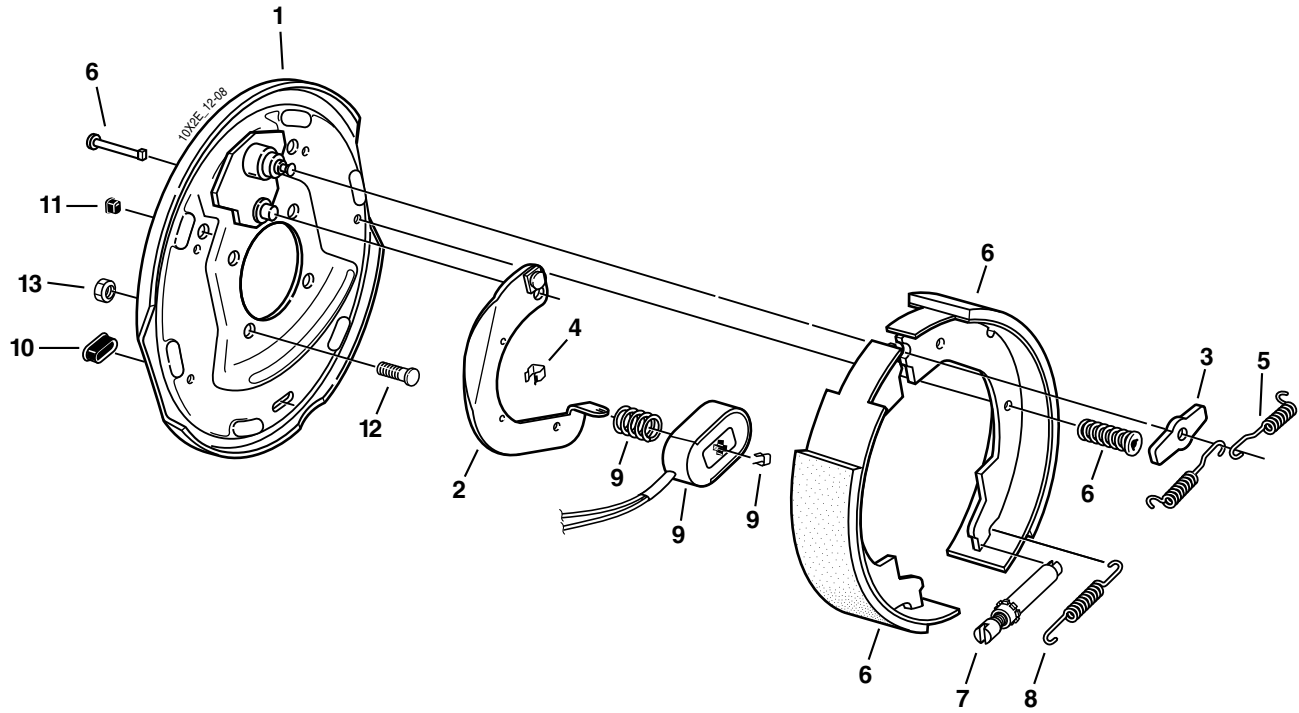
* Not included with complete brake assembly. Item sold separately.

10" x 2¼" Electric Brake



CSA approved at 3500#/13.3 SLR

2300 - 3500 LBS. CAPACITY



Electric Brake

Item	Part No.	Qty/Brk	Description
0	K23-026-00	1	LH Complete Brake Assembly (shown)
0	K23-027-00	1	RH Complete Brake Assembly
1	036-019-10	1	Backing Plate Assembly
2	047-019-05	1	LH Actuating Lever Arm
2	047-020-05	1	RH Actuating Lever Arm
3	005-067-00	1	Washer
4	027-005-00	2	Wire Clip
5	046-009-00	2	Retractor Spring
6	K71-047-00	1	Shoe & Lining Kit Contains: 1 #040-017-00 Primary Shoe & Lining 1 #040-021-00 Secondary Shoe & Lining 2 #049-002-00 Shoe Hold Down Pin #8 2 #046-077-00 Shoe Hold Down Spring & Cup
7	043-004-00	1	Adjuster Assembly
8	046-018-00	1	Adjusting Screw Spring
9	K71-104-00	1	Magnet Kit Contains: 1 #042-140-00 Magnet (green wire) 1 #027-009-00 Magnet Clip 1 #046-080-00 Magnet Spring
10	046-007-00	2	Adjuster Slot Plug
11	046-016-00	1	Wire Grommet
12	007-041-00	4	Brake Mounting Bolt - Press-in
*13	006-017-00	4	Brake Mounting Nut

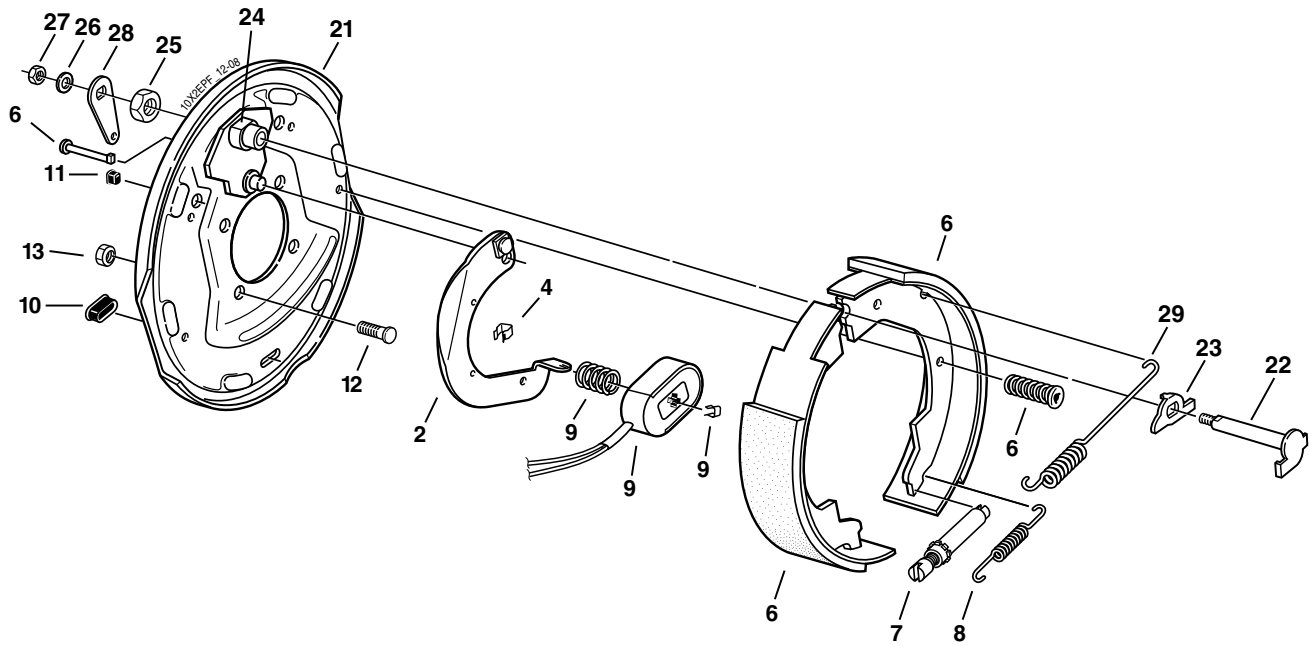
* Not included with complete brake assembly. Item sold separately.

10" x 2¼" Electric Brake With Parking Feature



CSA approved at 3500#/13.3 SLR

2300 - 3500 LBS. CAPACITY



Electric Parking Brake

Item	Part No.	Qty/Brk	Description
0	K23-086-00	1	LH Complete Brake Assembly (shown)
0	K23-087-00	1	RH Complete Brake Assembly
2	047-019-05	1	LH Actuating Lever Arm
2	047-020-05	1	RH Actuating Lever Arm
4	027-005-00	3	Wire Clip
6	K71-047-00	1	Shoe & Lining Kit Contains: 1 #040-017-00 Primary Shoe & Lining 1 #040-021-00 Secondary Shoe & Lining 2 #049-002-00 Shoe Hold Down Pin #8 2 #046-077-00 Shoe Hold Down Spring & Cup
7	043-004-00	1	Adjuster Assembly
8	046-018-00	1	Adjusting Screw Spring
9	K71-104-00	1	Magnet Kit Contains: 1 #042-140-00 Magnet (green wire) 1 #027-009-00 Magnet Clip 1 #046-080-00 Magnet Spring
10	046-007-00	2	Adjuster Slot Plug
11	046-016-00	1	Wire Grommet
12	007-041-00	4	Brake Mounting Bolt - Press-in
*13	006-017-00	4	Brake Mounting Nut
21	036-019-07	1	LH Backing Plate Assembly (includes items #12, 22-28)
21	036-019-08	1	RH Backing Plate Assembly (includes items #12, 22-28)
22	039-025-00	1	LH Pivot Pin & Cam Sub-Assembly
22	039-026-00	1	LH Pivot Pin & Cam Sub-Assembly
23	039-048-00	1	LH Actuating Cam
23	039-049-00	1	RH Actuating Cam
24	038-047-00	1	Anchor Post & Bushing Assembly
25	006-047-00	1	Anchor Post Locknut
26	005-041-00	1	Washer
27	006-011-00	1	Pivot Pin Locknut
28	047-070-00	1	Actuating Lever
29	046-056-00	1	Retractor Spring

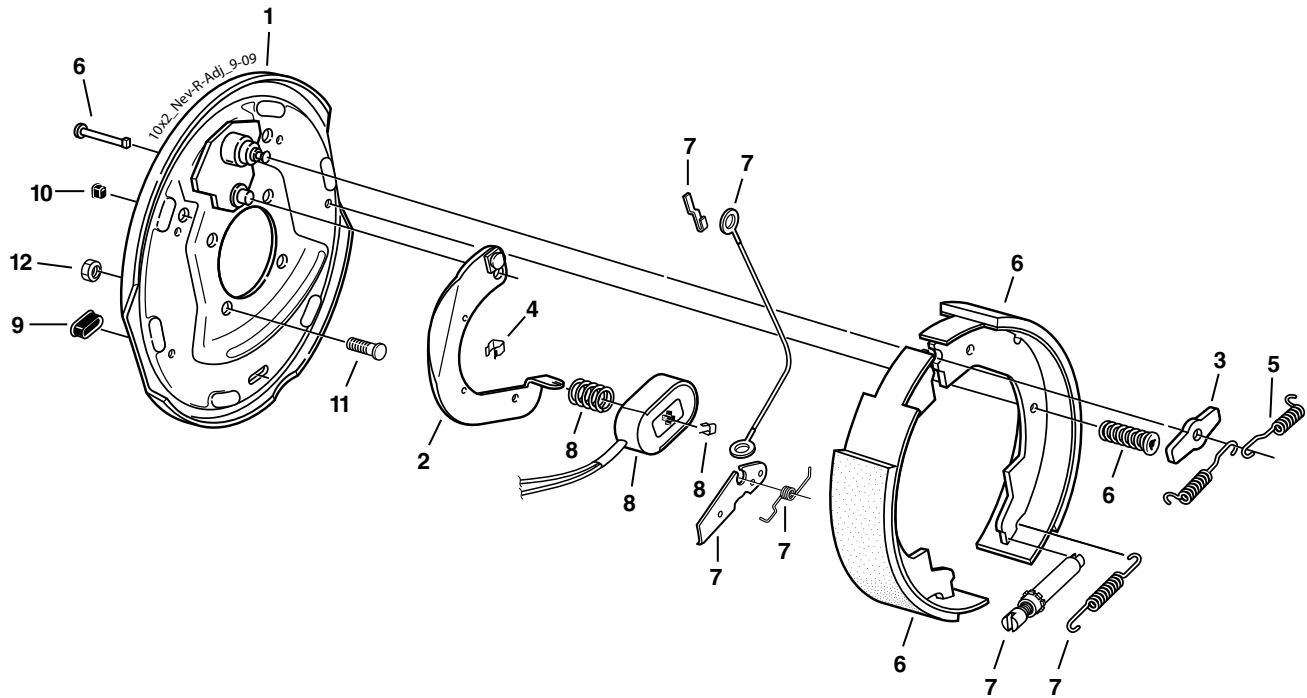
* Not included with complete brake assembly. Item sold separately.

10" x 2¼" Nev-R-Adjust® Electric Brake



CSA approved at 3500#/13.3 SLR

2300 - 3500 LBS. CAPACITY



Electric Brake

Item	Part No.	Qty/Brk	Description
0	K23-468-00	1	LH Complete Brake Assembly (shown)
0	K23-469-00	1	RH Complete Brake Assembly
1	036-019-10	1	Backing Plate Assembly
2	047-019-05	1	LH Actuating Lever Arm
2	047-020-05	1	RH Actuating Lever Arm
3	005-067-00	1	Washer
4	027-005-00	2	Wire Clip
5	046-009-00	2	Retractor Spring
6	K71-681-00	1	LH Shoe & Lining Kit Contains: 1 #040-367-00 Primary Shoe & Lining 1 #040-368-01 Secondary Shoe & Lining 2 #049-002-00 Shoe Hold Down Pin #8 2 #046-077-00 Shoe Hold Down Spring & Cup
6	K71-682-00	1	RH Shoe & Lining Kit Contains: 1 #040-367-00 Primary Shoe & Lining 1 #040-368-02 Secondary Shoe & Lining 2 #049-002-00 Shoe Hold Down Pin #8 2 #046-077-00 Shoe Hold Down Spring & Cup
7	K71-680-00	1	LH & RH Brake Adjuster Kit Contains: 1 #048-022-00 LH Adjuster Assembly 1 #048-023-00 RH Adjuster Assembly 2 #046-139-00 Adjusting Screw Spring 1 #046-140-00 LH Lever Spring 1 #046-141-00 RH Lever Spring 2 #071-529-00 Hook for Cable 1 #071-532-01 LH Adjusting Lever 1 #071-532-02 RH Adjusting Lever 2 #071-533-00 Adjuster Cable
8	K71-104-00	1	Magnet Kit Contains: 1 #042-140-00 Magnet (green wire) 1 #027-009-00 Magnet Clip 1 #046-080-00 Magnet Spring
9	046-007-00	2	Adjuster Slot Plug
10	046-016-00	1	Wire Grommet
11	007-041-00	4	Brake Mounting Bolt - Press-in
*12	006-017-00	4	Brake Mounting Nut

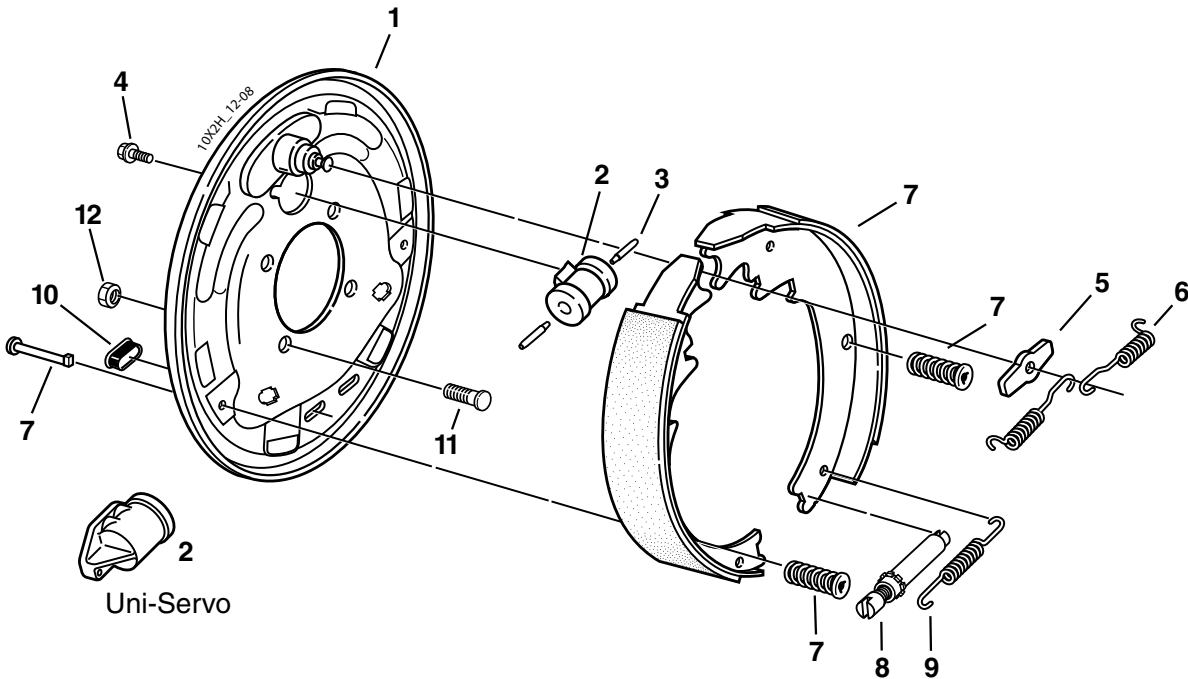
* Not included with complete brake assembly. Item sold separately.

10" x 2¼" Hydraulic Brake



CSA approved at 3500#/14.0 SLR; Uni-Servo

2300 - 3500 LBS. CAPACITY



Note: Uni-Servo brakes to be used with surge actuator

Hydraulic Brake

Item	Part No.	Qty/Brk	Description
0	K23-310-00	1	LH Complete Brake Assembly-DS
0	K23-311-00	1	RH Complete Brake Assembly-DS
0	K23-312-00	1	LH Complete Brake Assembly-US
0	K23-313-00	1	RH Complete Brake Assembly-US (shown)
1	036-094-03	1	Backing Plate Assembly (includes item #11)
2	054-062-00	1	LH Brake Cylinder Duo-Servo
2	054-063-00	1	RH Brake Cylinder Duo-Servo
2	054-064-00	1	LH Brake Cylinder Uni-Servo
2	054-065-00	1	RH Brake Cylinder Uni-Servo
3	054-060-00	1 or 2	Cylinder Push Rod US (1) DS (2)
4	087-001-00	2	Sems (screw & washer assembly)
5	005-113-00	1	Anchor Post Washer
6	046-009-00	2	Retractor Spring
7	K71-267-00	1	Shoe & Lining Kit Contains: 1 #040-210-00 Primary Shoe & Lining 1 #040-211-00 Secondary Shoe & Lining 2 #046-077-00 Shoe Hold Down Spring & Cup 2 #049-002-00 Shoe Hold Down Pin #8
8	043-004-00	1	Adjuster Assembly
9	046-018-00	1	Adjusting Screw Spring
10	046-007-00	1	Adjuster Slot Plug
11	007-041-00	4	Brake Mounting Bolt - Press-in
*12	006-017-00	4	Brake Mounting Nut
ns	054-089-00	1	Bleeder Screw (included with item #2)

ns - not shown

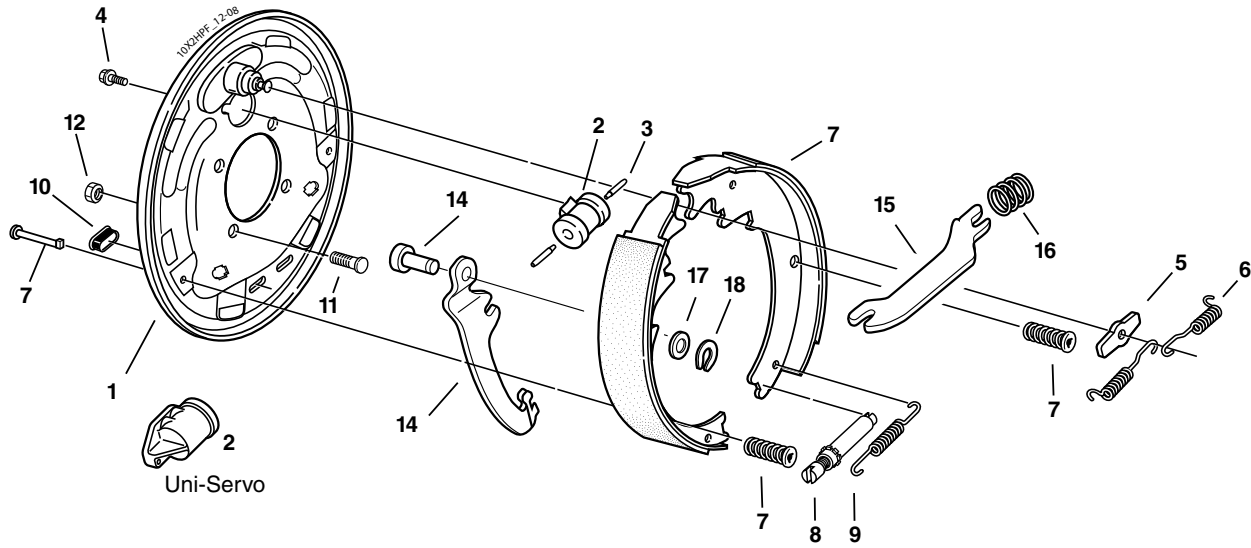
* Not included with complete brake assembly. Item sold separately.

10" x 2¼" Hydraulic Brake With Parking Feature



CSA approved at 3500#/14.0 SLR; Uni-Servo

2300 - 3500 LBS. CAPACITY



Note: Uni-Servo brakes to be used with surge actuator

Hydraulic Parking Brake

Item	Part No.	Qty/Brk	Description
0	K23-330-00	1	LH Complete Brake Assembly-w/park-US
0	K23-331-00	1	RH Complete Brake Assembly-w/park-US (shown)
0	K23-400-00	1	LH Complete Brake Assembly-w/park-DS
0	K23-401-00	1	RH Complete Brake Assembly-w/park-DS (shown)
1	036-094-03	1	Backing Plate Assembly (includes item #11)
2	054-064-00	1	LH Brake Cylinder Uni-Servo
2	054-065-00	1	RH Brake Cylinder Uni-Servo
2	054-062-00	1	LH Brake Cylinder Duo-Servo
2	054-063-00	1	RH Brake Cylinder Duo-Servo
3	054-060-00	1 or 2	Cylinder Push Rod US (1) DS (2)
4	087-001-00	2	Sems (screw & washer assembly)
5	005-113-00	1	Anchor Post Washer
6	046-009-00	2	Retractor Spring
7	K71-267-00	1	Shoe & Lining Kit Contains: 1 #040-210-00 Primary Shoe & Lining 1 #040-211-00 Secondary Shoe & Lining 2 #046-077-00 Shoe Hold Down Spring & Cup 2 #049-002-00 Shoe Hold Down Pin #8
8	043-004-00	1	Adjuster Assembly
9	046-018-00	1	Adjusting Screw Spring
10	046-007-00	1	Adjuster Slot Plug
11	007-041-00	4	Brake Mounting Bolt - Press-in
*12	006-017-00	4	Brake Mounting Nut
14	047-116-01	1	LH Parking Lever & Pin Assembly
14	047-117-01	1	RH Parking Lever & Pin Assembly
15	047-118-00	1	Parking Strut
16	046-103-00	1	Parking Strut Spring
17	005-112-00	1	Spring Tension Washer
18	069-055-00	1	Retainer
ns	054-089-00	1	Bleeder Screw (included with item #2)
*ns	071-514-00	1	Park Brake Cable

ns - not shown

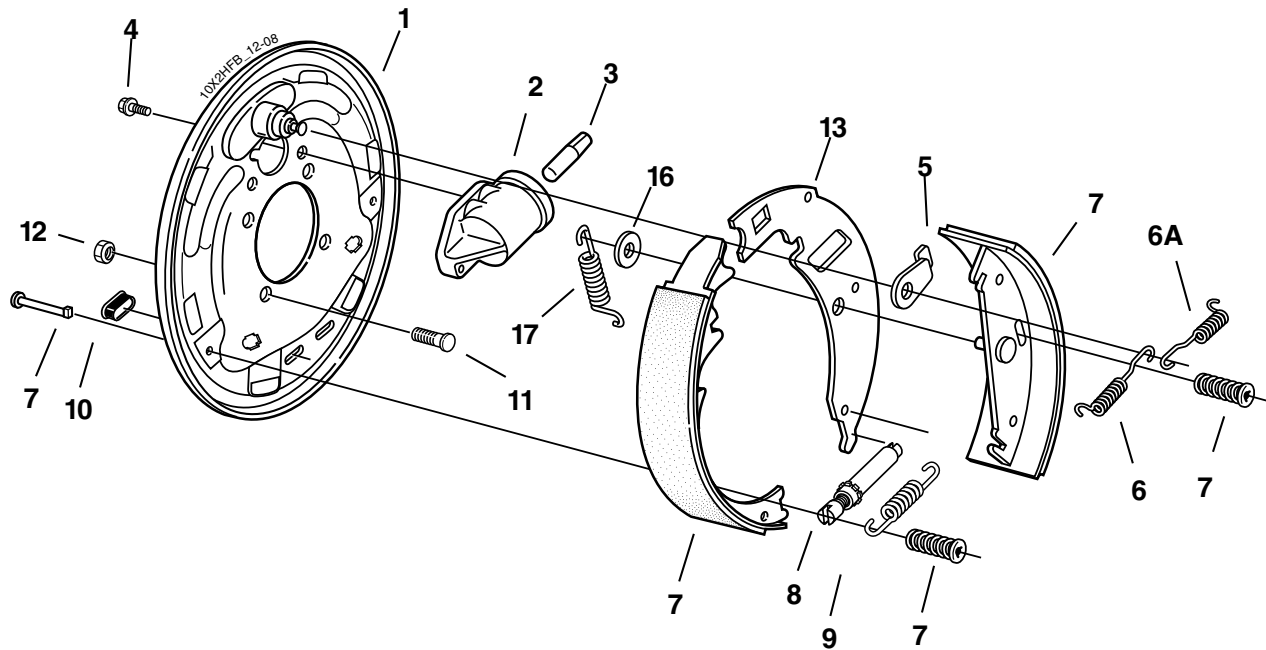
* Not included with complete brake assembly. Item sold separately.

10" x 2¼" Hydraulic Brake Free Backing



CSA approved at 3500#/14.0 SLR; Uni-Servo

2300 - 3500 LBS. CAPACITY



Note: Uni-Servo brakes to be used with surge actuator

Hydraulic Free Backing Brake

Item	Part No.	Qty/Brk	Description
0	K23-344-00	1	LH Complete Brake Assembly-FB
0	K23-345-00	1	RH Complete Brake Assembly-FB (shown)
1	036-094-03	1	Backing Plate Assembly (includes item #11)
2	054-064-00	1	LH Brake Cylinder Uni-Servo
2	054-065-00	1	RH Brake Cylinder Uni-Servo
3	054-060-00	1	Cylinder Push Rod
4	087-001-00	2	Sems (screw & washer assembly)
5	037-069-02	1	Travel Link
6	046-009-00	2	Retractor Spring
6A	046-107-01	1	Shoe Lever Return Spring
7	K71-393-00	1	Shoe & Lining Kit Contains: 1 #040-291-00 Primary Shoe & Lining 1 #040-211-00 Secondary Shoe & Lining 2 #046-077-00 Shoe Hold Down Spring & Cup 2 #049-002-00 Shoe Hold Down Pin #8
8	043-004-00	1	Adjuster Assembly
9	046-083-00	1	Adjusting Screw Spring
10	046-007-00	1	Adjuster Slot Plug
11	007-041-00	4	Brake Mounting Bolt - Press-in
*12	006-017-00	4	Brake Mounting Nut
13	040-240-02	1	Shoe Lever
16	005-064-00	1	Washer
17	046-108-01	1	Primary Shoe Return
ns	054-089-00	1	Bleeder Screw (included with item #2)
*ns	071-514-00	1	Park Brake Cable

ns - not shown

* Not included with complete brake assembly. Item sold separately.

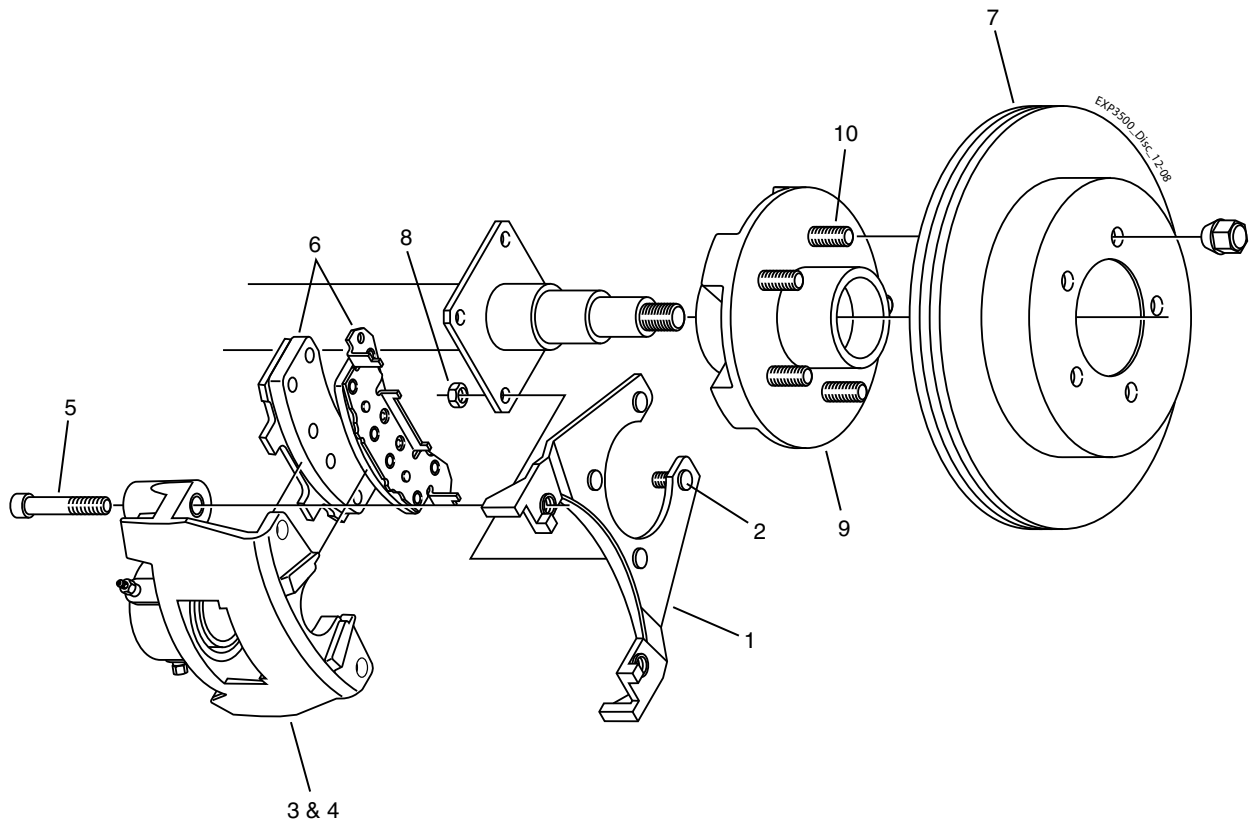
Hydraulic Free Backing Brake Corrosion Resistant

Item	Part No.	Qty/Brk	Description
0	K23-344-01	1	LH Complete Brake Assembly-FB
0	K23-345-01	1	RH Complete Brake Assembly-FB
1	036-094-04	1	Backing Plate Assembly (includes item #11)
2	054-064-01	1	LH Brake Cylinder Uni-Servo
2	054-065-01	1	RH Brake Cylinder Uni-Servo
3	054-060-00	1	Cylinder Push Rod
4	087-001-00	2	Sems (screw & washer assembly)
5	037-069-02	1	Travel Link
6	046-009-01	2	Retractor Spring
6A	046-107-03	1	Shoe Lever Return Spring
7	K71-393-00	1	Shoe & Lining Kit Contains: 1 #040-291-00 Primary Shoe & Lining 1 #040-211-00 Secondary Shoe & Lining 2 #046-077-00 Shoe Hold Down Spring & Cup 2 #049-002-00 Shoe Hold Down Pin #8
8	043-004-02	1	Adjuster Assembly
9	046-083-01	1	Adjusting Screw Spring
10	046-007-00	1	Adjuster Slot Plug
11	007-041-00	4	Brake Mounting Bolt - Press-in
*12	006-017-00	4	Brake Mounting Nut
13	040-240-02	1	Shoe Lever
16	005-064-00	1	Washer
17	046-108-03	1	Primary Shoe Return Spring
ns	054-089-00	1	Bleeder Screw (included with item #2)



Disc Brake for 3,500 Lb. Axles

2300 - 3500 LBS. CAPACITY



Disc Brake 3500#

Item	Part No.	Qty/Brk	Description
1	090-004-01	1	Anchor Yoke Assembly (includes item #2)
2	007-041-00	4	Brake Mounting Bolt - Press-in
3	K71-624-00	1	LH Caliper Assembly Kit (includes items #5, 6)
4	K71-625-00	1	RH Caliper Assembly Kit (shown) (includes items #5, 6)
5	007-256-00	2	Caliper Mounting Bolt
6	K71-623-00	1	Brake Pad Kit (axle set)
7	K71-626-00	1	Rotor Kit
8	006-017-00	4	Yoke Mounting Nut
ns	054-097-00	1	Bleed Screw & Adapter (service part only)

Disc Brake Hubs & Studs

Item	Part No.	Qty/Brk	Description
9	008-248-22	1	1/2" Stud 5 on 4.50
10	007-150-00	5	1/2-20 x 2.09" Wheel Stud
ns	054-095-00	1	Bleeder Screw (included with items #3, 4)

ns - not shown