



General Applications

8000 LBS. CAPACITY



Axle Types

8000 Lbs. Capacity

- Complete service manual
- Precision machined steel spindles and integral cast iron hub/drums
- Standard oil bath lubrication; grease or Nev-R-Lube® option
- Press-in wheel studs, 5/16" or 5/8"
- Hydraulic brakes are available with and without parking feature
- Hydraulic brakes – uni-servo and duo-servo available
- Hydraulic disc brakes available
- 12¼" x 3¾" self adjusting electric and hydraulic brakes
- Inner wiring system for easier installation and protection of brake wiring
- Heavy wall 3½" diameter tube
- Straight or Drop spindles (4" drop only)
- High quality alloy steel springs in a variety of capacities
- Single, tandem or triple axle assemblies with equalized suspensions

D80 LEAF SPRING



- Slipper leaf spring suspension
- Heavy duty suspension parts available
- Optional rubber bushed suspension
- Optional hanger and attaching parts kits available
- Durable, wear-resistant components
- 2 year limited warranty



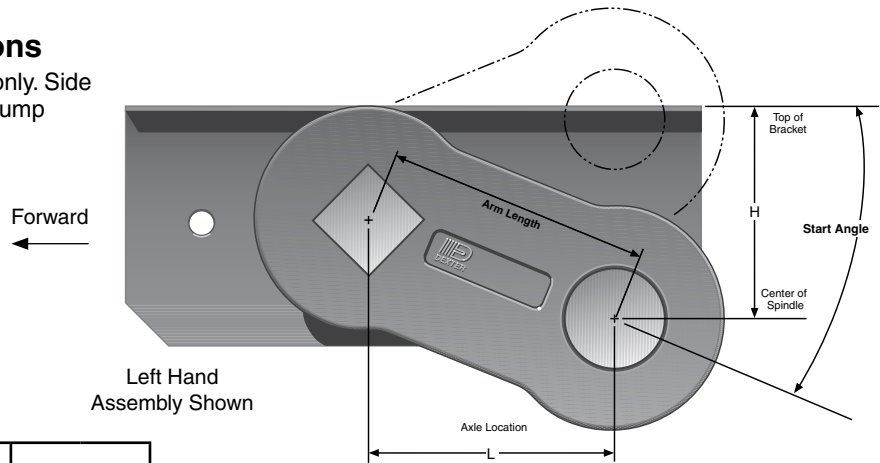
- Totally rubber-cushioned for smooth, quiet, independent ride
- Easy installation with less maintenance
- Less transfer of road shock which insulates cargo from road shocks and vibration
- Rubber cords compounded for maximum dependability and durability
- Load-carrying cross member
- Self-damping action
- Independent wheel suspension system
- 5 year limited warranty on suspension system
- Low profile for maximum road clearance
- Various starting angles to control trailer height
- High and low profile brackets with optional mounting brackets are available
- Rubber cushioning eliminates metal-to-metal contact
- Shock absorption provided by the natural hysteresis of rubber
- Single or tandem axle assemblies
- Durable, wear-resistant components

CAUTION: Triple axle assemblies are NOT recommended for Torflex® axles.



Articulation Dimensions

Dimensions are for top mount only. Side mount is .31" higher. Allow 3" bump clearance from full load.



Start Angle	Bracket Profile	No Load		Full Load		Shock Load	
		H	L	H	L	H	L
45° Down	Low	6.49	4.24	4.55	5.54	3.55	5.86
	High	7.18	4.24	5.24	5.54	4.24	5.86
22.5° Down	Low	4.55	5.54	2.25	6.00	1.21	5.91
	High	5.24	5.54	2.94	6.00	1.90	5.91
10° Down	Low	3.29	5.91	0.95	5.86	-0.05	5.54
	High	3.98	5.91	1.64	5.86	0.64	5.54
0°	Low	2.25	6.00	-0.05	5.54	-0.97	5.06
	High	2.94	6.00	0.64	5.54	-0.28	5.06
10° Up	Low	1.21	5.91	-0.97	5.06	-1.80	4.42
	High	1.90	5.91	-0.28	5.06	-1.11	4.42
22.5° Up	Low	-0.05	5.54	-1.99	4.24	-2.66	3.44
	High	0.64	5.54	-1.30	4.24	-1.97	3.44

#13 Overhang Per Side

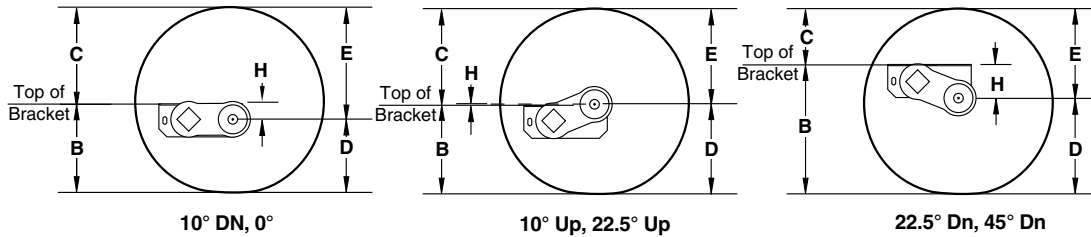
Spindle	Min.	Max.
Short	8.50"	21.50"
Standard	9.00"	21.50"

Note: Positive numbers in the H column indicate the spindle is BELOW the top of the bracket. Conversely, negative numbers are ABOVE the top of the bracket.



Full Load Dimensions

Dimensions are for low profile, top mount only. High profile brackets are .75" higher. Side mount is .31" higher. Allow 3" bump clearance from full load.



Start Angle

Tire	* **		45° Down			22.5° Down			10° Down			0°			10° Up			22.5° Up		
	D	E	H	B	C	H	B	C	H	B	C	H	B	C	H	B	C	H	B	C
10R17.5HC	15.6	18.0	4.6	20.2	13.4	2.3	17.9	15.7	1.0	16.6	17.0	-0.1	15.5	18.1	-1.0	14.6	19.0	-2.0	13.6	20.0
215/75R17.5	14.0	15.3	4.6	18.6	10.7	2.3	16.3	13.0	1.0	15.0	14.3	-0.1	13.9	15.4	-1.0	13.0	16.3	-2.0	12.0	17.3
12-16.5LT	14.9	15.8	4.6	19.5	11.2	2.3	17.2	13.5	1.0	15.9	14.8	-0.1	14.8	15.9	-1.0	13.9	16.8	-2.0	12.9	17.8
9.50-16.5LT	14.1	15.2	4.6	18.7	10.6	2.3	16.4	12.9	1.0	15.1	14.2	-0.1	14.0	15.3	-1.0	13.1	16.2	-2.0	12.1	17.2
9R 17.5HC	15.4	17.1	4.6	20.0	12.5	2.3	17.7	14.8	1.0	16.4	16.1	-0.1	15.3	17.2	-1.0	14.4	18.1	-2.0	13.4	19.1

Columns D and E are dimensional examples only:

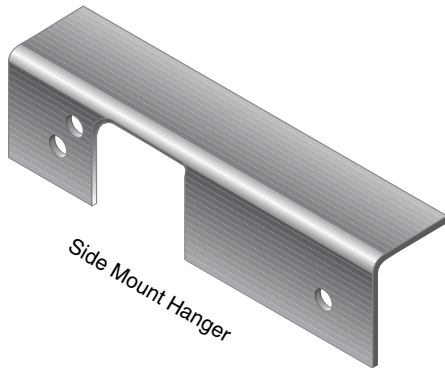
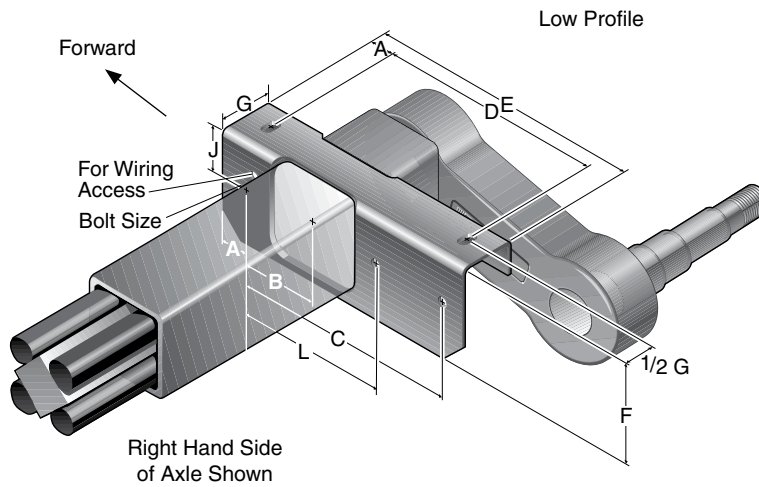
* D – Static Loaded Radius

** E – Inflated Radius

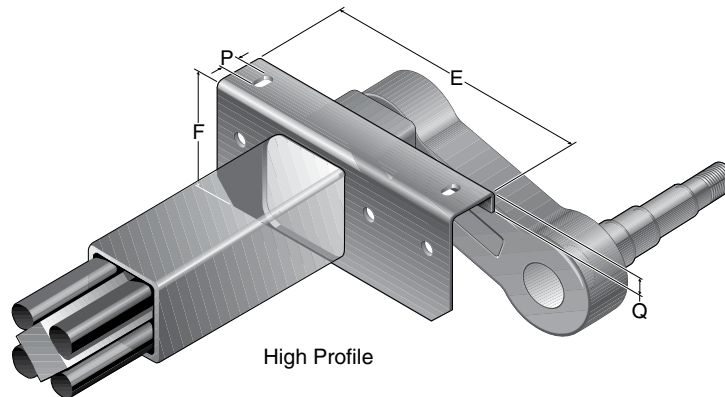


8000 LBS. CAPACITY

13 Bracket Dimensions



#13 Bracket Dimensions		
	Low	High
A	1.22	1.22
B	3.63	3.63
C	10.56	10.56
D	10.56	10.56
E	13.00	13.00
F	4.81	5.50
G	2.50	2.50
J	2.25	2.25
L	7.26	7.26
P	----	1.00
Q	----	1.00
Bolt Size	5/8" bolt	
Tube Size	3.88	3.88



Leaf Spring Application Information



8000 LBS. CAPACITY

Slipper Spring Axle Assemblies

Hanger Kits			Quantity Per Kit		
Part No.	Description	Height	HGR-138-00	HGR-238-00	HGR-338-00
028-009-01	Front Hanger	5.00"	2	2	2
029-005-01	Center Hanger	4.50"	----	2	4
030-006-01	Rear Hanger	6.38"	2	2	2

Attaching Parts Kits		A/P-103-00	A/P-202-00 [§]	A/P-216-00 [‡]	A/P-302-00 [§]	A/P-316-00 [‡]
Part No.	Description					
006-007-01	5/16-18 Locknut	2	4	4	6	6
006-011-00	Keeper Nut	2	4	4	6	6
006-111-00	Equalizer Nut	----	2	2	4	4
007-001-01	Equalizer Bolt	----	2	2	4	4
007-007-00	Keeper Bolt	2	4	4	6	6
007-017-00	Spring Eye Bolt	2	4	4	6	6
013-004-00	Equalizer	----	2	----	4	----
013-044-01	Equalizer	----	----	2	----	4

§ For 33.5" axle spacing

‡ For 36" axle spacing

Slipper Springs

	Single A/P-103-00	Tandem A/P-202-00 [§] A/P-216-00 [‡]	Triple A/P-302-00 [§] A/P-316-00 [‡]
A	24.0	----	----
B	----	28.8	28.8
C	----	33.5	33.5
D	11.5	11.5	11.5
E	----	----	33.0

Note: All 2" wide slipper springs

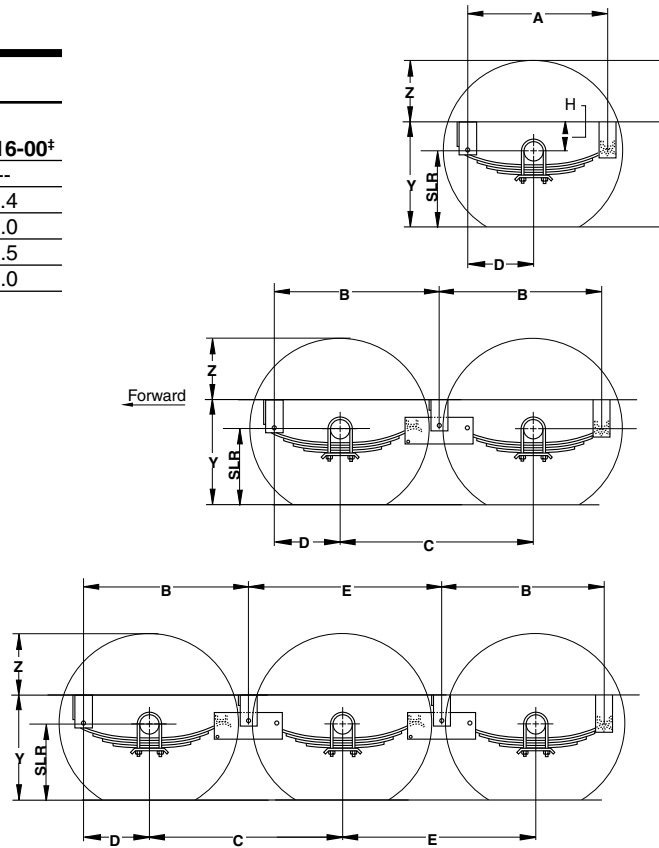
§ For 33.5" axle spacing

‡ For 36" axle spacing

A, B, E – Hanger Spacing
 C – Axle Spacing
 D – Axle Location
 H – Center of Spindle
 Y – Frame Height
 Z – Top of Tire to Bottom of Frame
 SLR – Static Load Radius

To determine these values, contact your local sales engineer or distributor to run ProSpec™.

Some combinations of hangers and spring mountings may result in insufficient bump clearance. Refer to the Miscellaneous section for additional hanger kits, A/P kits, or other tires.



D80 Overhang Per Side

	Min.	Max.
Straight	8.00"	9.50"
4" Drop	9.00"	9.50"

Single Axles

require 1 HAP-105-00 kit

Tandem Axles

require 1 HAP-105-00 kit
and 1 HAP-205-01 kit

Triple Axles

require 1 HAP-105-00 kit
and 2 HAP-205-01 kits

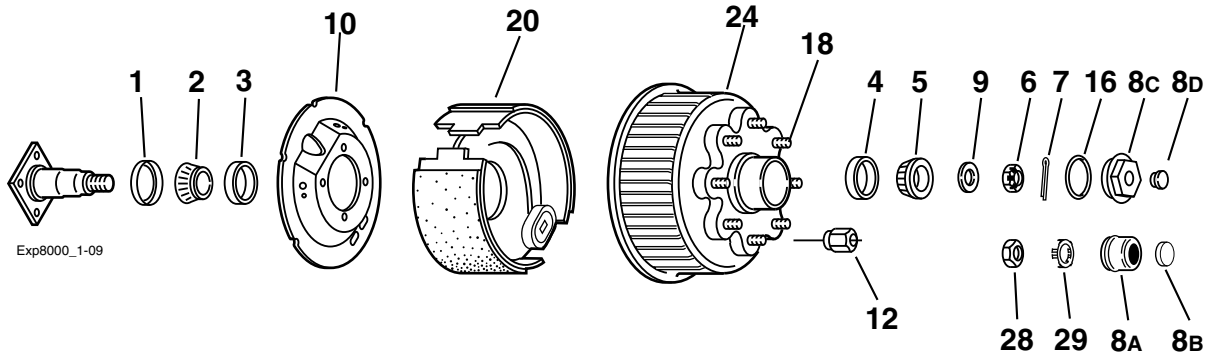
Rubber Bushed Suspension

Part No.	Description	Height	HAP-105-00	HAP-205-01
028-068-02	Front Hanger	5.50"	2	----
029-039-04	Center Hanger	4.50"	----	2
030-068-02	Rear Hanger	4.85"	2	----
006-011-00	5/16-18 UNC Locknut	----	2	2
006-038-00	5/8-11 UNC Locknut	----	2	2
006-112-00	1-8 UNC Locknut	----	----	2
007-007-00	Keeper Bolt	----	2	2
007-181-00	Spring Eye Bolt	----	2	2
007-182-00	Equalizer Bolt	----	----	2
013-117-03	Equalizer	----	----	2
059-200-00	Decal	----	1	1
059-203-00	Instruction Sheet	----	1	1



865 Hub Group

8000 LBS. CAPACITY



Grease Lube Parts

Item	Part No.	Description
1	010-036-00	Seal
2	031-030-02	25580 Inner Bearing Cone
3	031-030-01	25520 Inner Bearing Cup
4	031-028-01	02420 Outer Bearing Cup
5	031-028-02	02475 Outer Bearing Cone
6	006-176-00	Spindle Nut
7	019-002-00	Cotter Pin (not used with E-Z Lube®)
ns	021-039-00	Grease Cap
8A	021-043-01	Grease Cap for E-Z Lube®
8B	085-001-00	E-Z Lube® Rubber Plug
9	005-057-00	Spindle Washer
28	006-191-00	Special Jam Nut for E-Z Lube® (after 2002)
29	006-190-00	Spindle Nut Retainer for E-Z Lube® (after 2002)

Oil Lube Parts

Item	Part No.	Description
1	010-063-00	Seal (Unitized)
2	031-030-02	25580 Inner Bearing Cone
3	031-030-01	25520 Inner Bearing Cup
4	031-028-01	02420 Outer Bearing Cup
5	031-028-02	02475 Outer Bearing Cone
6	006-176-00	Spindle Nut
7	019-002-00	Cotter Pin
8C	021-035-00	Oil Cap
8D	046-032-00	Oil Cap Plug
9	005-057-00	Spindle Washer
ns	046-052-00	Oil Filler Plug (service part only)
16	010-045-00	'O' Ring for Oil Lube

ABS Components

Part No.	Description
097-004-00	Sensor, Straight
024-204-00	Sensor Block, Screw-In
097-002-00	Sensor Retainer Clip
024-205-01	Sensor Tone Ring

12¼" x 3⅜" Brakes

Item	Part No.	Description
10	036-115-20	Dust Shield
10	036-115-24	Dust Shield for brakes with park
20	K23-434-00/K23-435-00	LH/RH Electric Self-Adjust
ns	K23-432-00/K23-433-00	LH/RH Electric Manual Adjust
ns	K23-402-00/K23-403-00	LH/RH Hydraulic Self-Adjust Duo-Servo
ns	K23-171-00/K23-172-00	LH/RH Hyd. Self-Adj Duo-Servo w/Park
ns	K23-418-00/K23-419-00	LH/RH Hydraulic Uni-Servo
ns	K23-252-00/K23-253-00	LH/RH Hydraulic Uni-Servo w/Park
ns	K23-420-00/K23-421-00	LH/RH Self Adj. DS Corrosion Resistant
ns	K23-388-00/K23-387-00	LH/RH Hyd. Manual Adjust Duo-Servo

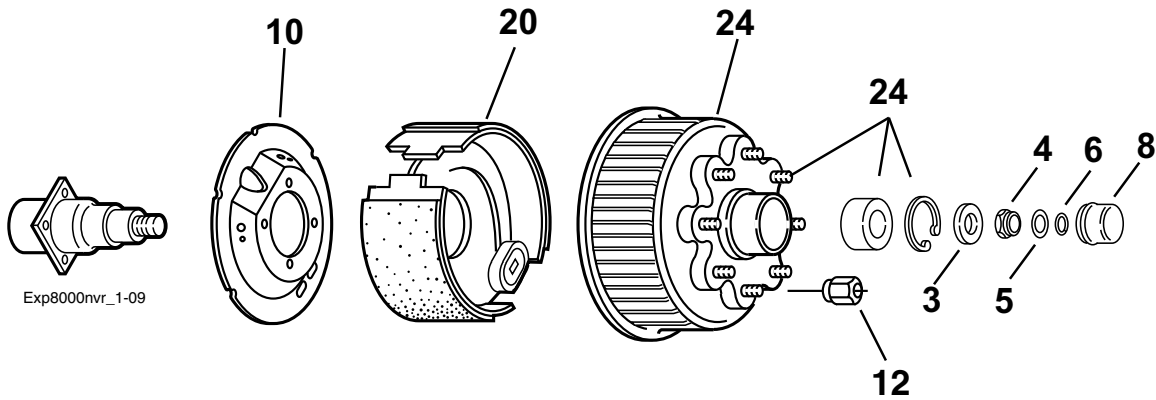
Hubs

Item	Part No.	Description	Bolt Circle
Hubs and Drums			
24	008-285-08	Grease ⅝" Stud	8 on 6.50
24	008-285-15	Grease ⅝" Stud ABS	8 on 6.50
24	008-285-11	Grease ⅞" Stud	8 on 6.50
24	008-285-13	Grease ⅞" Stud ABS	8 on 6.50
24	008-285-10	Oil ⅝" Stud	8 on 6.50
24	008-285-14	Oil ⅝" Stud ABS	8 on 6.50
24	008-285-09	Oil ⅞" Stud	8 on 6.50
24	008-285-12	Oil ⅞" Stud ABS	8 on 6.50
Plain Hubs			
ns	008-287-07	Grease ⅝" Stud	8 on 6.50
ns	008-287-11	Grease ⅞" Stud	8 on 6.50
ns	008-287-14	Oil ⅞" Stud	8 on 6.50
ns	008-287-17	Oil ⅝" Stud	8 on 6.50

Studs & Wheel Nuts

Item	Part No.	Description
12	006-053-00	⅞-18 60° Cone Nut
12	006-109-00	⅞-18 90° Cone Nut
18	007-132-00	⅞-18 Press-in Stud
18	007-232-00	⅞-18 Press-in Stud
ns	006-058-00	⅞-18 Flange Nut

ns - not shown



Nev-R-Lube® Parts 50MM

Item	Part No.	Description
3	005-149-00	Spindle Washer
4	006-183-00	Spindle Nut
5	092-002-00	Washer, Torque Label
6	069-096-00	Snap Ring
8	021-086-00	Grease Cap

12¼" x 3¾" Brakes

Item	Part No.	Description
10	036-115-20	Dust Shield
10	036-115-24	Dust Shield for brakes with park
20	K23-434-00/K23-435-00	LH/RH Electric Self-Adjust
ns	K23-402-00/K23-403-00	LH/RH Hydraulic Self-Adjust Duo-Servo
ns	K23-171-00/K23-172-00	LH/RH Hyd. Self-Adj Duo-Servo w/Park
ns	K23-418-00/K23-419-00	LH/RH Hydraulic Uni-Servo
ns	K23-252-00/K23-253-00	LH/RH Hydraulic Uni-Servo w/Park

ABS Hubs Without Bearing

Item	Part No.	Description	Bolt Circle
24	008-389-09	Grease ⅝" Stud ABS	8 on 6.50
24	008-389-12	Grease ⅞" Stud ABS	8 on 6.50

Hubs With Bearing and Wheel Studs

Item	Part No.	Description	Bolt Circle
24	008-389-81	Hub and Drum includes: 007-223-00 ⅞" Press-in Studs 031-071-03 50mm Bearing Cartridge 069-093-00 Bearing Retainer	8 on 6.50
ns	008-389-80	Hub and Drum includes: 007-224-00 ⅞" Press-in Studs 031-071-03 50mm Bearing Cartridge 069-093-00 Bearing Retainer	8 on 6.50

Wheel Nuts

Item	Part No.	Description
12	006-053-00	⅞-18 60° Cone Nut
ns	006-109-00	⅞-18 90° Cone Nut

ABS Components

Part No.	Description
097-004-00	Sensor, Straight
024-204-00	Sensor Block, Screw-In
097-002-00	Sensor Retainer Clip

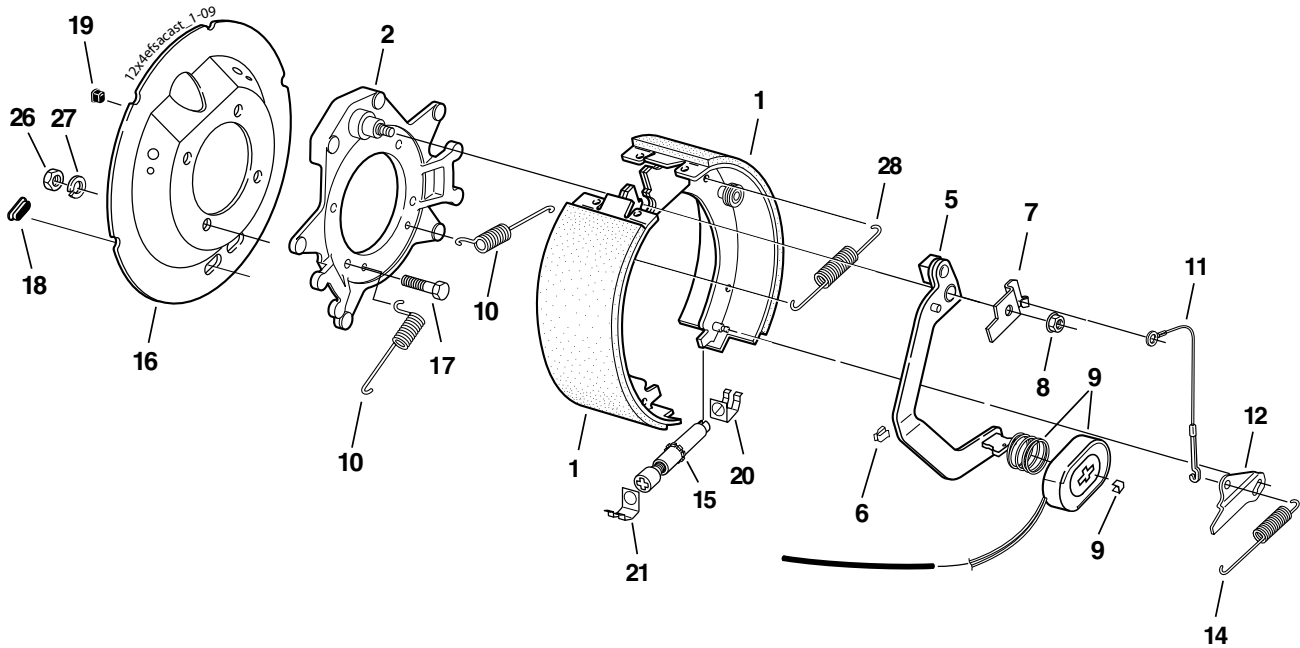
ns - not shown

12¼" x 3⅜" 8K Electric Brake FSA – Cast Backing Plate



CSA approved at 7000#/14.2 SLR

8000 LBS. CAPACITY



Electric Brake

Item	Part No.	Qty/Brk	Description
0	K23-434-00	1	LH Complete Brake Assembly (shown)
0	K23-435-00	1	RH Complete Brake Assembly
1	K71-499-00	1	LH Shoe & Lining Kit Contains: 1 #040-350-01 LH Primary Shoe & Lining 1 #040-351-02 LH Secondary Shoe & Lining
1	K71-498-00	1	RH Shoe & Lining Kit Contains: 1 #040-351-01 RH Primary Shoe & Lining 1 #040-350-02 RH Secondary Shoe & Lining
2	036-119-02	1	Backing Plate Assembly
5	047-123-38	1	LH Actuating Arm Assembly
5	047-123-37	1	RH Actuating Arm Assembly
6	027-039-00	3	Wire Clip
7	071-455-01	1	LH Arm/Shoe Retainer
7	071-455-02	1	RH Arm/Shoe Retainer
8	006-092-01	1	Flange Nut
9	K71-375-00	1	Magnet Kit Contains: 1 #042-127-00 Magnet 1 #027-050-00 Magnet Retainer Clip 1 #046-117-00 Magnet Spring
10	046-136-00	2	Centering Spring
11	071-462-00	1	Adjuster Cable
12	071-464-00	1	LH Adjuster Lever
12	071-463-00	1	RH Adjuster Lever
14	046-137-00	1	Adjuster Spring
15	048-019-00	1	LH Adjuster Assembly (silver)
15	048-020-00	1	RH Adjuster Assembly (gold)
*16	036-115-00	1	Dust Shield
*17	007-097-00	4	Brake Mounting Bolt
*18	046-007-00	2	Adjuster Slot Plug
*19	046-016-00	1	Wire Grommet
20	046-133-00	1	Adjuster Clip (barrel end)
21	046-132-00	1	Adjuster Clip (thread end)
*26	006-129-00	4	Brake Mounting Nut
*27	005-058-00	4	Lock Washer
28	046-119-00	1	Return Spring

* Not included with complete brake assembly. Item sold separately.

Brakes manufactured after April 2000 use the cast backing plate

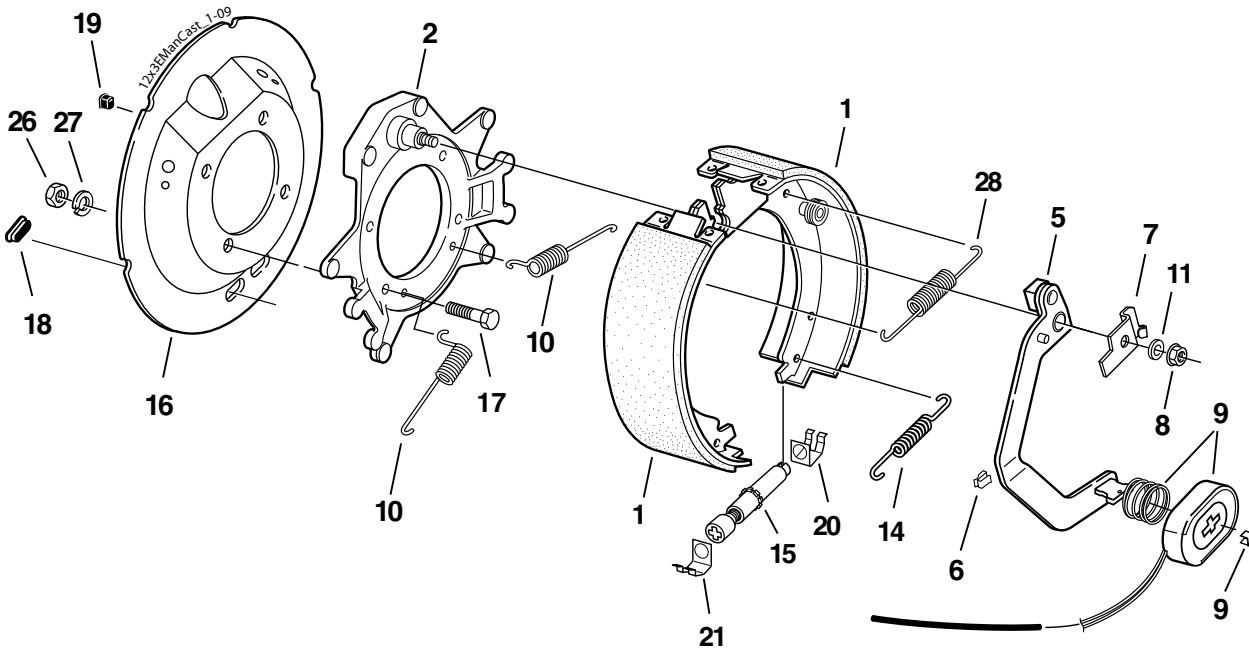
12¼" x 3⅜" 8K Electric Brake Manual Adjust



Cast Backing Plate

CSA approved at 7000#/14.2 SLR

8000 LBS. CAPACITY



Electric Brake

Item	Part No.	Qty/Brk	Description
0	K23-432-00	1	LH Complete Brake Assembly (shown)
0	K23-433-00	1	RH Complete Brake Assembly
1	K71-499-00	1	LH Shoe & Lining Kit Contains: 1 #040-350-01 LH Primary Shoe & Lining 1 #040-351-02 LH Secondary Shoe & Lining
1	K71-498-00	1	RH Shoe & Lining Kit Contains: 1 #040-351-01 RH Primary Shoe & Lining 1 #040-350-02 RH Secondary Shoe & Lining
2	036-119-02	1	Backing Plate Assembly
5	047-123-18	1	LH Actuating Arm Assembly
5	047-123-17	1	RH Actuating Arm Assembly
6	027-039-00	3	Wire Clip
7	071-455-01	1	LH Arm/Shoe Retainer
7	071-455-02	1	RH Arm/Shoe Retainer
8	006-092-01	1	Flange Nut
9	K71-375-00	1	Magnet Kit Contains: 1 #042-127-00 Magnet 1 #027-050-00 Magnet Retainer Clip 1 #046-117-00 Magnet Spring
10	046-136-00	2	Centering Spring
11	005-142-00	1	Washer
14	046-018-00	1	Adjuster Spring
15	048-017-00	1	Adjuster Assembly
*16	036-115-00	1	Dust Shield
*17	007-097-00	4	Brake Mounting Bolt
*18	046-007-00	2	Adjuster Slot Plug
*19	046-016-00	1	Wire Grommet
20	046-132-00	1	Adjuster Clip (thread end)
21	046-133-00	1	Adjuster Clip (barrel end)
*26	006-129-00	4	Brake Mounting Nut
*27	005-058-00	4	Lock Washer
28	046-119-00	1	Return Spring

* Not included with complete brake assembly. Item sold separately.

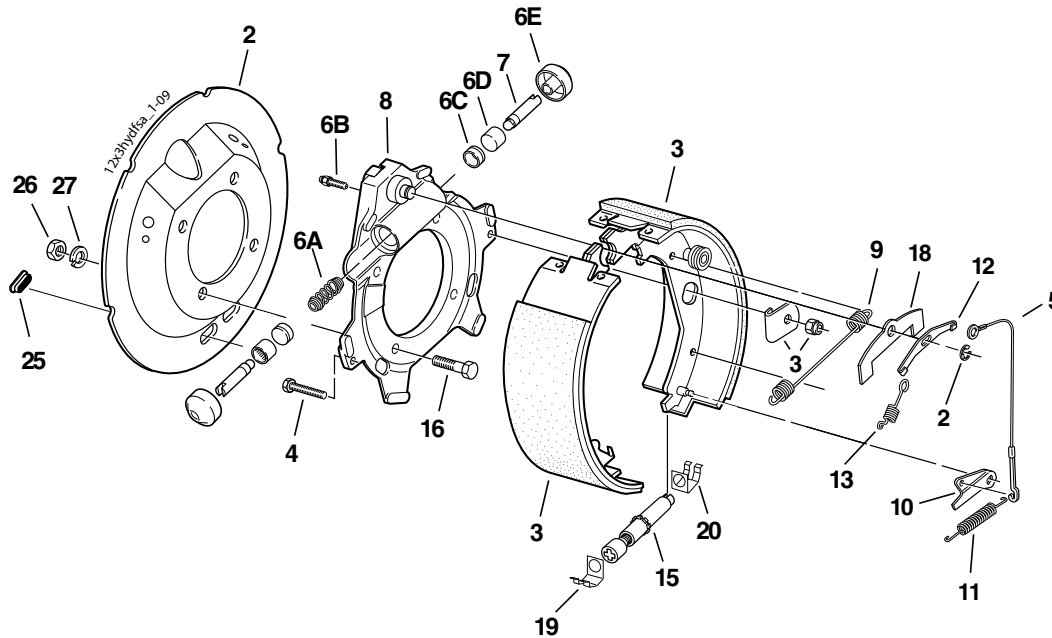
Brakes manufactured before April 2000 use the stamped backing plate

12¼" x 3⅜" 8K Hydraulic Brake FSA



8000 LBS. CAPACITY

ABS Parts Available



Hydraulic Brake

Item	Part No.	Qty/Brk	Description
+0	K23-418-00	1	LH Complete Brake Assembly FSA US
+0	K23-419-00	1	RH Complete Brake Assembly FSA US
0	K23-402-00	1	LH Complete Brake Assembly FSA DS (shown)
0	K23-403-00	1	RH Complete Brake Assembly FSA DS
*1	036-115-20	1	Dust Shield
2	069-053-00	1	Retainer
3	K71-165-00	1	LH Shoe & Lining Kit Contains: 1 #040-199-01 LH Primary Shoe & Lining 1 #040-199-02 LH Secondary Shoe & Lining 2 #005-107-00 Shoe Hold Down Washer 2 #006-086-00 Locknut
3	K71-166-00	1	RH Shoe & Lining Kit Contains: 1 #040-200-01 RH Primary Shoe & Lining 1 #040-200-02 RH Secondary Shoe & Lining 2 #005-107-00 Shoe Hold Down Washer 2 #006-086-00 Locknut
4	007-113-00	2	Shoe Hold Down Screw
5	071-462-00	1	Adjuster Cable
6	K71-080-00	1	Wheel Cylinder Kit (1.00" Bore) Contains: 1 #046-130-00 Spring 2 #054-032-00 Boot 2 #054-041-00 Piston 2 #054-085-00 Cup 1 #054-035-00 Bleeder Screw
7	054-033-00	1 or 2	Cylinder Push Rod US (1) DS (2)
8	036-064-06	1	LH Spider Assembly US (incl. items #4, 6, 7)
8	036-064-07	1	RH Spider Assembly US (incl. items #4, 6, 7)
8	036-064-03	1	Spider Assembly (incl. items #4, 6, 7) DS
9	046-087-00	1	Retractor Spring
10	071-464-00	1	LH Adjuster Lever
10	071-463-00	1	RH Adjuster Lever
11	046-135-00	1	LH Adjuster Spring
11	046-134-00	1	RH Adjuster Spring
12	071-456-00	1	Cable Attachment Bracket
13	046-131-01	1	Extension Spring
15	048-019-00	1	LH Adjuster Assembly
15	048-020-00	1	RH Adjuster Assembly
*16	007-097-00	4	Brake Mounting Bolt
18	034-062-00	1	Piston Stop
19	046-132-00	1	Adjuster Clip (thread end)
20	046-133-00	1	Adjuster Clip (barrel end)
*25	046-007-00	2	Adjuster Slot Plug
*26	006-129-00	4	Brake Mounting Nut
*27	005-058-00	4	Lock Washer

Hydraulic Brake – Corrosion Resistant Duo-Servo Only

Item	Part No.	Qty/Brk	Description
0	K23-420-00	1	LH Complete Brake Assembly FSA
0	K23-421-00	1	RH Complete Brake Assembly FSA
*1	036-115-20	1	Dust Shield
2	069-053-00	1	Retainer
3	K71-437-00	1	LH Shoe & Lining Kit Contains: 1 #040-199-05 LH Primary Shoe & Lining 1 #040-199-06 LH Secondary Shoe & Lining 2 #005-107-02 Shoe Hold Down Washer 2 #006-086-00 Locknut
3	K71-438-00	1	RH Shoe & Lining Kit Contains: 1 #040-200-05 RH Primary Shoe & Lining 1 #040-200-06 RH Secondary Shoe & Lining 2 #005-107-02 Shoe Hold Down Washer 2 #006-086-00 Locknut
4	007-113-01	2	Shoe Hold Down Screw
5	071-462-00	1	Adjuster Cable
6A	046-130-00	1	Spring
6B	054-035-00	1	Bleeder Screw
6C	054-085-00	2	Cup
6D	054-083-00	2	Piston
6E	054-032-00	2	Boot
7	054-033-00	2	Cylinder Push Rod
8	036-064-14	1	Spider Assembly (incl. items #4, 6, 7) DS
9	046-087-01	1	Retractor Spring
10	071-464-00	1	LH Adjuster Lever
10	071-463-00	1	RH Adjuster Lever
11	046-135-01	1	LH Adjuster Spring
11	046-134-01	1	RH Adjuster Spring
12	071-456-00	1	Cable Attachment Bracket
13	046-131-02	1	Extension Spring
15	048-019-00	1	LH Adjuster Assembly
15	048-020-00	1	RH Adjuster Assembly
*16	007-097-00	4	Brake Mounting Bolt
18	034-062-02	1	Piston Stop
19	046-132-00	1	Adjuster Clip (thread end)
20	046-133-00	1	Adjuster Clip (barrel end)
*25	046-007-00	2	Adjuster Slot Plug
*26	006-129-00	4	Brake Mounting Nut
*27	005-058-00	4	Lock Washer

* Not included with complete brake assembly. Item sold separately.

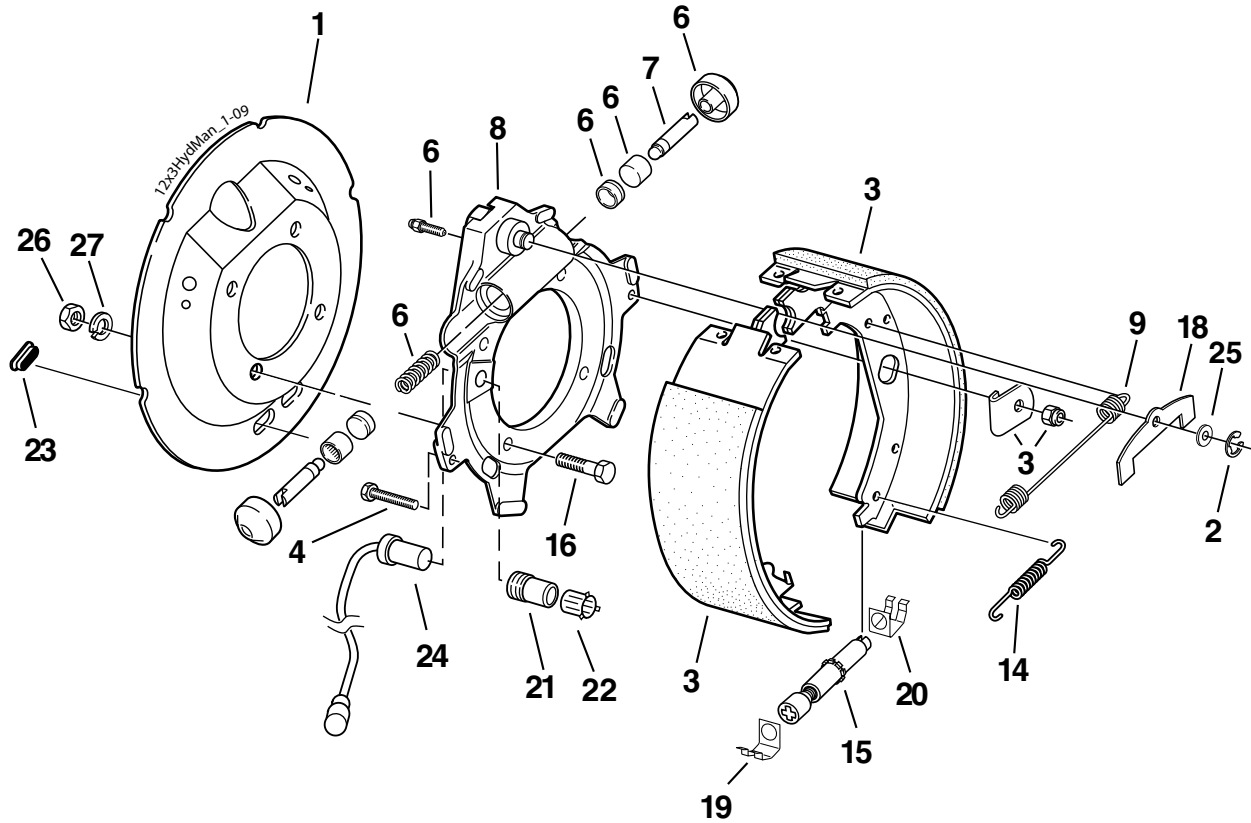
+ Uni-Servo version not shown.

12¼" x 3⅜" 8K Hydraulic Brake Manual Adjust



Shown With ABS Parts

8000 LBS. CAPACITY



Hydraulic Brake

Item	Part No.	Qty/Brk	Description
0	K23-388-00	1	LH Complete Brake Assembly-DS (shown)
0	K23-387-00	1	RH Complete Brake Assembly-DS
*1	036-115-20	1	Dust Shield
2	069-053-00	1	Retainer
3	K71-165-00	1	LH Shoe & Lining Kit Contains: 1 #040-199-01 LH Primary Shoe & Lining 1 #040-199-02 LH Secondary Shoe & Lining 2 #005-107-00 Shoe Hold Down Washer 2 #006-086-00 Locknut
3	K71-166-00	1	RH Shoe & Lining Kit Contains: 1 #040-200-01 RH Primary Shoe & Lining 1 #040-200-02 RH Secondary Shoe & Lining 2 #005-107-00 Shoe Hold Down Washer 2 #006-086-00 Locknut
4	007-113-00	2	Shoe Hold Down Screw
6	K71-080-00	1	Wheel Cylinder Kit (1.00" Bore) Contains: 1 #046-130-00 Spring 2 #054-032-00 Boot 2 #054-041-00 Piston 2 #054-085-00 Cup 1 #054-035-00 Bleeder Screw
7	054-033-00	2	Cylinder Push Rod
8	036-064-03	1	Spider Assembly (incl. items #4, 6, 7)
9	046-087-00	1	Retractor Spring
14	046-018-00	1	Adjuster Spring
15	048-017-00	1	Adjuster Assembly
*16	007-097-00	4	Brake Mounting Bolt

* Not included with complete brake assembly. Item sold separately.

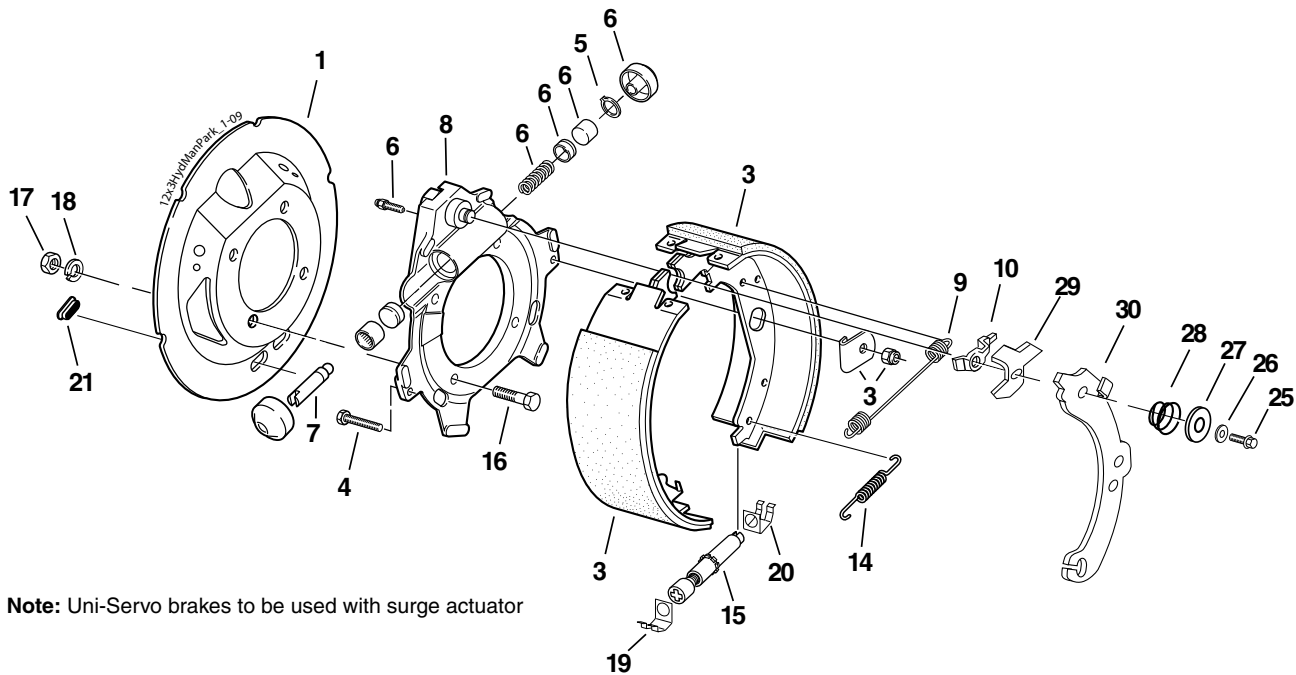
Hydraulic Brake

Item	Part No.	Qty/Brk	Description
18	034-062-00	1	Piston Stop
19	046-132-00	1	Adjuster Clip (thread end)
20	046-133-00	1	Adjuster Clip (barrel end)
*21	024-204-00	1	ABS Sensor Mounting Block
*22	097-002-00	1	ABS Sensor Retaining Clip
*23	046-007-00	2	Adjuster Slot Plug
*24	097-004-00	1	ABS Sensor (straight)
25	005-142-00	1	Washer
*26	006-129-00	4	Brake Mounting Nut
*27	005-058-00	4	Lock Washer

12¼" x 3⅜" 8K Hydraulic Brake Uni-Servo With Parking Feature (Manual Adjust)



8000 LBS. CAPACITY



Note: Uni-Servo brakes to be used with surge actuator

Hydraulic Brake

Item	Part No.	Qty/Brk	Description
0	K23-252-00	1	LH Complete Brake Assembly-US, w/park (shown)
0	K23-253-00	1	RH Complete Brake Assembly-US, w/park
*1	036-115-24	1	Dust Shield
3	K71-165-00	1	LH Shoe & Lining Kit Contains: 1 #040-199-01 LH Primary Shoe & Lining 1 #040-199-02 LH Secondary Shoe & Lining 2 #005-107-00 Shoe Hold Down Washer 2 #006-086-00 Locknut
3	K71-166-00	1	RH Shoe & Lining Kit Contains: 1 #040-200-01 RH Primary Shoe & Lining 1 #040-200-02 RH Secondary Shoe & Lining 2 #005-107-00 Shoe Hold Down Washer 2 #006-086-00 Locknut
4	007-113-00	2	Shoe Hold Down Screw
5	069-040-00	1	Snap Ring
6	K71-080-00	1	Wheel Cylinder Kit (1.00" Bore) Contains: 1 #046-130-00 Spring 2 #054-032-00 Boot 2 #054-041-00 Piston 2 #054-085-00 Cup 1 #054-035-00 Bleeder Screw
7	054-033-00	2	Cylinder Push Rod-US
8	036-064-08	1	LH Spider Assembly (incl. items #4,5,6,7) US
8	036-064-09	1	RH Spider Assembly (incl. items #4,5,6,7) US
9	046-087-00	1	Retractor Spring

* Not included with complete brake assembly. Item sold separately.

Hydraulic Brake

Item	Part No.	Qty/Brk	Description
10	033-083-00	1	Spacer
14	046-018-00	1	Adjuster Spring
15	048-017-00	1	Adjuster Assembly
*16	007-097-00	4	Brake Mounting Bolt
*17	006-129-00	4	Brake Mounting Nut
*18	005-058-00	4	Lock Washer
19	046-132-00	1	Adjuster Clip (thread end)
20	046-133-00	1	Adjuster Clip (barrel end)
*21	046-007-00	2	Adjuster Slot Plug
25	007-096-00	1	Hold Down Lever Bolt
26	005-143-00	1	Star Washer
27	005-065-00	0	Hold Down Lever Washer
28	046-091-00	1	Hold Down Lever Spring
29	039-055-00	1	Parking Cam LH
29	039-056-00	1	Parking Cam RH
30	047-089-00	1	Parking Lever LH
30	047-090-00	1	Parking Lever RH
ns	071-512-00	1	Parking Cable

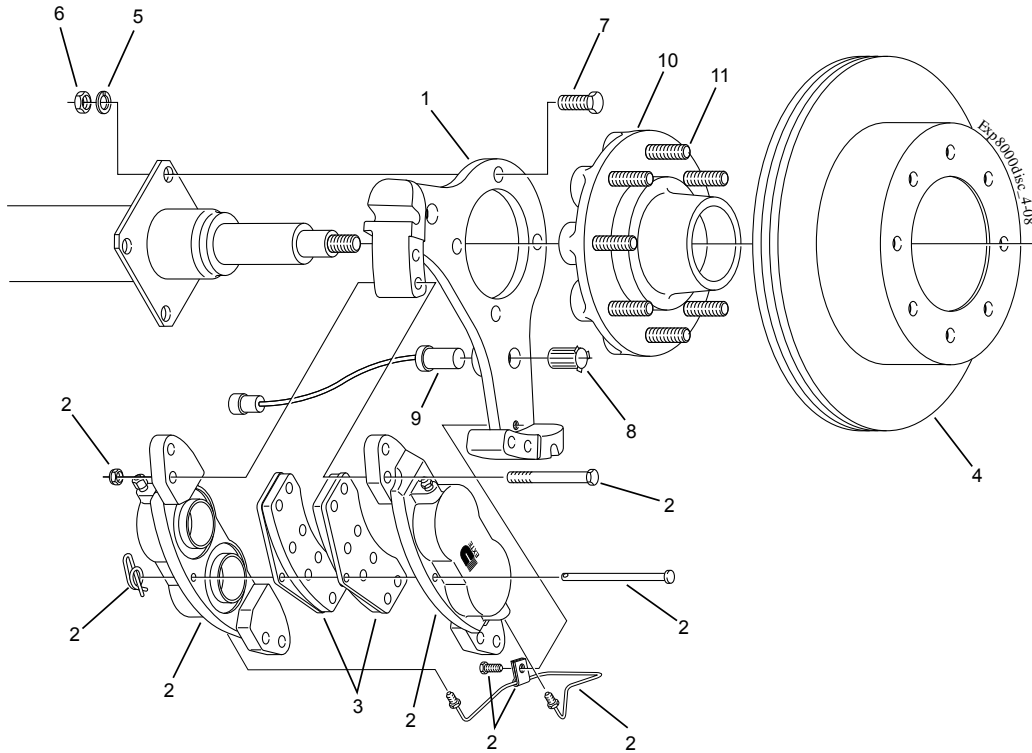
ns - not shown

Disc Brake for 8,000 Lb. Axles



CSA approved at 8000#/14.0 SLR

8000 LBS. CAPACITY



Disc Brake 8000#

Item	Part No.	Qty/Brk	Description
1	090-003-01	1	Anchor Yoke
2	K71-630-00	1	Caliper Assembly Kit for LH or RH Contains:
	4 006-045-00		Caliper Mounting Nut
	4 007-254-00		Caliper Mounting Bolt
	1 019-019-00		Cotter Ring
	1 027-060-00		Tube Clamp
	1 054-092-00		Bleeder Screw
	1 054-094-00		Adapter Fitting
	1 056-038-00		Pad Retaining Pin
	1 071-513-00		Cross Over Hydraulic Line (yokes without notch)
	1 071-518-00		Cross Over Hydraulic Line (yokes with notch)
	1 087-002-00		Hex Bolt
	2 089-003-02		Assembled Caliper Half
3	K71-629-00	1	Brake Pad Kit (axle set)
4	K71-631-00	1	Rotor Kit
5	005-058-00	4	1/2" Lock Washer
6	006-129-01	4	1/2" Hex Nut
7	007-097-00	4	1/2" Brake Mounting Bolt
8	097-002-00	1	ABS Sensor Retaining Clip
9	097-004-00	1	ABS Sensor (straight)

Disc Brake 8000# With 50MM Nev-R-Lube®

Item	Part No.	Qty/Brk	Description
1	090-007-01	1	LH Anchor Yoke
2	K71-630-00	1	Caliper Assembly Kit for LH or RH Contains:
	4 006-045-00		Caliper Mounting Nut
	4 007-254-00		Caliper Mounting Bolt
	1 019-019-00		Cotter Ring
	1 027-060-00		Tube Clamp
	1 054-092-00		Bleeder Screw
	1 054-094-00		Adapter Fitting
	1 056-038-00		Pad Retaining Pin
	1 071-513-00		Cross Over Hydraulic Line (yokes without notch)
	1 071-518-00		Cross Over Hydraulic Line (yokes with notch)
	1 087-002-00		Hex Bolt
	2 089-003-02		Assembled Caliper Half
3	K71-629-00	1	Brake Pad Kit (axle set)
4	K71-631-00	1	Rotor Kit
5	005-058-00	4	1/2" Lock Washer
6	006-129-01	4	1/2" Hex Nut
7	007-097-00	4	1/2" Brake Mounting Bolt
8	097-002-00	1	ABS Sensor Retaining Clip
9	097-004-00	1	ABS Sensor (straight)

Disc Brake Hubs & Studs

Item	Part No.	Qty/Brk	Description
10	008-399-05	1	Grease 9/16" Studs 8 on 6.50
10	008-399-06	1	Oil 9/16" Studs 8 on 6.50
10	008-399-07	1	Grease 5/8" Studs 8 on 6.50
10	008-399-08	1	Oil 5/8" Studs 8 on 6.50
11	007-257-00	8	9/16-18 x 2.50" Press-in Stud
11	007-115-00	8	5/8-18 x 3.16" Press-in Stud

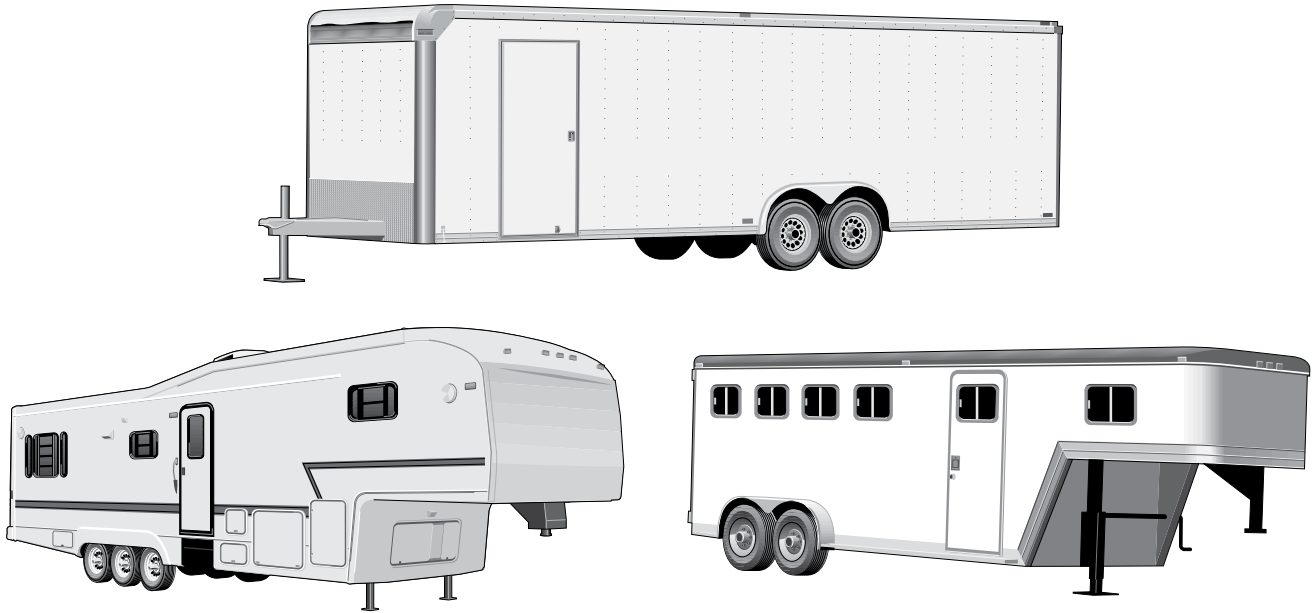
Nev-R-Lube® Disc Brake Hubs

Item	Part No.	Qty/Brk	Description
10	008-402-80	1	9/16" Studs, 50mm 8 on 6.50
10	008-402-81	1	5/8" Studs, 50mm 8 on 6.50
11	007-257-00	8	9/16-18 x 2.50" Press-in Stud
11	007-115-00	8	5/8-18 x 3.16" Press-in Stud

AIRFLEX® Light Trailer Suspension System

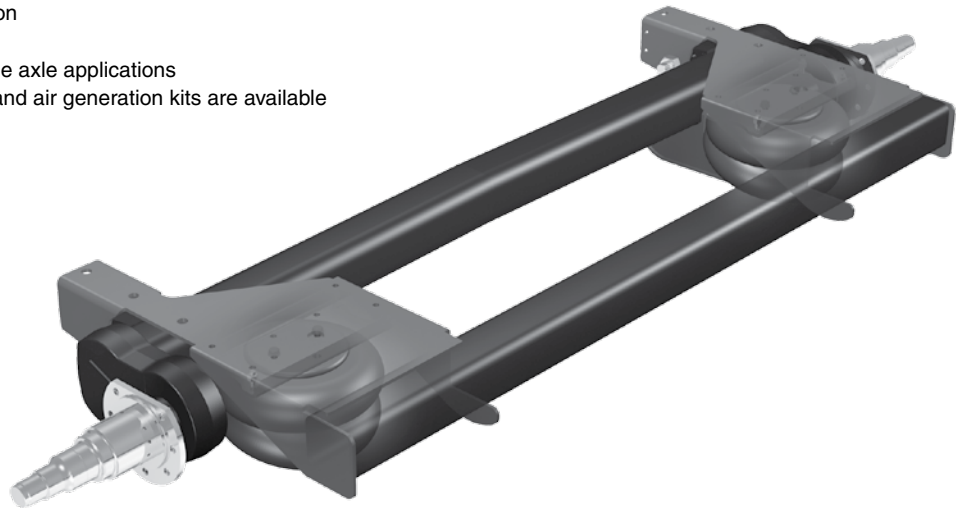


8000 LBS. CAPACITY



Smooth Out the Roughest Roads

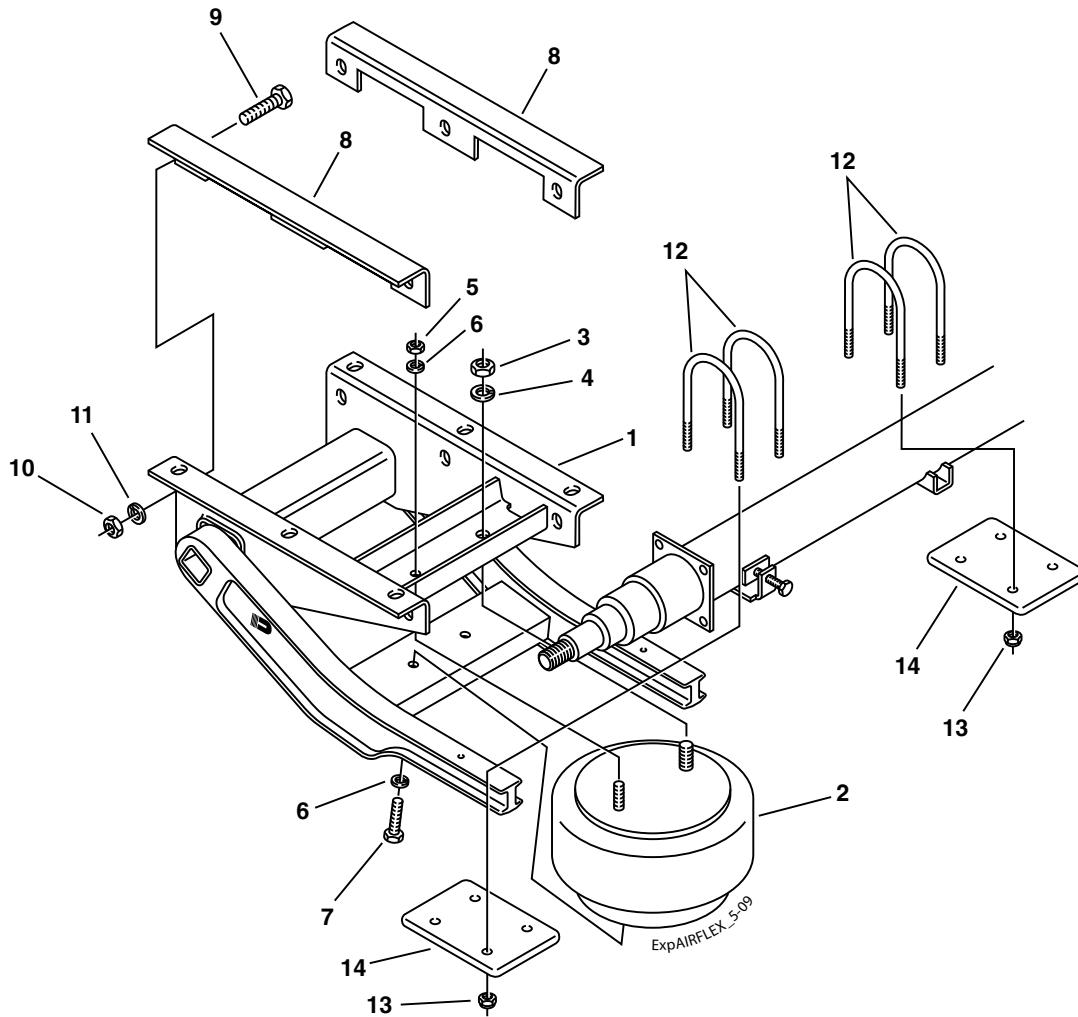
- Soft Ride – New hybrid suspension combines air and rubber torsion for an excellent ride
- Independent – Ride and stability improve with independent wheel action
- Equalizing – Axle-to-axle load equalization allows use on triple axle trailers
- Reliable – Rubber cushions ride even if air is not available
- Maintains constant ride height for the ultimate ride
- Fully assembled for easy installation
- Adjustable axle alignment feature
- Available for single, tandem or triple axle applications
- Optional ride height control valve and air generation kits are available
- 2 year limited warranty





Service Parts Only

8000 LBS. CAPACITY



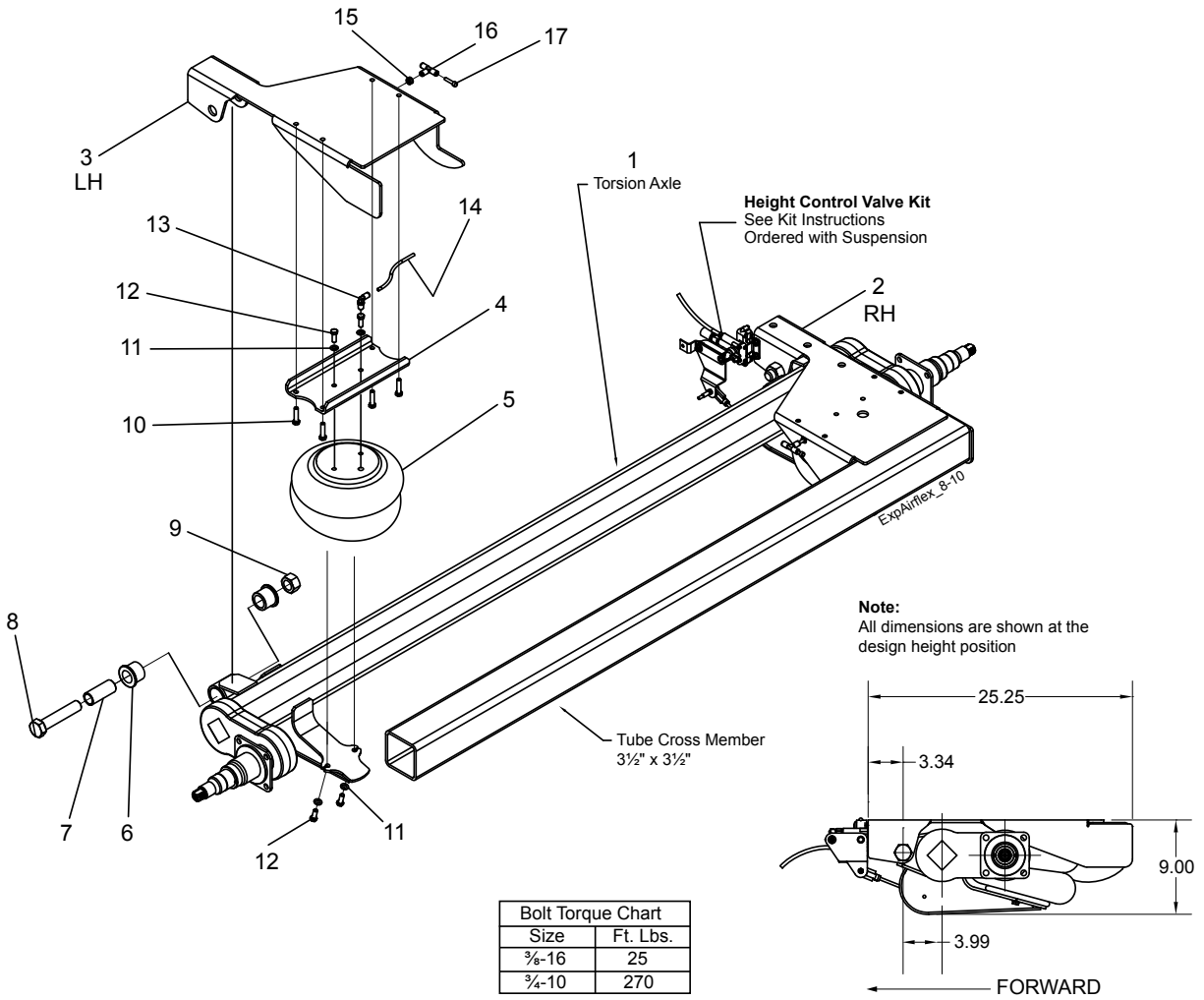
AIRFLEX® Suspension Components 8000#

Item	Part No.	Qty/Axle	Description
1	003-272-00	1	LH Suspension Assembly (shown) (incl. items #2-11)
1	003-273-00	1	RH Suspension Assembly (incl. items #2-11)
Air Spring & Mounting Hardware			
2	034-279-00	2	Air Spring
3	006-122-01	2	3/4"-16 Jam Nut
4	005-143-00	2	3/4" Lock Washer
5	006-116-00	2	1/2"-13 Hex Nut
6	005-058-00	6	1/2" Lock Washer
7	007-259-00	4	1/2"-13 Hex Bolt
Suspension Mounting Hardware			
8	003-261-00	2	Side Mount Bracket
9	007-177-00	6	5/8" Mounting Bolt
10	006-126-00	6	5/8" Locknut
11	005-111-00	6	5/8" Washer
Axle Attaching Hardware			
12	011-090-01	8	3/4" U-Bolt
13	006-113-00	16	3/4" Locknut
14	012-065-01	4	Tie Plate
Air Supply Kits			
ns	K71-632-01	-	Tandem Plumbing Kit with Ride Height Control Valve
ns	K71-632-02	-	Air Generation Kit (includes compressor and tank)
ns	K71-632-03	-	Manual Dump Valve Kit
ns	K71-632-04	-	Tri-Axle Conversion Plumbing Kit

ns - not shown



8000 LBS. CAPACITY



AIRFLEX® Suspension Components 8000#

Item	Part No.	Qty/Axle	Description
1	n/a	1	Torsion Axle with Suspension Brackets
2	003-327-00	1	RH Frame Bracket
3	003-326-00	1	LH Frame Bracket
4	003-323-00	2	Channel, Air Spring Support
5	W01-358-6947	2	Firestone Air Spring
6	014-123-00	2	Pivot Bushing Kit
7	014-127-00	2	Bushing Spacer/Liner
8	n/a	2	3/4-10 UNC x 4.5" LG HHCS
9	n/a	2	3/4-10 UNC Stover Lock Nut
10	n/a	8	3/8-16 UNC x 1.5" LG HHCS
11	n/a	8	3/8 Regular Split Lock Washer
12	n/a	8	3/8-16 UNC x 1" LG HHCS
13	n/a	2	1/4 NPTM x 1/4 T 90° Elbow, Swivel
14	n/a	2	1/4 x 6.25" LG Nylon Tube
15	n/a	2	Grommet
16	n/a	2	1/4 T Union Tee
17	n/a	2	1/4 T Plug

n/a - not available