

Sta-Rite System 3 SMD Series D.E. Filter Parts Diagram: Models S7MD60 and S7MD72

## Replacement Parts

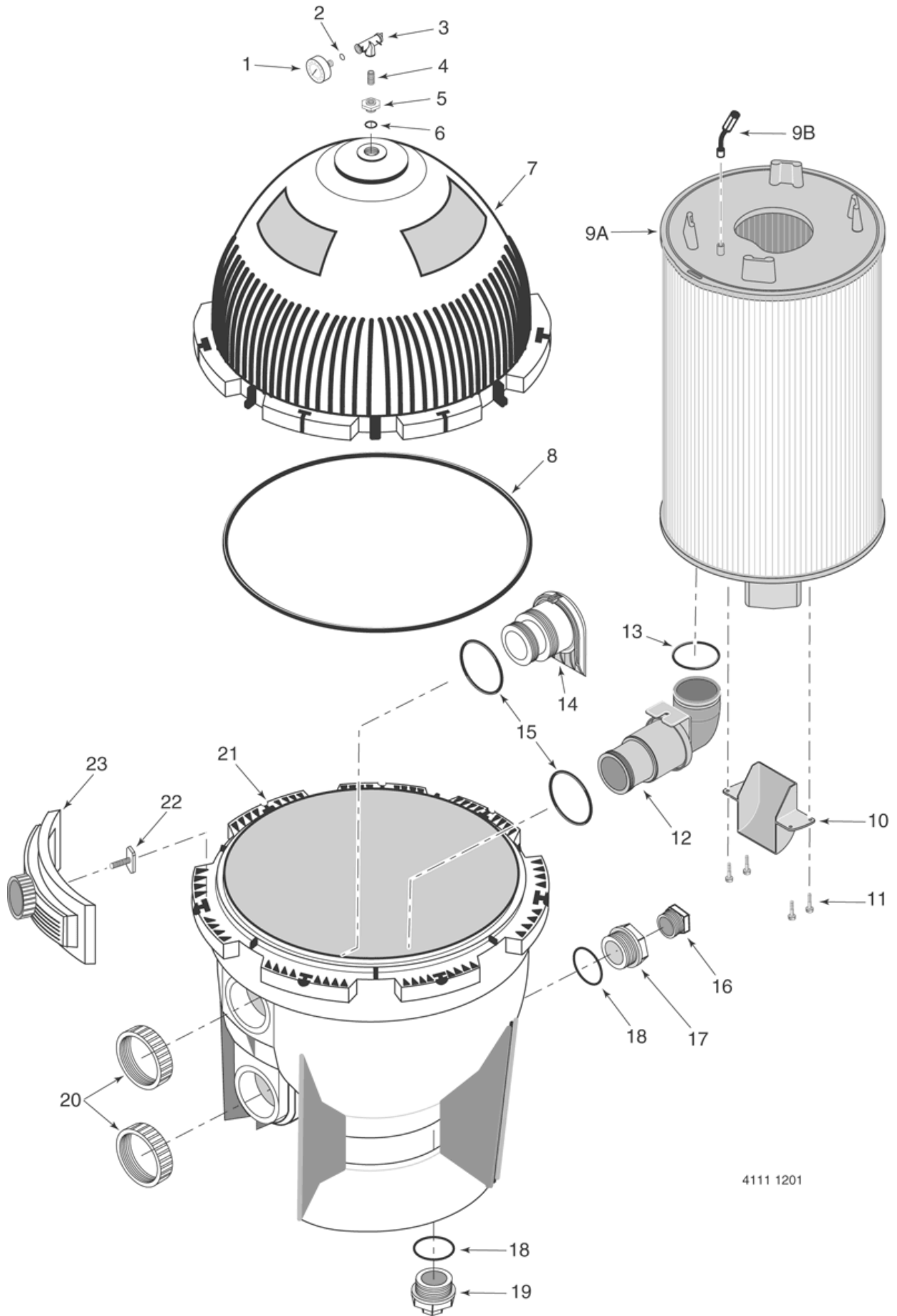
SYSTEM: 3 MODULAR D.E. FILTERS		
Item No.	Part No.	Description
1	15060-0000T	Pressure Gauge 2 in.
3	WC212-120P	Air Release Valve
4	35202-0959	Nipple
5	24900-0504	Adapter Bushing
6	35505-1423	O-Ring
7	24851-9000	Upper Tank Half Kit <sup>1</sup>
8	24850-0008	Tank O-Ring
9A	25023-0160S	Replacement Module
9A	25023-0172S	Replacement Module
9B	24800-0120	Air Bleed Assembly <sup>2</sup>
10	23910-0013S	Baffle Kit (with Screws) <sup>2</sup>
11	37027-7028	Baffle Screws <sup>2</sup>
12	23910-0100S	Elbow and Bulkhead Assembly <sup>3</sup>
13	35505-7438	O-Ring
14	23910-0101S	Deflector and Bulkhead Assembly
15	35505-1425	O-Ring

16	27001-0022	1-1/2 in. Plug
17	24900-0509	Adapter fitting
18	35505-1424	O-Ring
19	24900-0503	Sand Removal
20	24752-0050	Bulkhead Retaining Nut
21	24850-0102S	Lower Tank Half
22	24850-0010	Clamp Bolt
23	24850-0200	Clamp Assembly

**NOT SHOWN**

<b>Item No.</b>	<b>Part No.</b>	<b>Description</b>
	23910-1100S	System3 Modular DE Conversion Kit (Includes Key #'s 12, 13, 14, 15, 16)

- 1: Includes all decals and labels.
- 2: Included with Key No. 9A Replacement Module.
- 3: Includes O-Ring (Key No. 13).



4111 1201