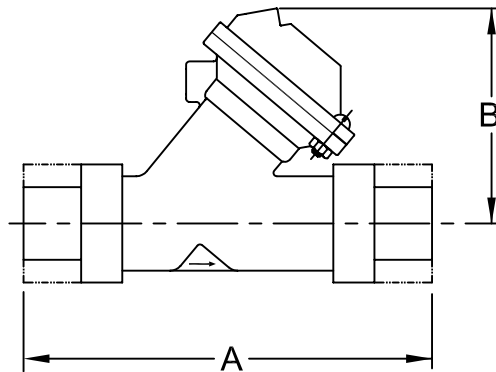


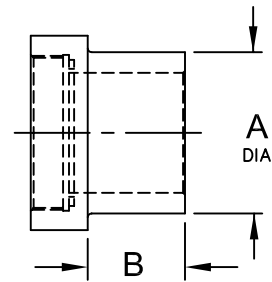
FEMALE SOCKET WELD END CONNECTOR KITS

VALVE SERIES	STANDARD	PART NO. *	DIAMETER A	DEPTH B
524	A.S.T.M. 2"	K524-UF08U_P	2.376/2.384"	1.50"
	I.S.O. NW-50	K524-UF50M_P	2.484/2.492"	1.50"
	J.I.S. 50	K524-UF50J_P	2.359/2.383"	1.50"
526	A.S.T.M. 2-1/2"	K526-UF10U_P	2.875"	1.81"
	I.S.O. NW-65	K526-UF65M_P	2.956/2.964"	1.81"
	J.I.S. 65	K526-UF65J_P	3.008"	1.81"

NOTE: ALL CONNECTOR KITS CONTAIN (2) CONNECTORS AND (2) O-RINGS* (ONE KIT REQ'D. PER VALVE)



VALVE SERIES	PIPE SIZE	UNITS	LENGTH A	HEIGHT B
524	2"	INCHES	10.50	5.06
		MM	266.7	128.5
526	2-1/2"	INCHES	15.00	7.31
		MM	381.0	185.7



MALE SOCKET WELD END CONNECTOR KITS

VALVE SERIES	STANDARD	PART NO. *	DIAMETER A	LENGTH B
524	A.S.T.M. 2"	K524-UM08U_P	2.375/2.370"	1.50"
	I.S.O. NW-50	K524-UM50M_P	2.490/2.486"	1.50"
	J.I.S. 50	K524-UM50J_P	2.384/2.364"	1.00"
526	A.S.T.M. 2-1/2"	K526-UM10U_P	2.882/2.868"	1.69"
	I.S.O. NW-65	K526-UM65M_P	2.965/2.953"	1.69"
	J.I.S. 65	K526-UM65J_P	3.017/2.997"	1.38"

O-RING FOR SOCKET WELD END CONNECTORS

VALVE SERIES	MATERIAL	PART NO.	O-RING IDENTIFIER
524	E.P.D.M.	1071750 ORE-226	E
	BUTYL	1079844 ORJ-226	J
	FKM	1071821 ORV-226	V
526	E.P.D.M.	1071753 ORE-232	E
	BUTYL	1071783 ORJ-232	J
	FKM	1071825 ORV-232	V

*WHEN ORDERING KITS, INSERT O-RING IDENTIFIER INTO PART NUMBER AS SHOWN BELOW
 EXAMPLE: K524-UF08UEP (2" FEMALE SOCKET WELD WITH E.P.D.M. O-RING)

O-RING IDENTIFIER

FORM NO. 1081311

A	RELEASE NEW DESIGN	1416	JWB	25JUL01	VP
REV	DESCRIPTION	ECO	DWN	DATE	APVD

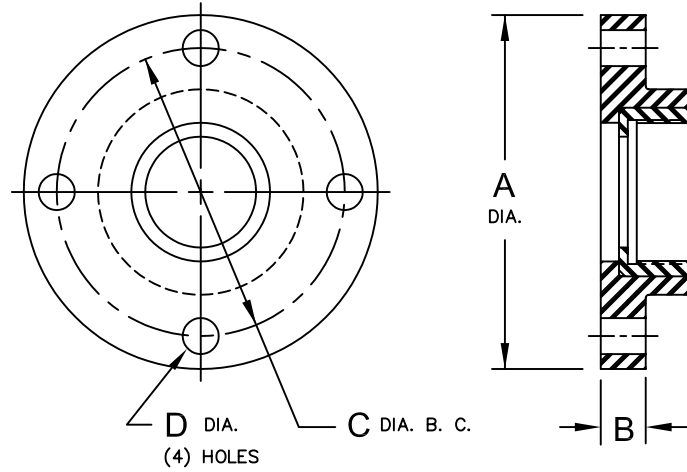
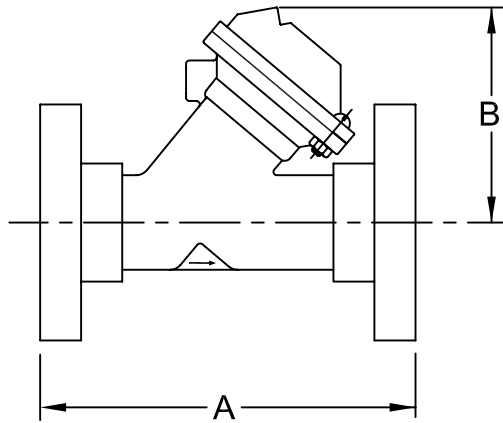


20580 Enterprise Avenue
 Brookfield, WI 53045
 888.784.9065
 www.Pentairwatertreatment.com

**SERIES 524, & 526 DIAPHRAGM VALVE
 END CONNECTOR PARTS & KITS**

SCALE	DRAWN	DATE	DWG. NO.
N/A	JWB	25JUL01	1078150

SEE FORM 1078142 FOR
 SOCKET WELD & PIPE ADAPTORS



FLANGED END CONNECTOR KITS

VALVE SERIES	PIPE SIZE	UNITS	LENGTH A	HEIGHT B
524	2"	INCHES	9.00	5.06
		MM	228.6	128.5
526	2-1/2"	INCHES	11.37	7.31
		MM	288.8	185.7
526	3"	INCHES	12.37	7.31
		MM	314.2	185.7

VALVE SERIES	STANDARD	PART NO.	DIAMETER A	THICKNESS B	DIAMETER C	DIAMETER D
524	A.S.T.M. 2"	1070250 K524-V	6.00"	.75"	4.750"	.688"
526	A.S.T.M. 2-1/2"	1070251 K526-L	6.94"	.94"	5.500"	.688"
	A.S.T.M. 3"	1070252 K526-T	7.38	1.81"	6.000"	.750"

NOTE: ALL CONNECTOR KITS CONTAIN (2) CONNECTORS, (ONE KIT REQ'D PER VALVE)

O-RING FOR SOCKET WELD END CONNECTORS

VALVE SERIES	MATERIAL	PART NO.
524	E.P.D.M.	1071750 ORE-226
	BUTYL	1079844 ORJ-226
	FKM	1071821 ORV-226
526	E.P.D.M.	1071753 ORE-232
	BUTYL	1071783 ORJ-232
	FKM	1071825 ORV-232

SEE FORM 1078142 FOR SOCKET WELD & PIPE ADAPTORS

FORM NO. 1081311

A	RELEASE NEW DESIGN	1416	JWB	25JUL01	VP
REV	DESCRIPTION	ECO	DWN	DATE	APVD
		20580 Enterprise Avenue Brookfield, WI 53045 888.784.9065 www.Pentairwatertreatment.com			
SERIES 524, & 526 DIAPHRAGM VALVE END CONNECTOR PARTS & KITS					
SCALE	DRAWN	DATE	DWG. NO.		
N/A	JWB	25JUL01	1078150		