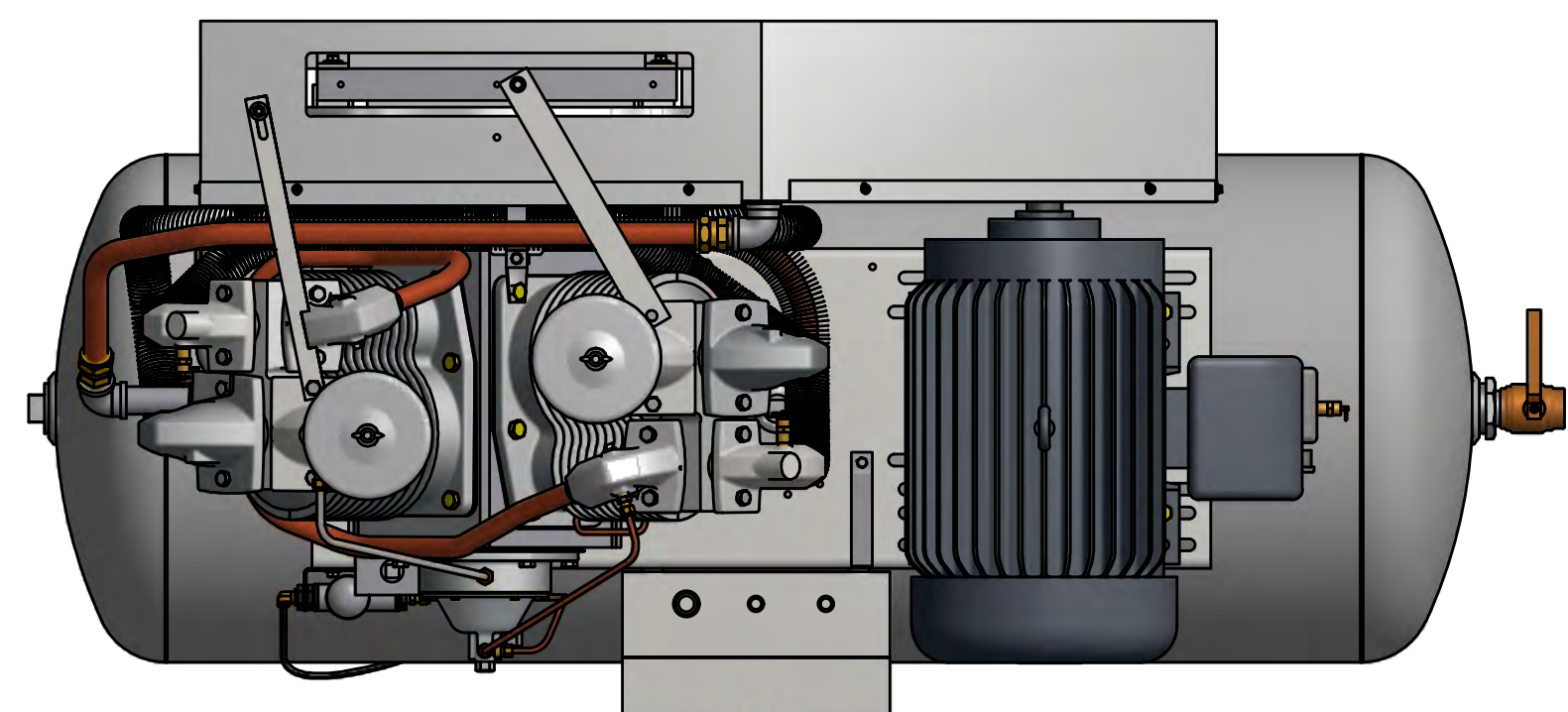
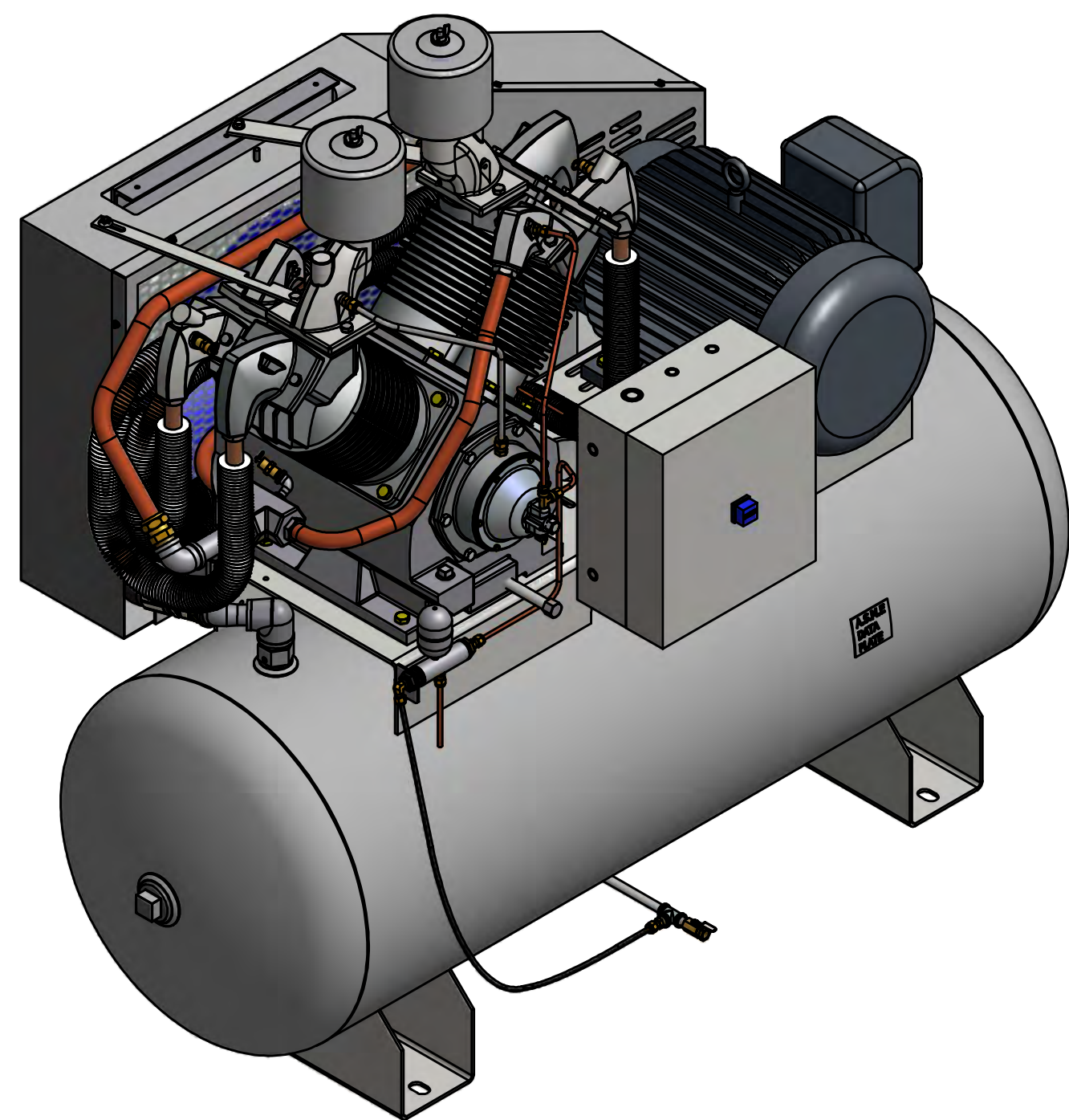


ZONE		REV	DESCRIPTION	DATE	DWN	CHK
		A	RELEASED PER ECN 1080943			



STARTER (OPTIONAL)

COMPRESSOR: R70A

LOW OIL SAFETY CONTROL BEHIND STARTER (OPTIONAL)

MOTOR: 20 HP (HRA20-12)
25 HP (HRA25-12)
30 HP (HRA30-12)

PRESSURE SWITCH

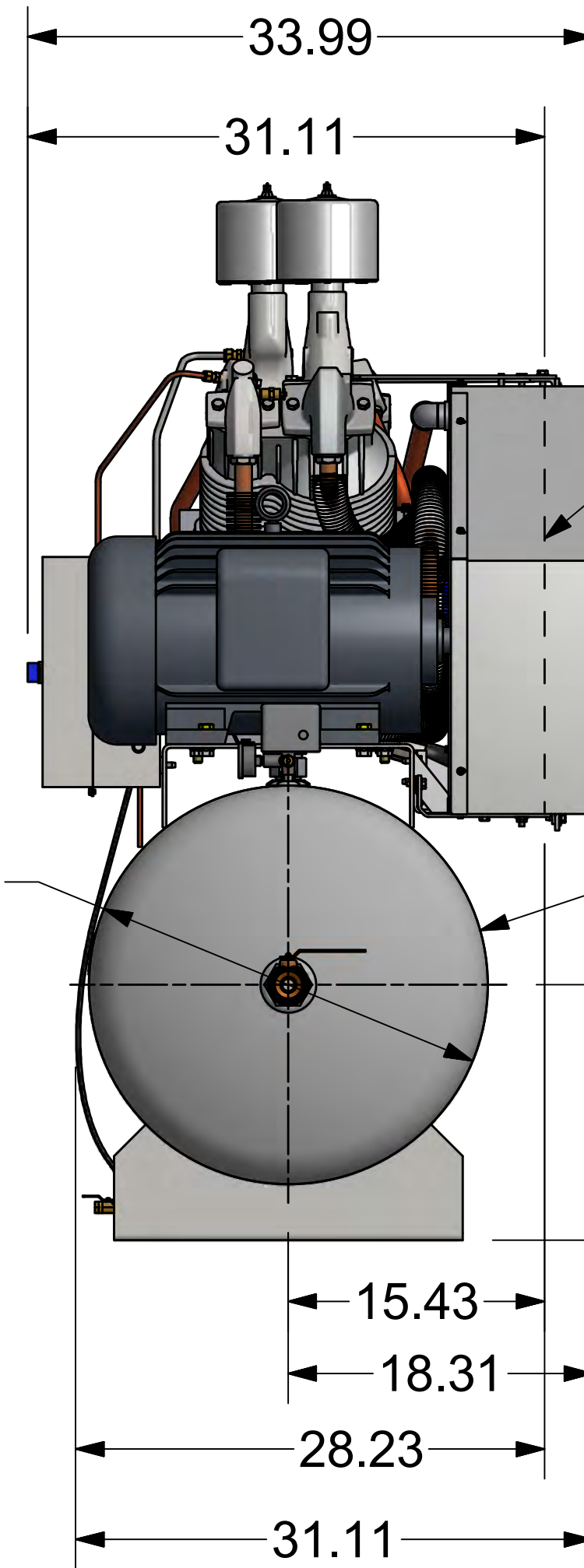
PRESSURE GAUGE

ASME PRESSURE RELIEF VALVE

1-1/4 NPT VALVE

AUTOMATIC TANK DRAIN (OPTIONAL)

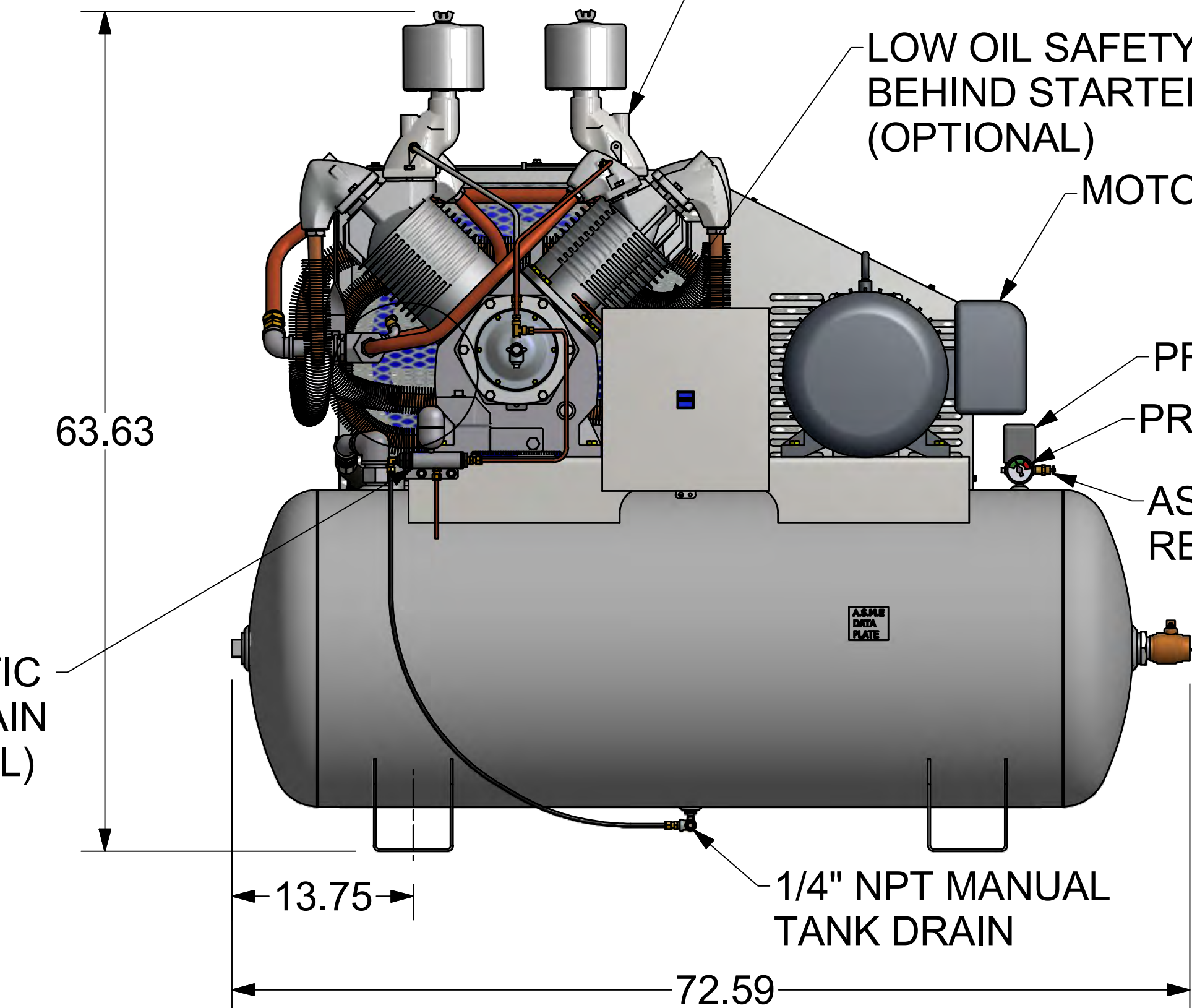
1/4" NPT MANUAL TANK DRAIN



AIRCOOLED AFTERCOOLER INSIDE BELTGUARD (OPTIONAL)

STANDARD BELT GUARD

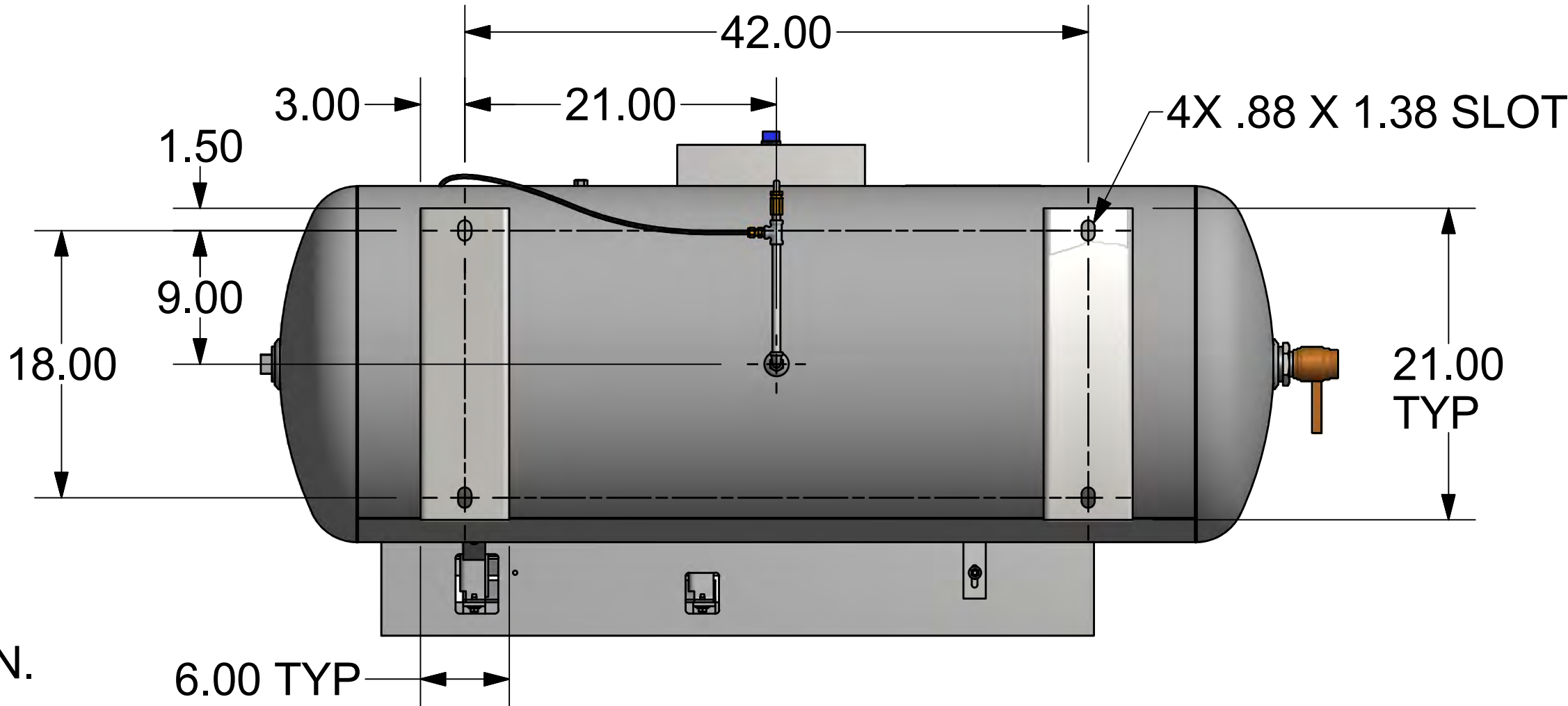
120 GALLON ASME RECEIVER



63.63

13.75

72.59



3.00

42.00

21.00

4X .88 X 1.38 SLOT

1.50

9.00

18.00

21.00 TYP

6.00 TYP

- NOTES:
- DO NOT SCALE DRAWING.
 - SPECIFICATIONS AND DIMENSIONS ARE SUBJECT TO CHANGE WITHOUT NOTICE OR OBLIGATION.
 - ALL DIMENSIONS IN INCHES.
 - ADD 1.00" TO HEIGHT FOR VIBRATION ISOLATION OPTION.

FINISH OF CHAMFERS AND FILLETS TO CONFORM TO ROUGHEST ADJACENT AREA. SURFACE ROUGHNESS MAXIMUM PER ASME B46.1. FULL THREAD DEPTHS ARE MINIMUM.		CONFIDENTIAL - THE INFORMATION CONTAINED IN THIS DOCUMENT IS THE PROPERTY OF GARDNER DENVER, INC. IT IS NOT FOR PUBLIC DISCLOSURE. POSSESSION OF THE INFORMATION DOES NOT CONVEY ANY RIGHT TO LOAN, SELL OR DISCLOSE THE INFORMATION. UNAUTHORIZED REPRODUCTION OR USE OF THE INFORMATION IS PROHIBITED. THIS DOCUMENT IS TO BE RETURNED TO GARDNER DENVER, INC. UPON THE COMPLETION OF THE PURPOSE FOR WHICH IT IS LOANED OR UPON REQUEST.	
UNLESS OTHERWISE SPECIFIED DIMENSIONS ARE IN INCHES		DIMENSIONING AND TOLERANCING PER ASME Y14.5-2009 THREADS PER ASME B1.1 GAGING SYSTEM 21 U.O.S., ANSI B1.20.1 & B1.20.3	
TOL. ON DECIMALS: .X = ± .05 TOL. ON DECIMALS: .XX = ± .02 TOL. ON DECIMALS: .XXX = ± AS SPECIFIED TOL. ON ANGLES: ± 0°-30'		Gardner Denver Gardner Denver Inc. Quincy, IL.	
THIRD ANGLE PROJECTION		HEAT TREATMENT ENG. REF:	
DWN BY KWT 1/31/2014 CKD BY DA 1/31/2014		TITLE OUTLINE-BARE UNIT HRA20-12, HRA25-12, HRA30-12	
SCALE 1/9		REV A	
SHEET 1 OF 1		337CAS800	