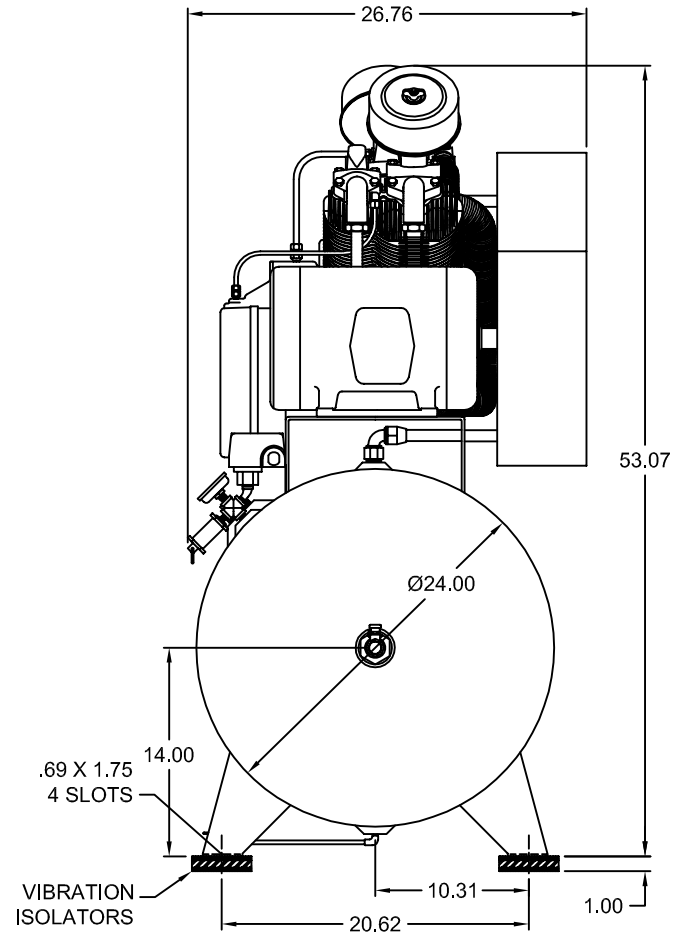
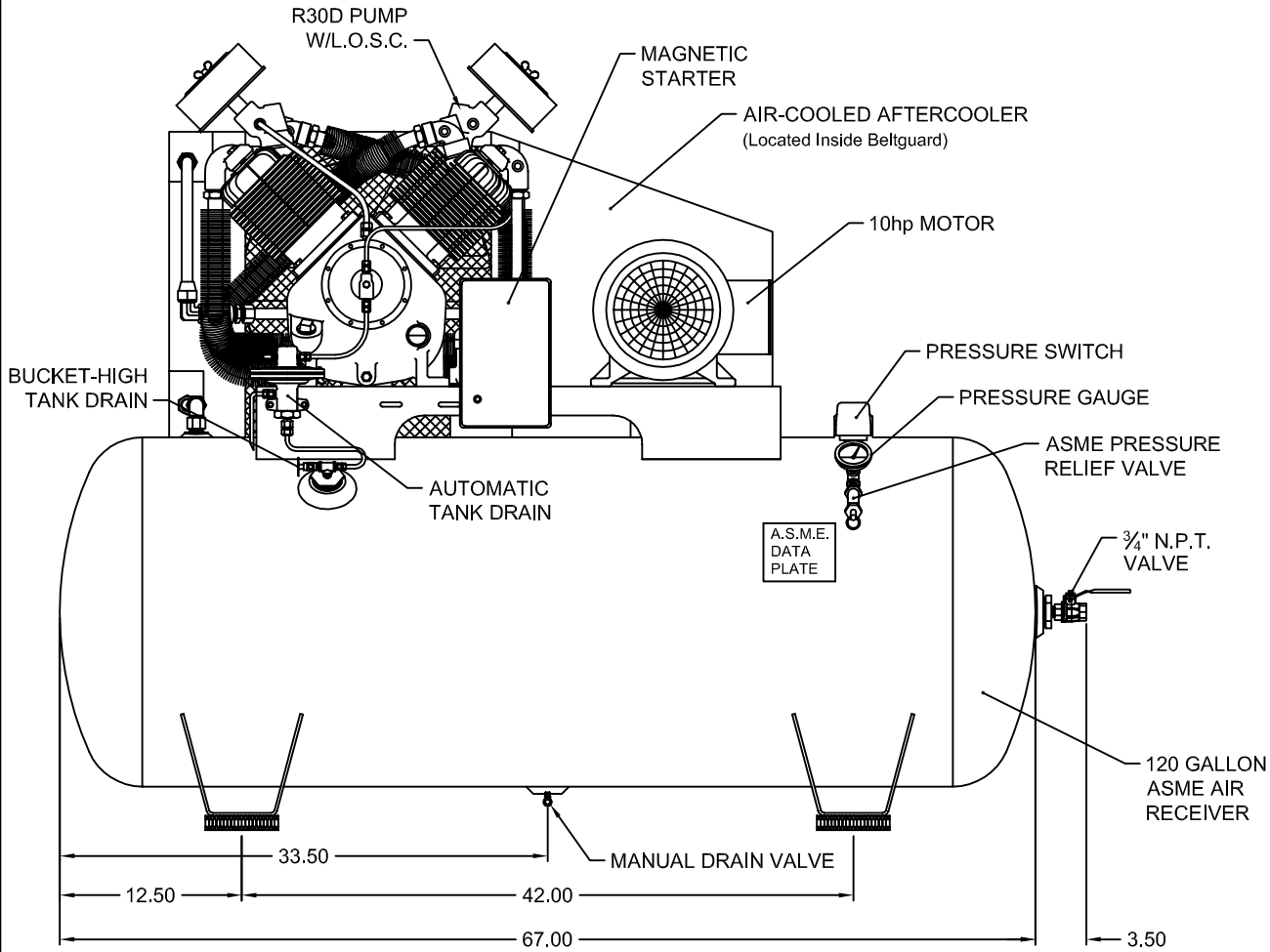


- NOTES: 1..DO NOT SCALE PRINT, TYPICAL DIMENSIONS ONLY.
 2..SPECIFICATIONS AND DIMENSIONS ARE SUBJECT TO CHANGE WITHOUT NOTICE OR OBLIGATION.
 3..ALL DIMENSIONS IN INCHES.
 4..34.8CFM @ 175 PSI.

UNCONTROLLED COPY



NOTICE:

REFERENCE DRAWING ONLY MAY NOT INCLUDE SPECIFIC ACCESSORY ITEMS FOR ANY PARTICULAR ORDER.

CHAMPION- A GARDNER DENVER COMPANY
 MCGUIRE AIR COMPRESSORS

<i>UNIT MODEL</i>	PRINT NO.:
	DD-B-185-A
HR10-12	DRAWN BY: M.D.H.
	DATE: 12-09-1999
	CHK'D BY:
	DATE: