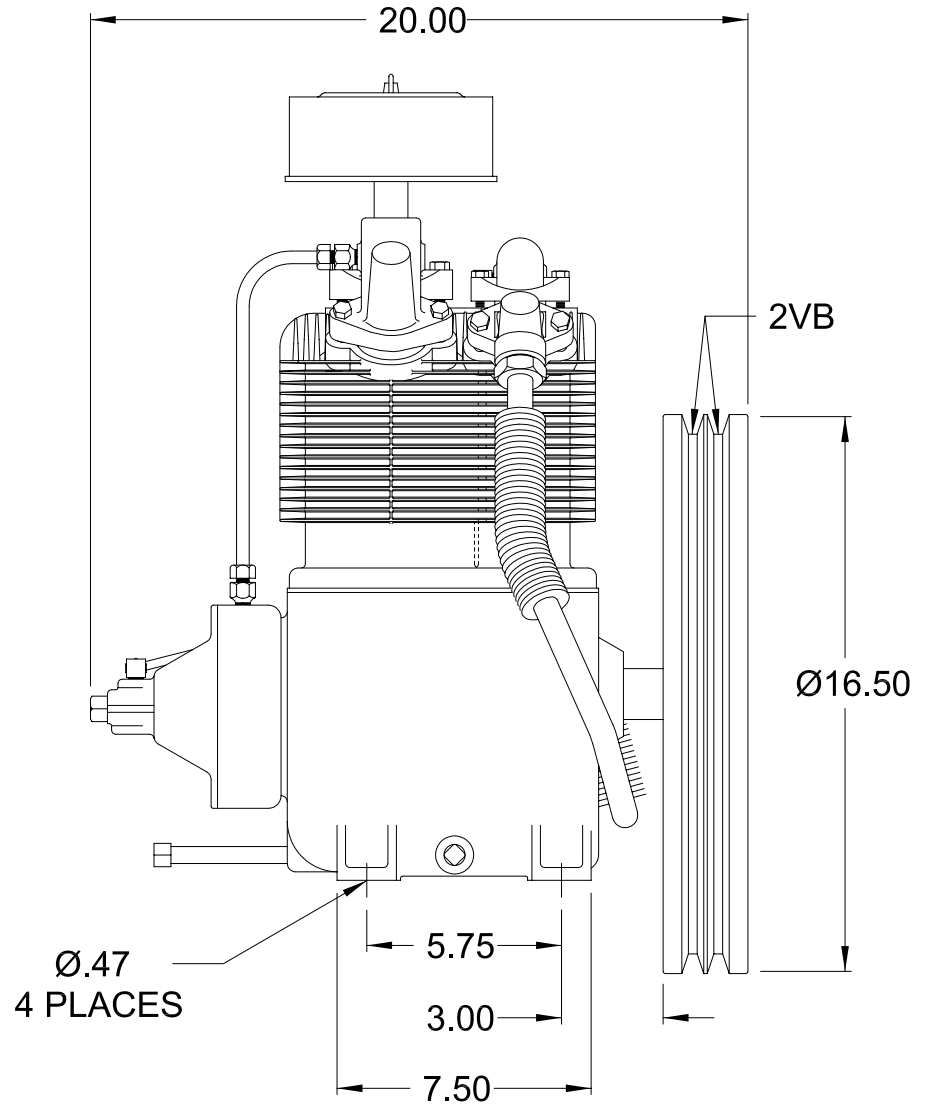
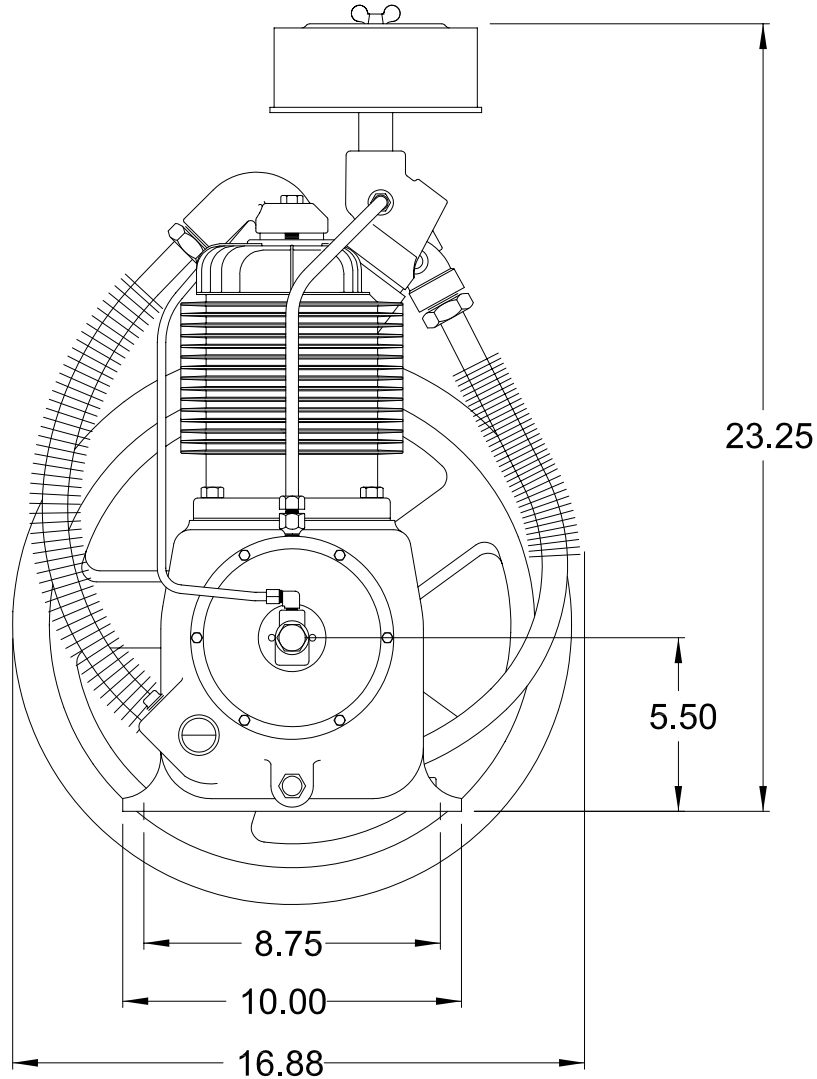


NOTES:

- 1..DO NOT SCALE PRINT, TYPICAL DIMENSIONS ONLY.
- 2..SPECIFICATIONS AND DIMENSIONS ARE SUBJECT TO CHANGE WITHOUT NOTICE OR OBLIGATION.
- 3..ALL DIMENSIONS IN INCHES.



NOTICE:

REFERENCE DRAWING ONLY MAY NOT INCLUDE SPECIFIC ACCESSORY ITEMS FOR ANY PARTICULAR ORDER.

<i>UNIT MODEL</i>	PRINT NO.:
	DD-B-147
R10D & R15B PUMPS	DRWN BY: M.D.H.
	DATE: 2-10-93
	CHK'D BY: