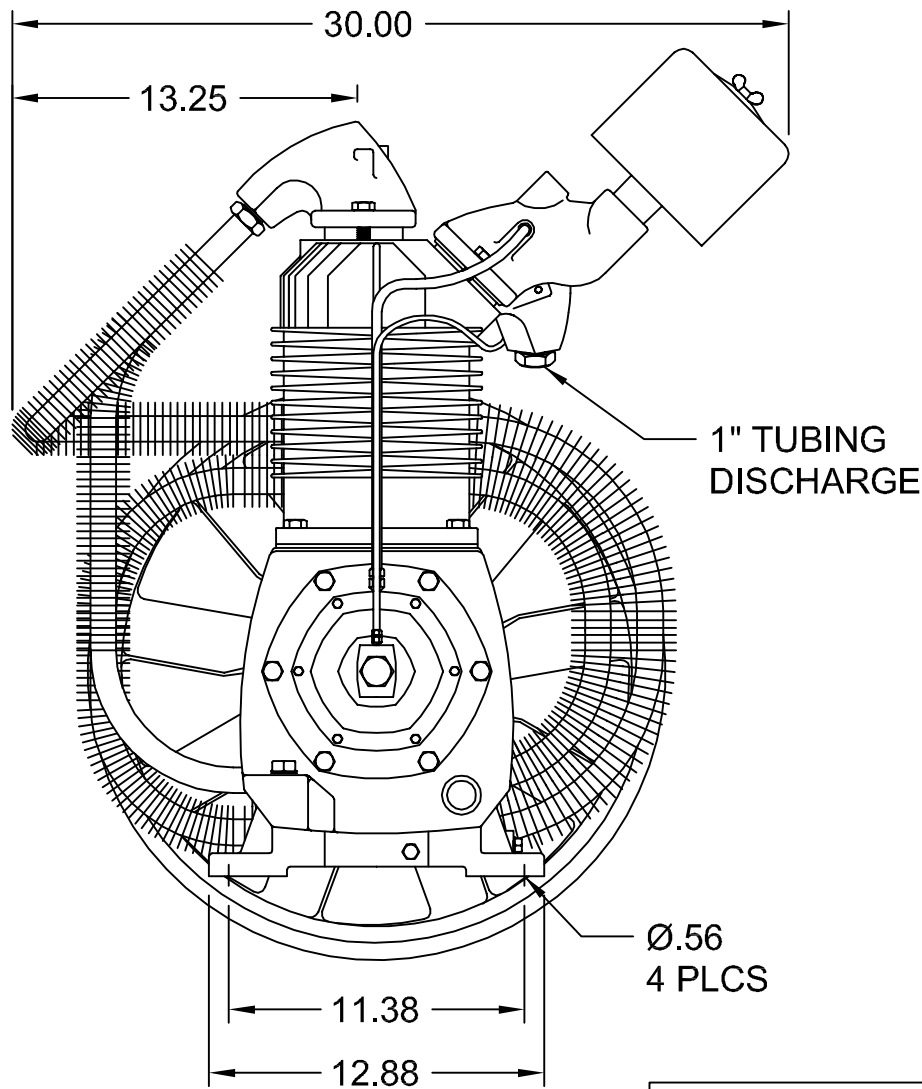
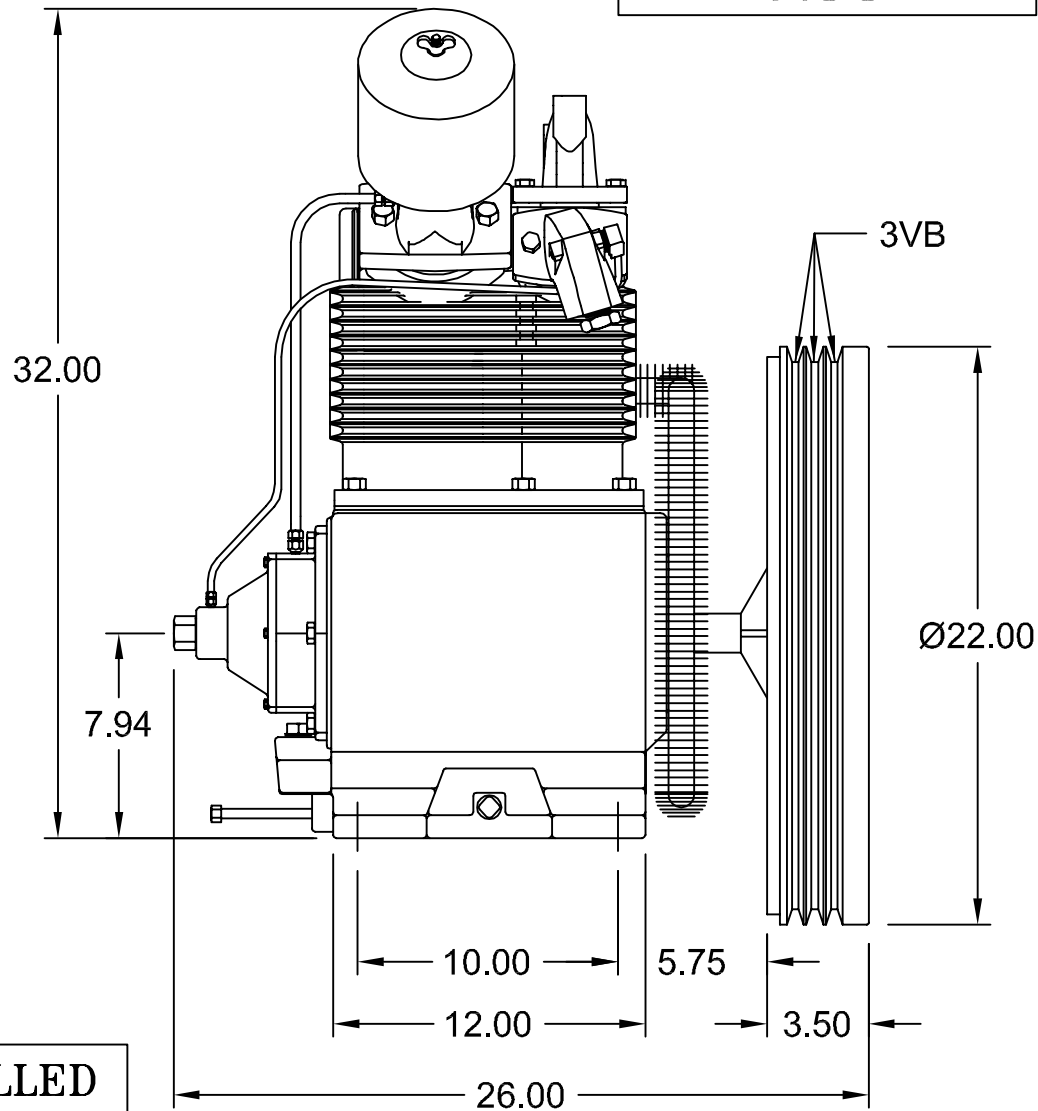


UNCONTROLLED COPY



UNCONTROLLED COPY



NOTES:

1. REFERENCE DRAWING ONLY. MAY NOT INCLUDE SPECIFIC ACCESSORY ITEMS FOR ANY PARTICULAR ORDER.
2. DO NOT SCALE PRINT. TYPICAL DIMENSIONS ONLY.
3. SPECIFICATIONS AND DIMENSIONS ARE SUBJECT TO CHANGE WITHOUT NOTICE OR OBLIGATION.
4. ALL DIMENSIONS IN INCHES.



UNIT MODEL

R40A PUMP

PAGE 1 OF 1

PRINT NO.:
DD-B-0149

DRWN BY: M.D.H.

DATE: 10-06-2004

CHK'D BY:

REV

B