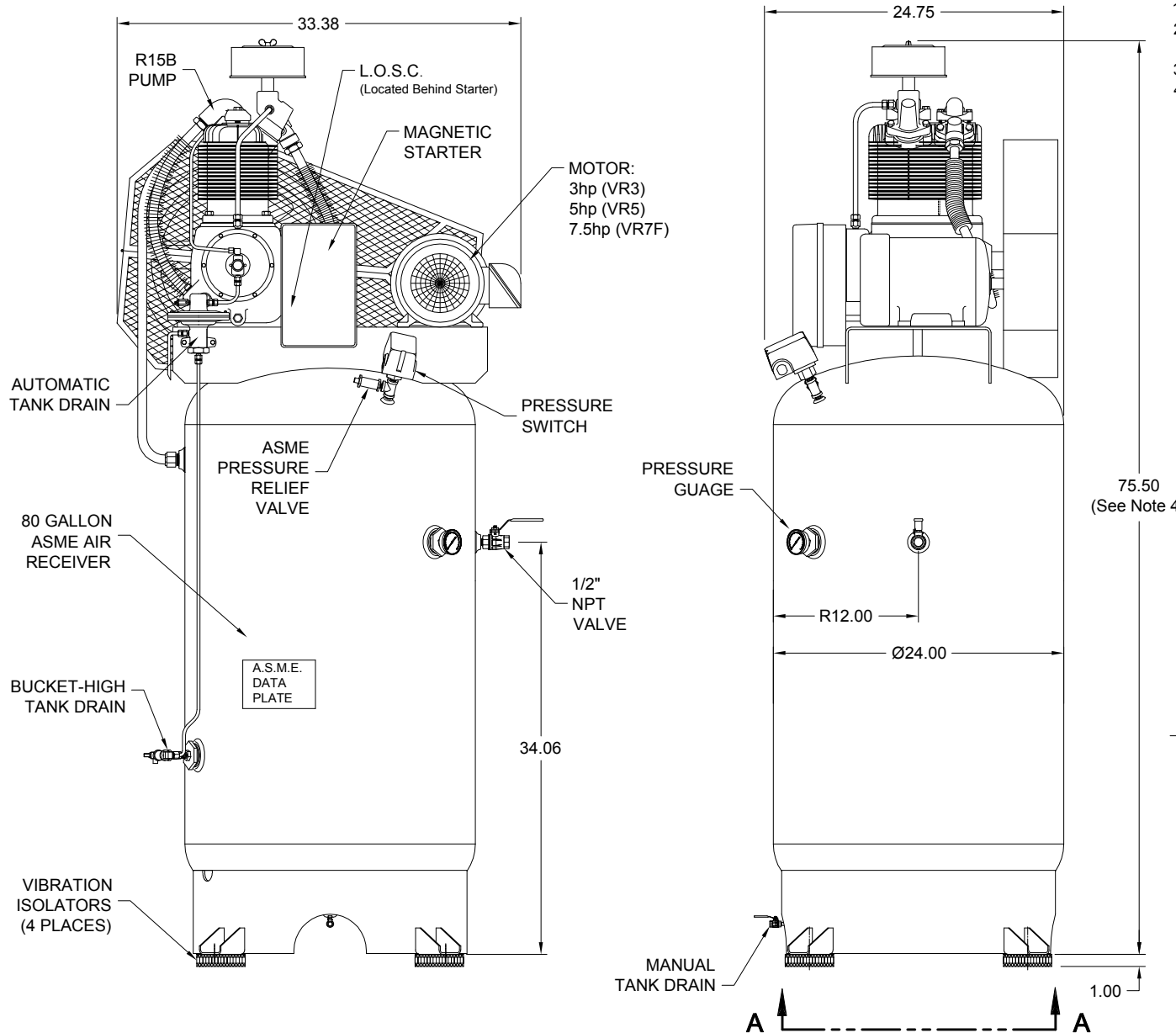


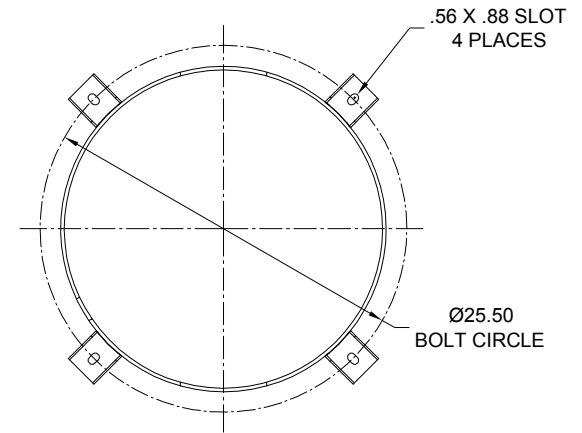
DD-B-784-A



NOTES:

1. DO NOT SCALE PRINT. TYPICAL DIMENSIONS ONLY.
2. SPECIFICATIONS AND DIMENSIONS ARE SUBJECT TO CHANGE WITHOUT NOTICE OR OBLIGATION.
3. ALL DIMENSIONS IN INCHES.
4. 16.5 CFM @ 175 PSI.

UNCONTROLLED COPY



VIEW A-A

VIBRATION ISOLATORS NOT SHOWN

NOTICE:

REFERENCE DRAWING ONLY. MAY NOT INCLUDE SPECIFIC ACCESSORY ITEMS FOR ANY PARTICULAR ORDER.

CHAMPION - A GARDNER DENVER COMPANY

UNIT MODEL	PRINT NO.:
	DD-B-784-A
VR5-8	DRWN BY: M.D.H.
	DATE: 12-09-1999
	CHK'D BY:
	DATE: